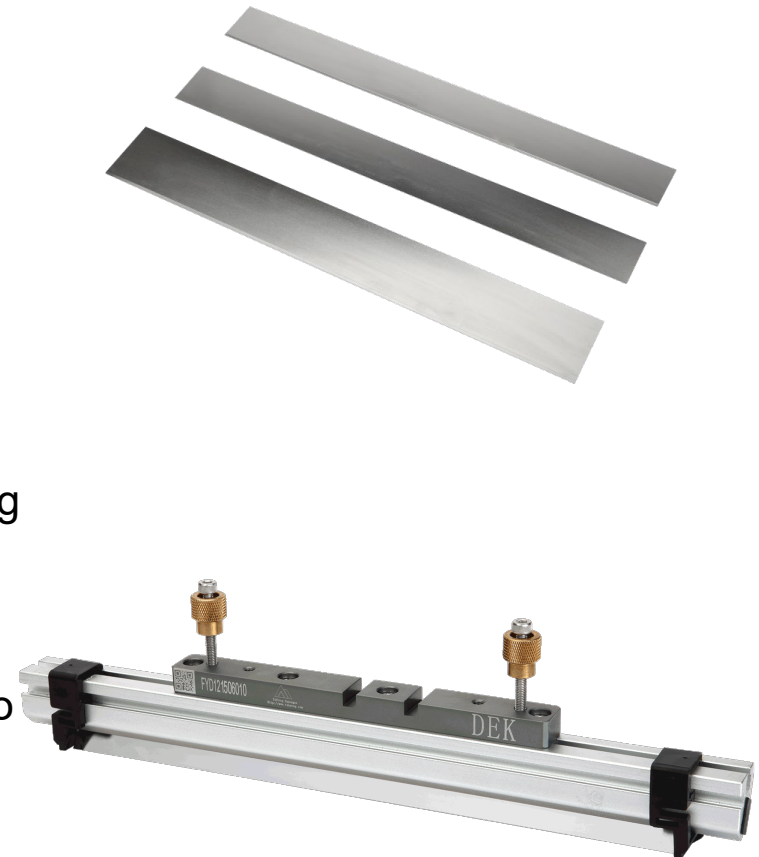


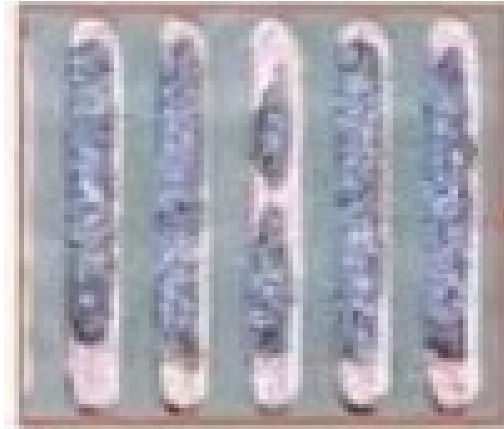
SM Squeegee for printing machine

Product Feature

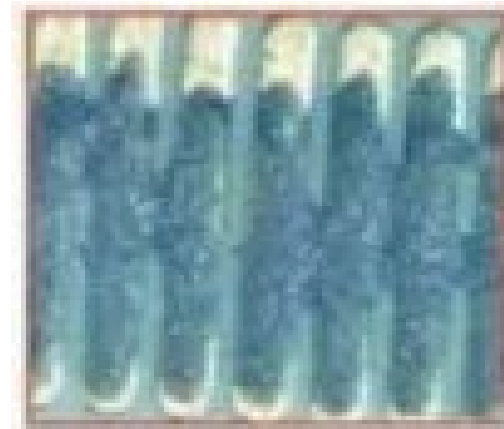
1. blade support made of the special aluminum section is light, beautiful, simple and durable and you can set the blade length as you like. The fixing method of the blade adopted the magnetic reverse fixed slot and no need screw locking. It is at utmost saving the time of blade replacement and cleaning.
2. Intelligent solder paste edge, can automatically adjust the height, always keep close to the stencil and blade, using special material, reduce friction with the stencil, with perfect effect without damaging the stencil, greatly reducing the waste of solder paste, to save raw material costs for you.
3. The blade uses the new steel to resolve the problems such as wetting, lack of toughness and so on at a greater extent, making the printing effect better.



Have you ever face these problem in the printing process?

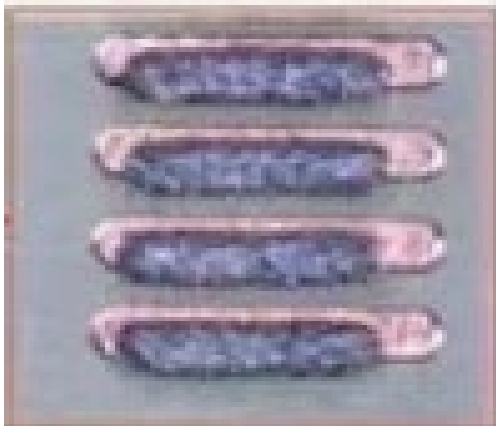


incomplete??



spillover??

Solder paste

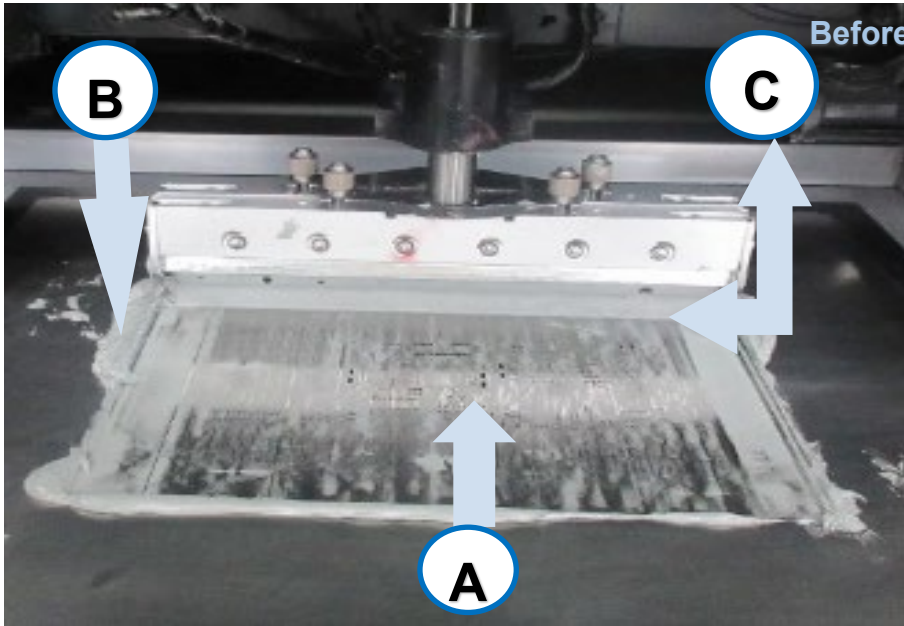


deviation??



solder projection??

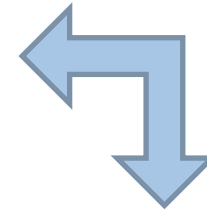
Do you have the same problem as follow??



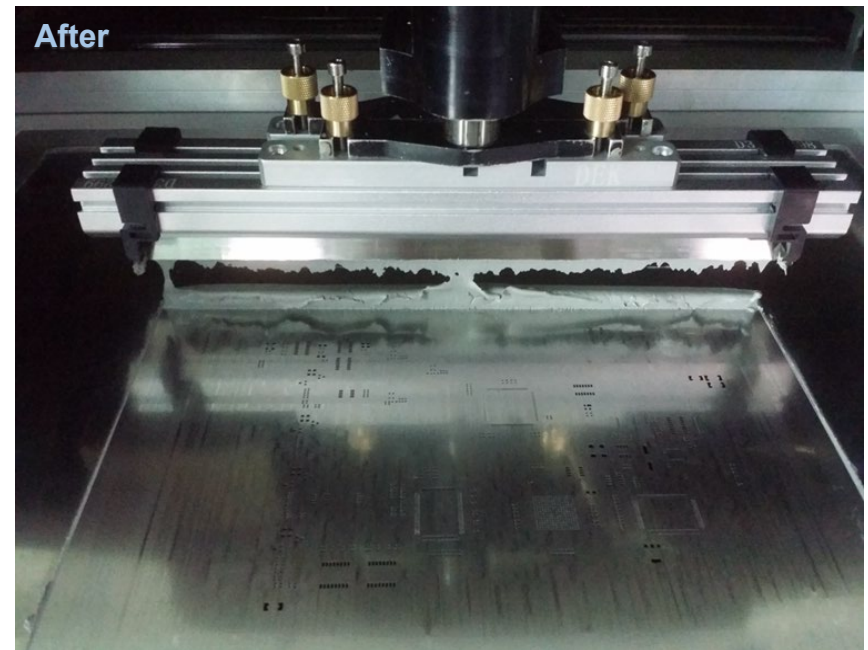
A、 Causing bridged、 pseudo soldering、 solder projection and other problem

B、 Poor edge will waste of solder paste, causing solder paste spillover、 solder paste curing and so on

C、 The solder paste can not completely separated from squeegee, and it will fall into the stencil when printing, causing too much paste or the icicles

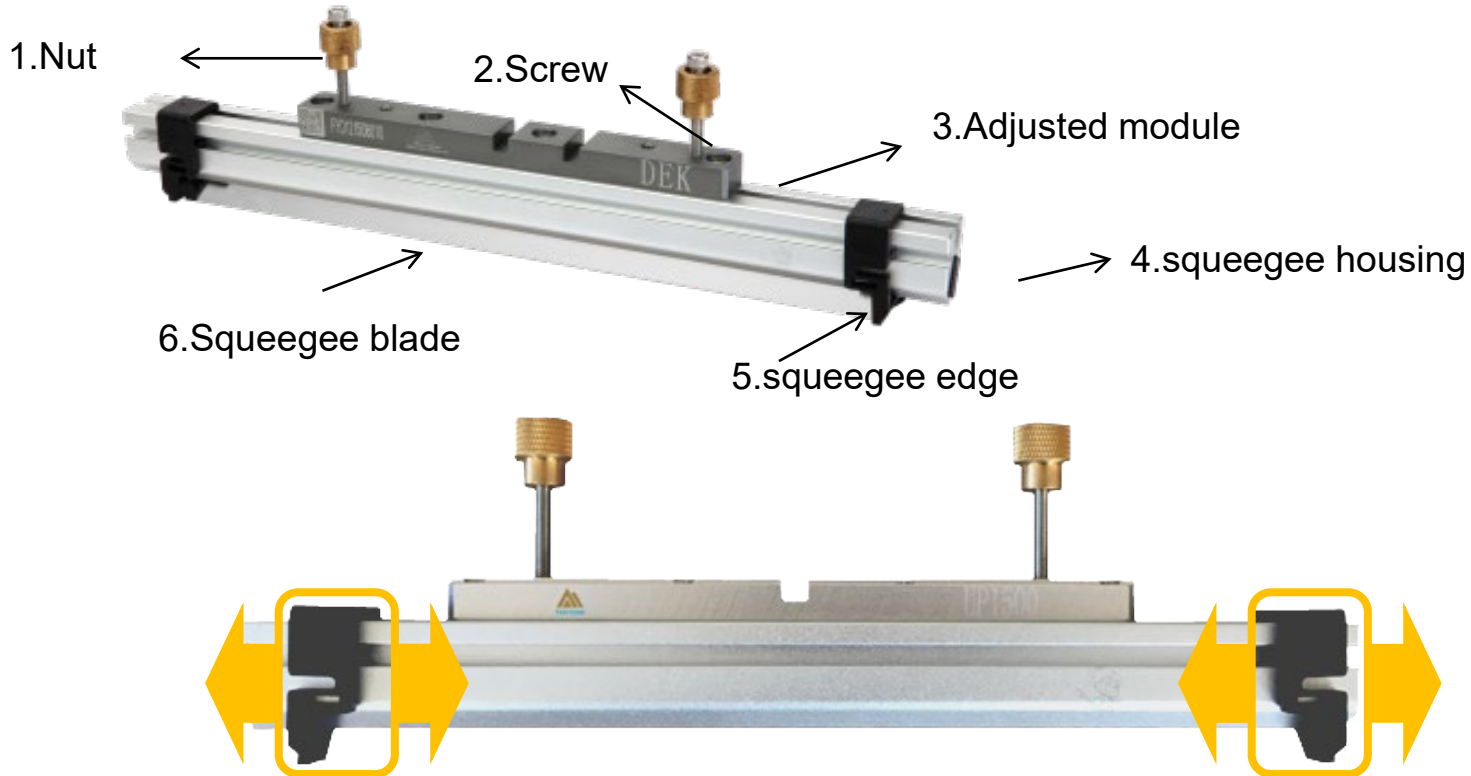


Then, we can help



Perfect effect without damaging the stencil

The SM Squeegee used the magnetic reverse fixed slot style which made the installation and cleaning be more fast and convenience. The blade can be replaced easily without any screw tools.



Movable solder paste edge, should be different length of different length of product replacement blade, reaching a multi-purpose

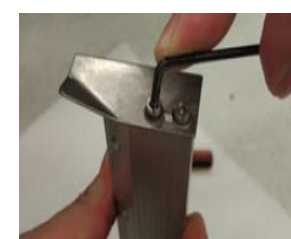
Comparison of disassembly and assembly time

Less than 1 minute



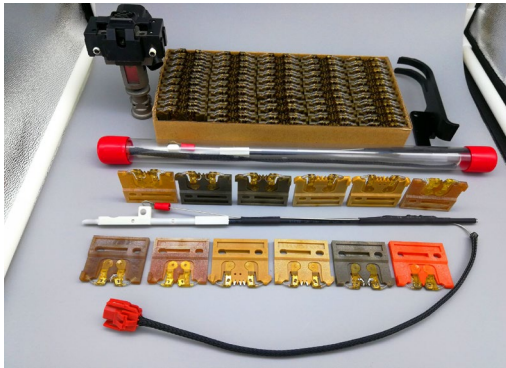
SM squeegee are magnetic adsorption type knife holder, the blade can be directly removed, easy to remove, easy to clean

Over than 5 minute



Common squeegee need to dismantle screw, pressing parts, cleaning and disassembly troublesome, time-consuming.

Spare Parts Support



Universal Spare parts



Panasonic



Universal Instruments



Best After-sales service

- **Worldwide Support**
- **Free Installation/ Training**
- **1 day lead-time (spare parts)**
- **1 Month customize solution**



Welcome inquiry

1. One-stop Shopping, Providing Quality Smt Peripheral Equipment,
2. Experienced Engineers Provide After-sales Installation & Training Services.
3. Customized Solutions.
4. All Equipment Has Ce Certification, UI Certification.RoHS Certification
5. Provide Sea Freight, Customs Clearance Delivery Service. Buying Ai Smt Accessories Free Shipping
6. **WhatsApp/shype: +86 133602562576.**
7. **Email: jasonwu@smthelp.com**

OUR CLIENTS

