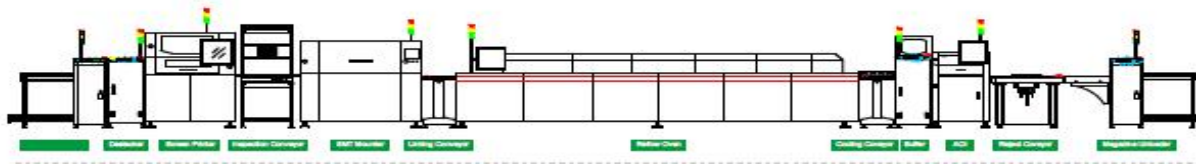


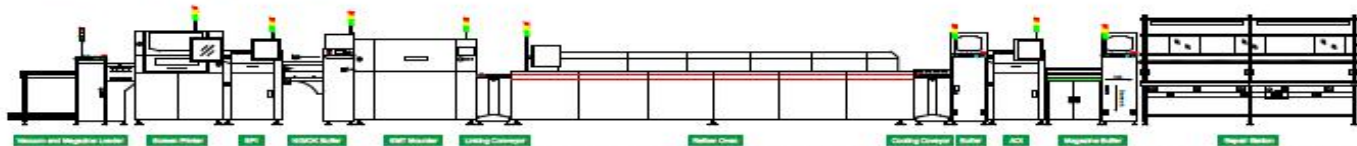
# Your Solid & Flexible One-Stop Partner of **SMT Solution**

- Design and manufacture SMT & Auto Insertion (THT) machine over 20 yrs
- Customize SMT Line Layout all over the world
- Provide All Brand Spare Parts with warranty

**Economic SMT Production Line**



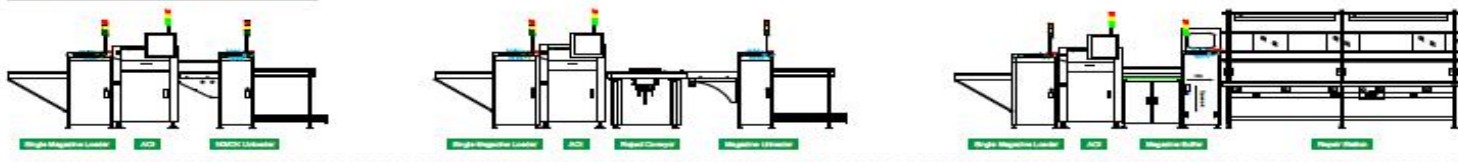
**Medium-Volume SMT Production Line**



**High-Volume Fully Automatic SMT Production Line**



**Automated Optical Inspection Line**



# Why Odd Form Feeder

*Enable your SMT machine with Auto Insertion Function*



- Low Cost: **\$50~70K** for THT Machine VS **\$5~8K** for Odd form Feeder
- High ROI: Save Significantly labor cost of Manual Insertion

# Why Southern Machinery

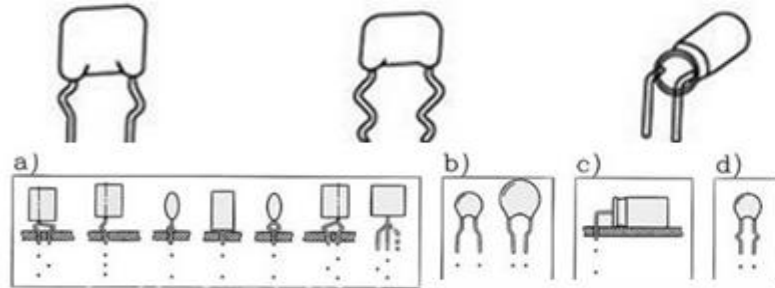
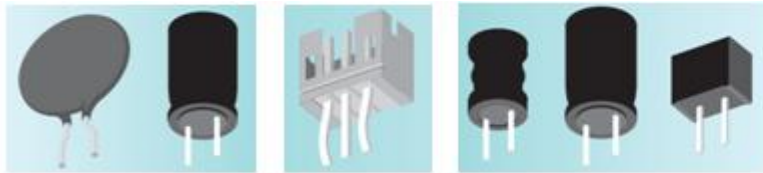
- 20 yrs+ experience in SMT & Auto Insertion Solution  
Exsiting Customer include **GE, Bosch, Philips, Flex, Jabil, Juki**
- **Patent Owner** of Odd form Feeder
  - 1 Invention Patent & 2 New Practical Patents for THT radial feeder
  - More Patents under application



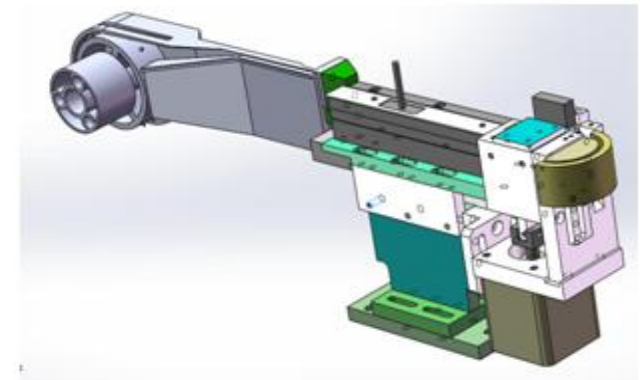
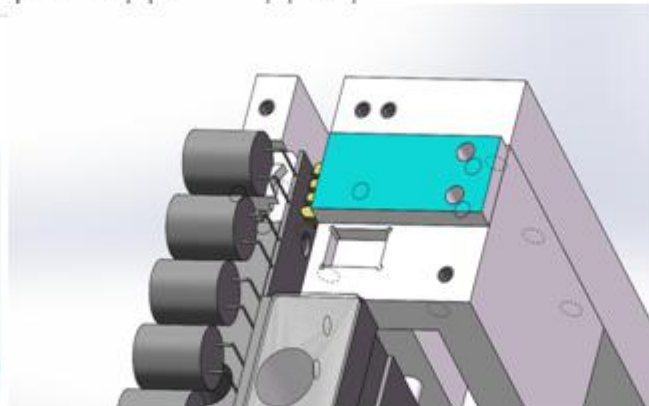
- **Successul Cases**
  - [Our YTube Page](#)
  - Pls Contact us for more videos of customized Odd form Feeder

# RF1000 Radial Tape Feeder

**Radial Tape Feeder** enable SMT pick and place machine achieve Auto Insertion function on radial lead components Like ecaps, boxcaps, MOVs, LEDs,etc



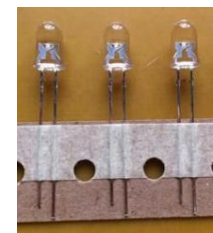
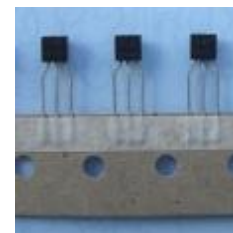
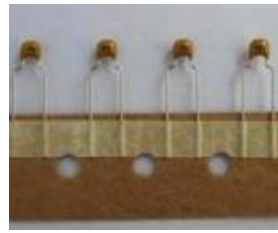
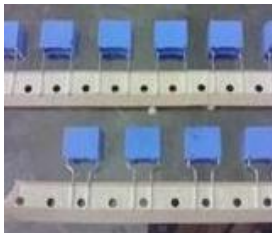
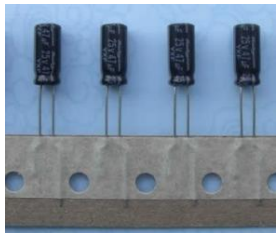
Auto insertion  
with mounters:



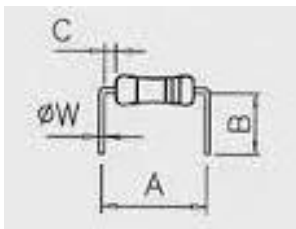
# RF1000 Radial Tape Feeder



Model	RF1000
Component Body	Cylindrical: $\phi 3-\phi 10\text{mm}$ ; Rectangle: W5-10mm, L5-25mm
Component Height	5mm-25mm
Tape pitch	12.7mm or 25.4mm
Lead Dia	0.4mm-1.0mm
Lead Span	2.5mm-25mm
Lead Length	2.5mm-5mm
Feeding	Motor or Pneumatic drive
Cycle time	1.5s-2s
Component Range	E-cap, Inductor, Terminal
Component Input	Taped package
Dimension	500 (L)x100 (W) x165 (H)

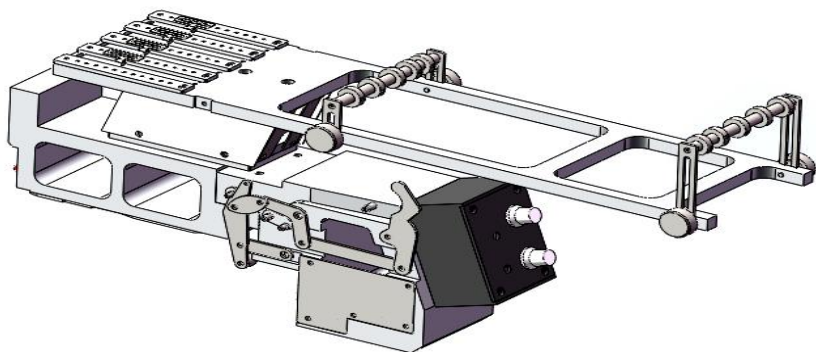


# AF2000 Axial Tape Feeder



Model	AF2000
Component Size	3x3mm-6x20mm
Tape pitch	5mm、10mm、15mm、20mm、Customize
Tape & Reel Width	35mm、64mm、92mm
Lead Length	2.5mm-5mm,Customize
Feeding	Pneumatic drive
Cycle time	1.5s-2s
Component Range	Resistor、Diode、JW,etc
Component Input	Taped package
Diminsion and weight	730x95x212mm, 8KG

# VF3000 Vibration Tube Feeder



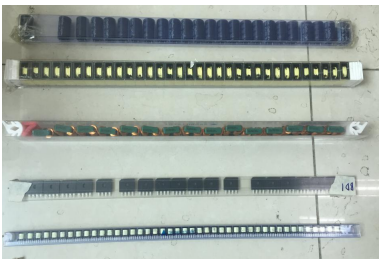
Model	VF3000
Component Size	5x5mm-10x10
Feeding	Vibration Drive
Cycle time	2s-3s
Component Range	IC
Component Input	tube package
Diminision	400 (L)x100 (W) x165 (H)



# TF4000 Multi Tube Feeder



Model	TF4000
Component Size	5x5mm-25x25mm
Tube Length	300mm-650mm
Feeding	Motor Drive
Cycle Time	1.5s-2s
Component Length	Transformer、Relay、Transistor
Component Input	tube package
Diminsion	1480 (L)x100 (W) x165 (H)



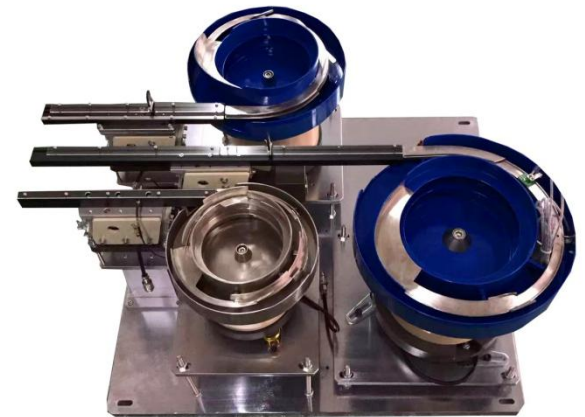
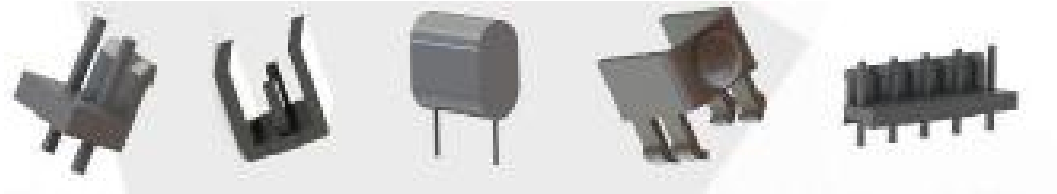
# TRAF1000 Tray Feeder



Model	TRAF1000
Component Size	3x3x3-50x50x50mm
Tray Size Max Weight	150x150-200x300mm <3Kg
Max Tray Qty	40 Trays with height <10mm 20 Trays with height >10mm
Drive method	Servo motor
Motor Speed	3000 RPM
Component Input	Tray package
Feeder Diminsion Weight	1160x790x1530mm 75KG

# BF2002 Vibratory Bowl Feeder

Vibratory Bowl Feeder are applicable for components in bulk package, such as terminal, capacitor, transformer etc



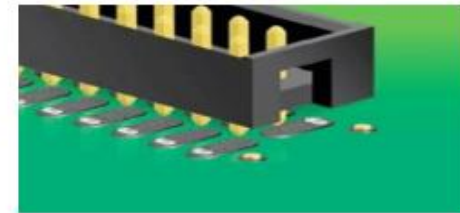
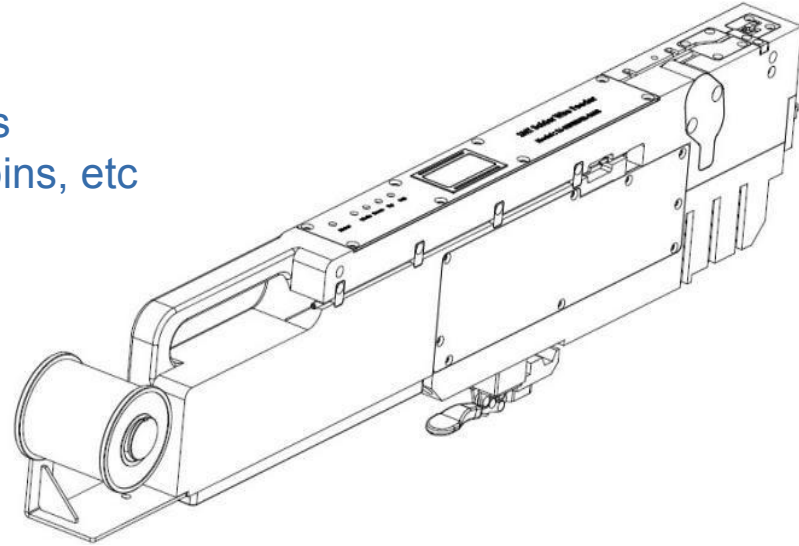
# LF1000 LABEL FEEDER

- Automatic assembly instead of Manual. Reduce cost, Improve efficiency.
- Button Control. Easy Use.
- Applications with media size 3x3 to 3x28mm (width x length) can be picked with standard nozzles.
- Configurations available for < 3mm applications. Optional Platform up to 58x50mm



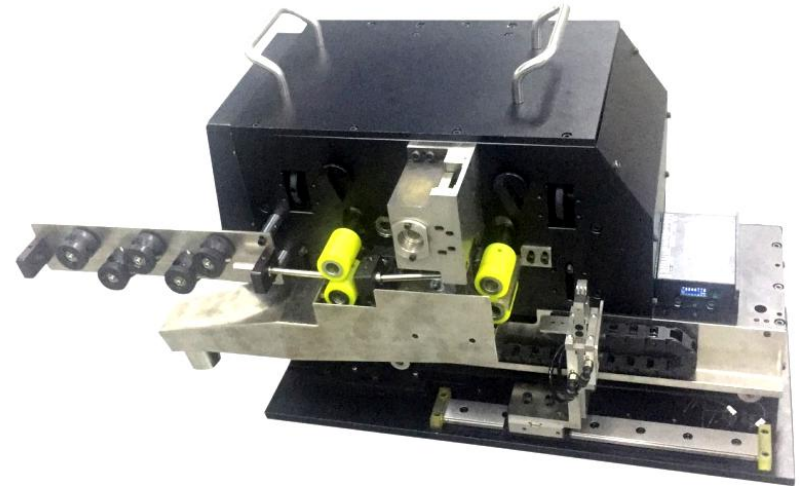
# RTS-103 Solder Feeder

- Applicable : Components need multi times soldering, Like 3 pins transistors, USB jack pins, etc
- Save SMT assembly Cost



# SW-02 Stripped wire Feeder

- Strip single-strand wire, double-strand double glue wire, flat wire, multi-layer wire, optical fiber and coaxial cable
- Support Robot Arm and Auto Insertion machine
- Can be combined with non-standard equipment, automatic wire feeding, automatic jumper wire feeding, peeling and cutting of various coiled wires.
- 700x285x350mm 32KG
- Wire Length: 30-100mm



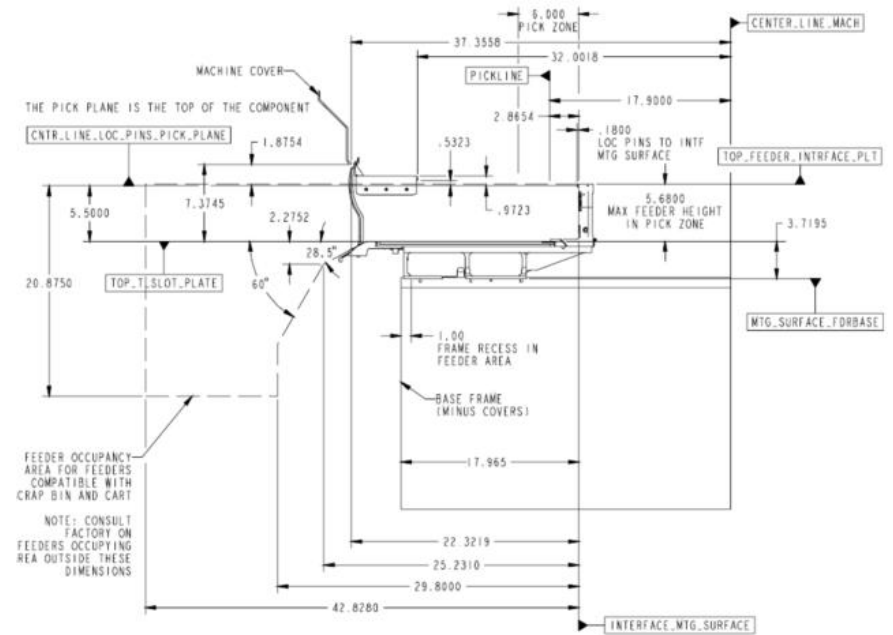
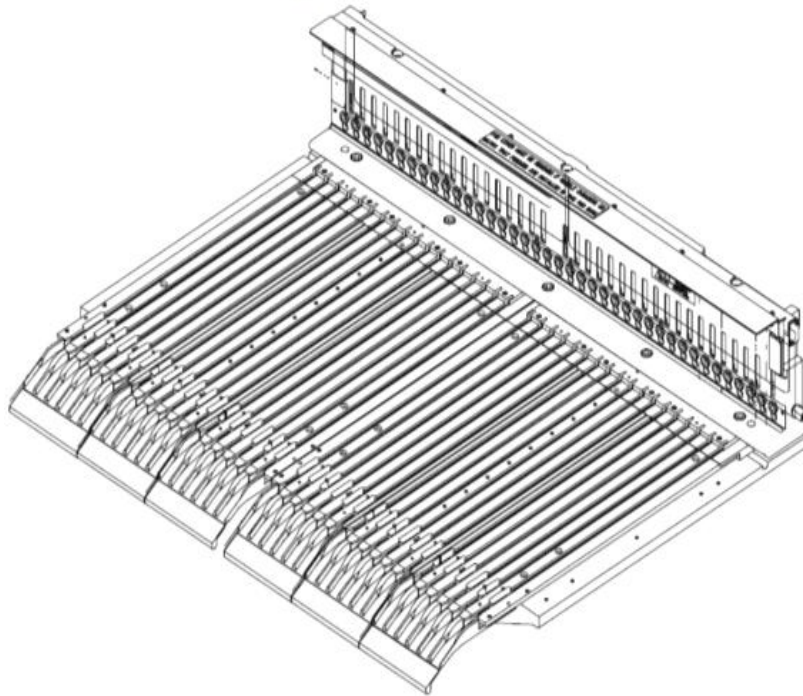
# SF1000 Screw Feeder



Model	SF1000
Component Size	Length < 40mm
Feeding	Motor and Brush
Drive method	Servo motor
Motor Speed	3000 RPM
Screw Input	Bulk Screw package
Feeder Diminsion	420x260x240mm
Weight	15KG

# Feeder Interface

Feeder Interface Drawings



# Radial Feeder Working Video



# Welcome inquiry

- 1, Please visit : [www.smthelp.com](http://www.smthelp.com)
- 2, Find us more: <https://www.facebook.com/autoinsertion>
- 3, Know more our team: <https://cn.linkedin.com/in/smtsupplier>
- 4, Welcome to our factory in Shenzhen China
- 5, Google: Auto+Insertion
- 6, Looking forward to your email: [info@smthelp.com](mailto:info@smthelp.com)

