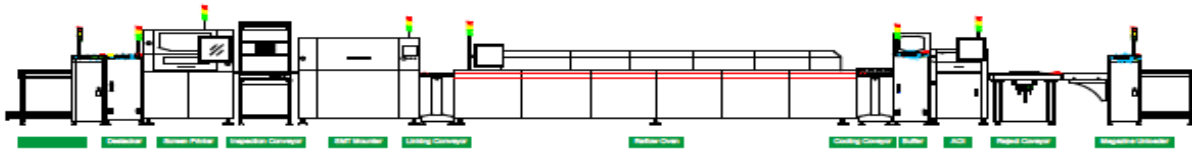


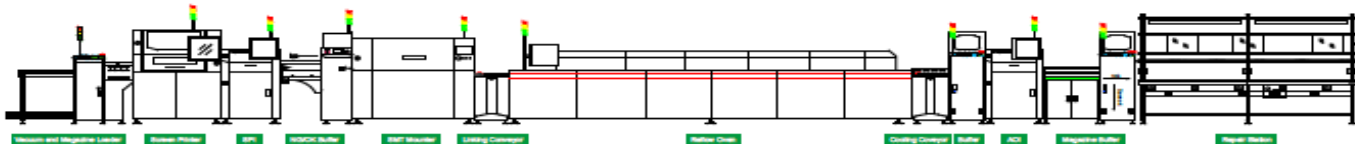
Your Solid & Flexible One-Stop Partner of **SMT Solution**

- Design and manufacture SMT & Auto Insertion (THT) machine over 20 yrs
- Customize SMT Line Layout all over the world
- Provide All Brand Spare Parts with warranty

Economic SMT Production Line



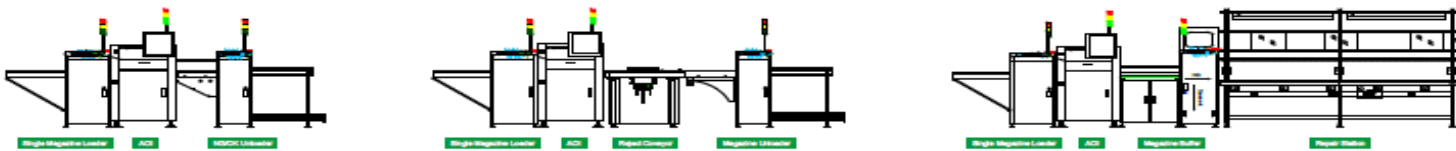
Medium-Volume SMT Production Line



High-Volume Fully Automatic SMT Production Line



Automated Optical Inspection Line



Why Odd Form Feeder

Enable your SMT machine with Auto Insertion Function



- Low Cost: **\$50~70K** for THT Machine VS **\$5~8K** for Odd form Feeder
- High ROI: Save Significantly labor cost of Manual Insertion

Why Southern Machinery

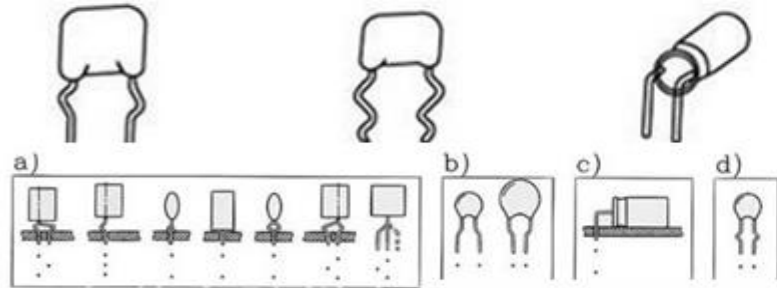
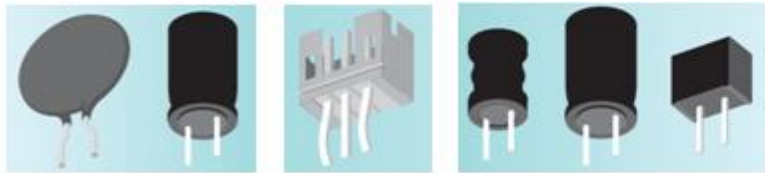
- 20 yrs+ experience in SMT & Auto Insertion Solution
Exsiting Customer include **GE, Bosch, Philips, Flex, Jabil, Juki**
- **Patent Owner** of Odd form Feeder
 - 1 Invention Patent & 2 New Practical Patents for THT radial feeder
 - More Patents under application



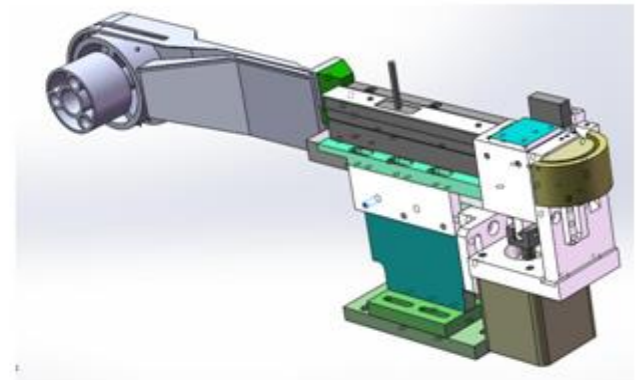
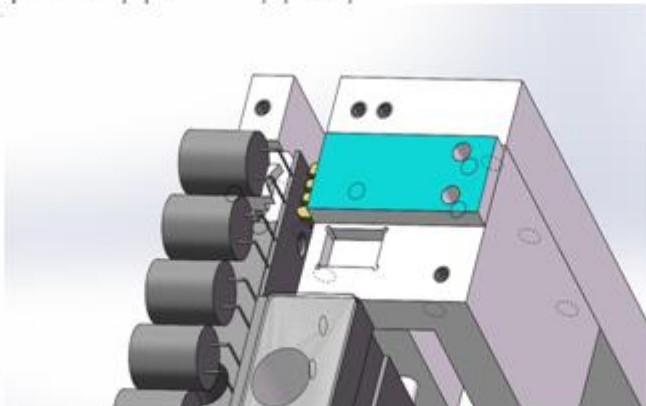
- Successful Cases
 - [Our YTube Page](#)
 - Pls Contact us for more videos of customized Odd form Feeder

RF1000 Radial Tape Feeder

Radial Tape Feeder enable SMT pick and place machine achieve Auto Insertion function on radial lead components Like ecaps, boxcaps, MOVs, LEDs, etc



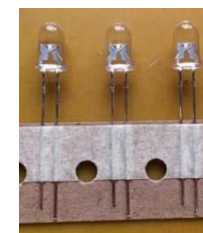
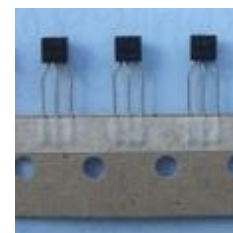
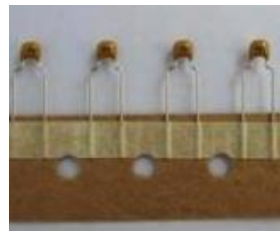
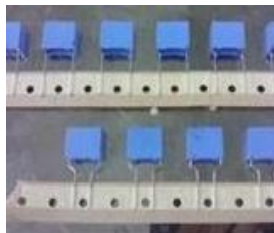
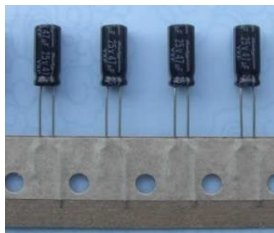
Auto insertion
with mounters:



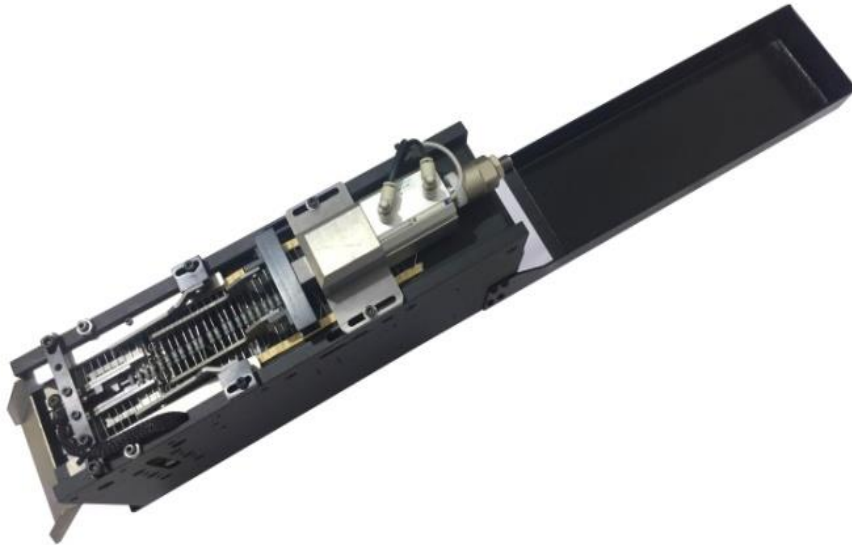
RF1000 Radial Tape Feeder



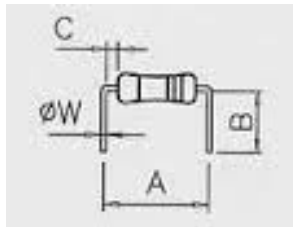
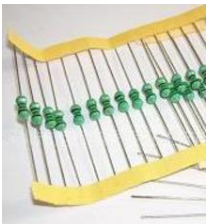
Model	RF1000
Component Body	Cylindrical: $\phi 3$ - $\phi 10$ mm; Rectangle: W5-10mm, L5-25mm
Component Height	5mm-25mm
Tape pitch	12.7mm or 25.4mm
Lead Dia	0.4mm-1.0mm
Lead Span	2.5mm-25mm
Lead Length	2.5mm-5mm
Feeding	Motor or Pneumatic drive
Cycle time	1.5s-2s
Component Range	E-cap, Inductor, Terminal
Component Input	Taped package
Dimension	500 (L)x100 (W) x165 (H)



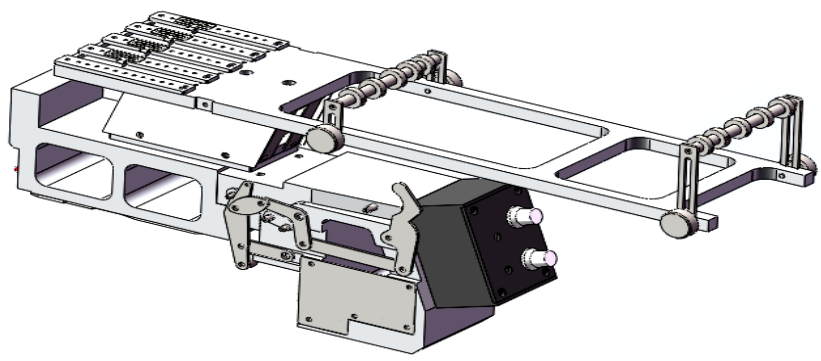
AF2000 Axial Tape Feeder



Model	AF2000
Component Body	ø2-ø10mm
Tape pitch	5mm、10mm、15mm、20mm
Lead Dia	0.4mm-1.0mm
Lead Length	2.5mm-5mm
Feeding	Pneumatic drive
Cycle time	1.5s-2s
Component Range	Resistor、Diode、JW
Component Input	Taped package
Diminsion	700 (L)x100 (W) x165 (H)



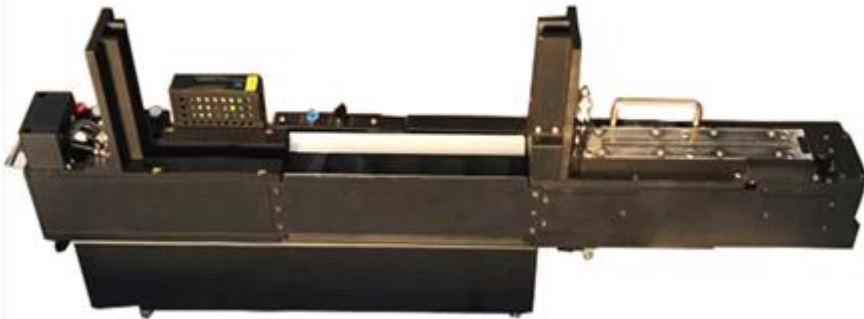
VF3000 Vibration Tube Feeder



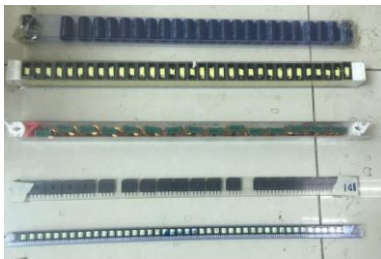
Model	VF3000
Component Size	5x5mm-10x10
Feeding	Vibration Drive
Cycle time	2s-3s
Component Range	IC
Component Input	tube package
Diminision	400 (L)x100 (W) x165 (H)



TF4000 Multi Tube Feeder

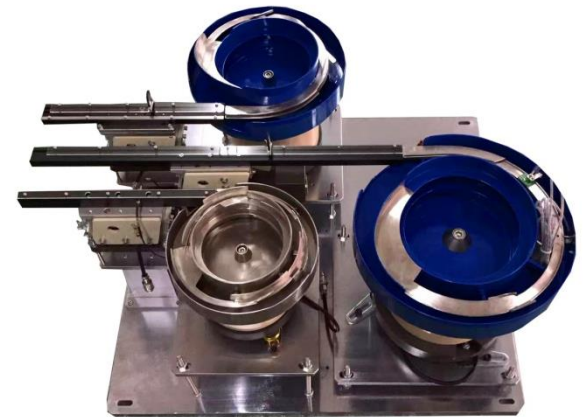
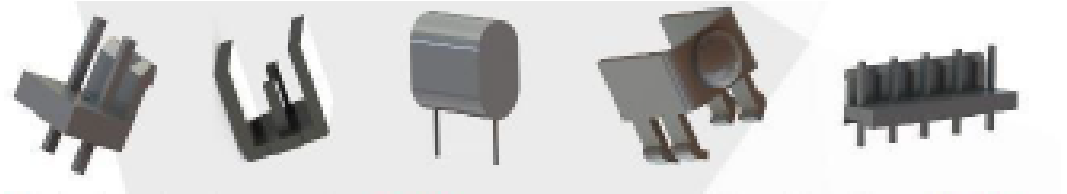


Model	TF4000
Component Size	5x5mm-25x25mm
Tube Length	300mm-650mm
Feeding	Motor Drive
Cycle Time	1.5s-2s
Component Length	Transformer、Relay、Transistor
Component Input	tube package
Diminsion	1480 (L)x100 (W) x165 (H)



BF2002 Vibratory Bowl Feeder

Vibratory Bowl Feeder are applicable for components in bulk package, such as terminal, capacitor, transformer etc



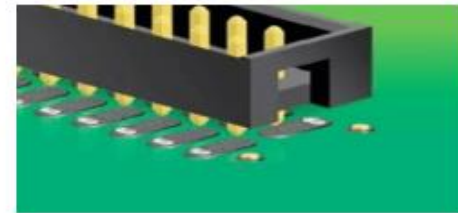
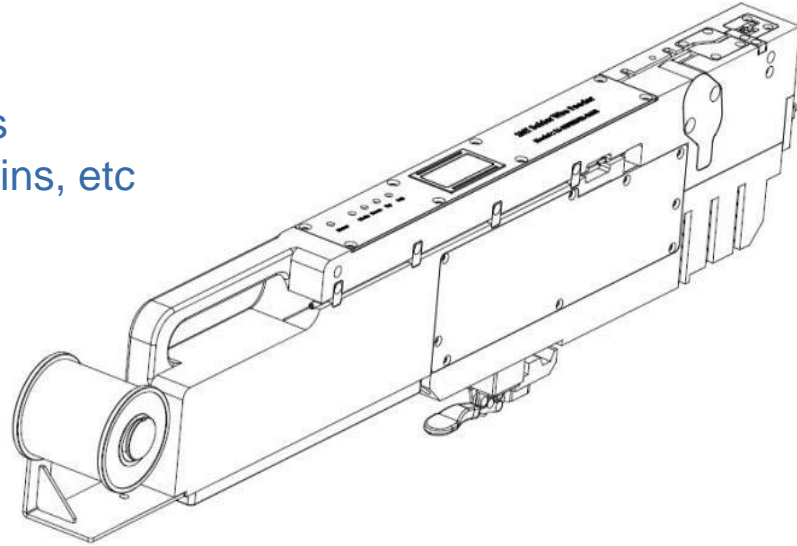
LF1000 LABEL FEEDER

- Automatic assembly instead of Manual. Reduce cost, Improve efficiency.
- Button Control. Easy Use.
- Applications with media size 3x3 to 3x28mm (width x length) can be picked with standard nozzles.
- Configurations available for < 3mm applications. Optional Platform up to 58x50mm



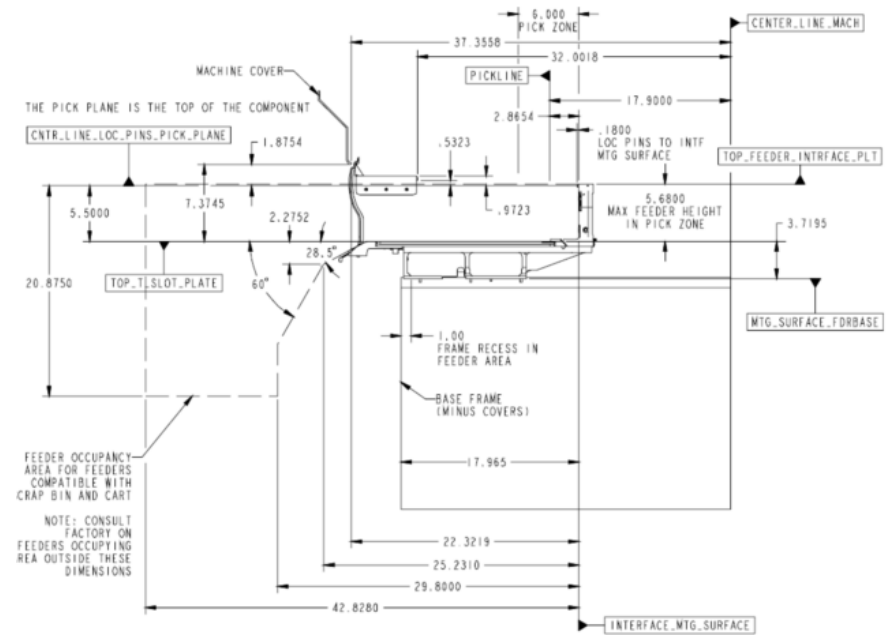
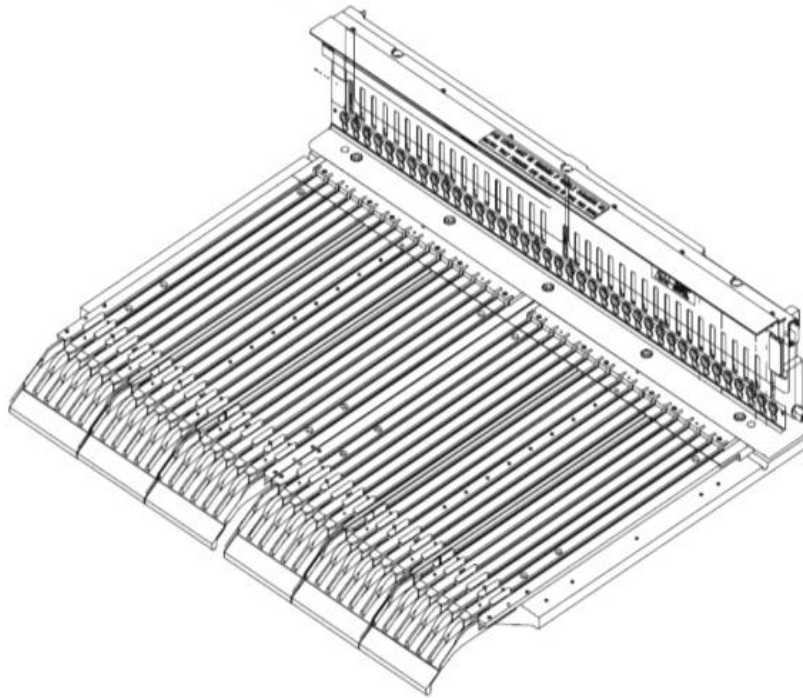
RTS-103 Solder Feeder

- Applicable : Components need multi times soldering, Like 3 pins transistors, USB jack pins, etc
- Save SMT assembly Cost



Feeder Interface

Feeder Interface Drawings



Radial Feeder Working Video



Welcome inquiry

- 1, Please visit : www.smthelp.com
- 2, Find us more: <https://www.facebook.com/autoinsertion>
- 3, Know more our team: <https://cn.linkedin.com/in/smtsupplier>
- 4, Welcome to our factory in Shenzhen China
- 5, Google: Auto+Insertion
- 6, Looking forward to your email: info@smthelp.com

