

SMT Automatic Label Mounter

- High Efficiency

- High Precision

- High Flexibility

- Apply to all of the SMT Industry need to label the circuit board. Can greatly improve SMT production line labe. Sharply reduce the operating personnel labeling the error rate, make the SMT production line is much smoother and mote efficient.



current artificial labeling problem

Artificial labeling

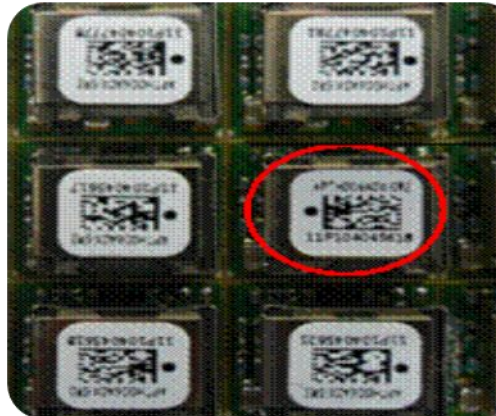


Long time work
fatigue

Artificial labeling problem



Leakage is stuck



reverse



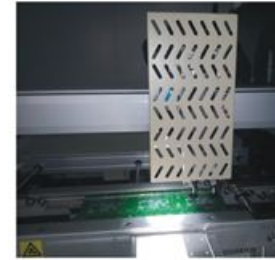
waste



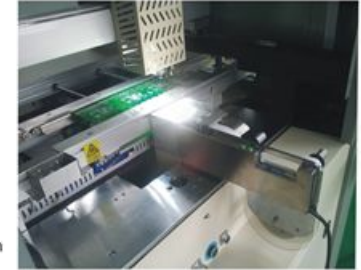
shift

Features

- Full Vision positioning mount system consists of two high-resolution CCD and stable visual software, to correct labels, PCB Fiducial Mark X, Y and R direction of the error.

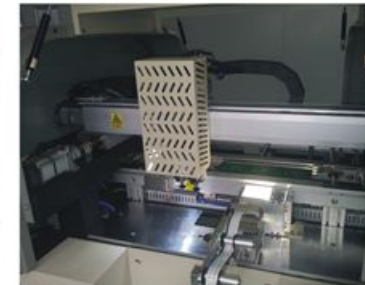


Vision alignment for PCB position

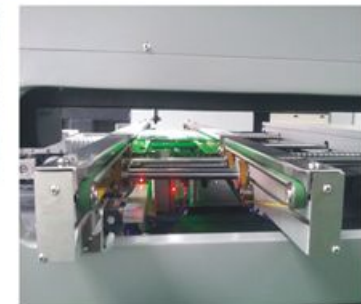


Vision alignment for label position

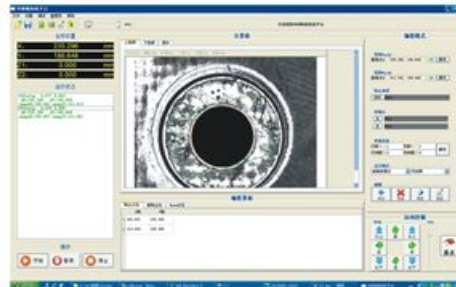
- High-rigidity chassis and casting stand, Panasonic AC servo motor and high-speed drive NSK Precision ballscrew X-Y axis. High-precision Z and R axis motor mount was set the upper and lower $0-35\text{mm} \pm 0.01$ and rotate 360° and $\pm 0.01^\circ$ more flexible label.



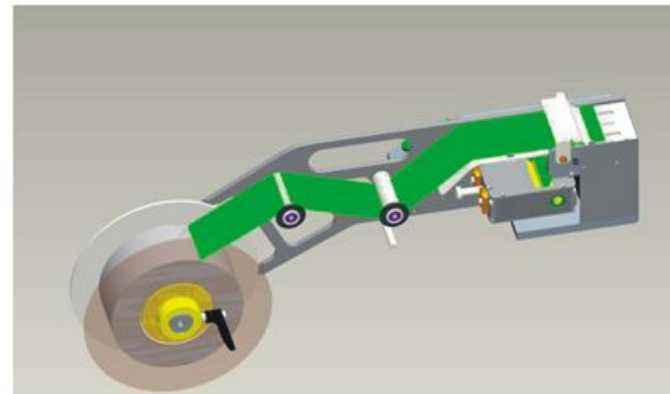
- Full compliance with SMEMA interface Conveyor, Can set the width dimensions of precision stepper motor driven ballscrew automatic adjustment, Conveyor can be set to BYPASS, Operation more flexible, PCB holding used on the roof design, Prevent the PCB bending.

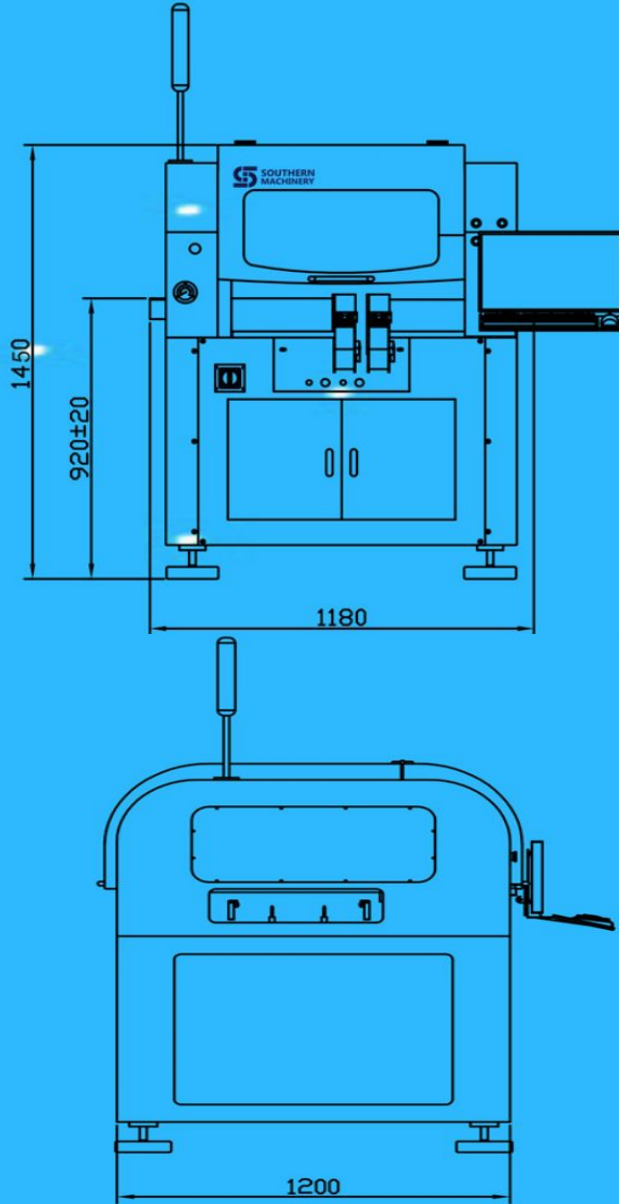


- Stable and reliable Industrial control systems windows-based operating system platform, with multi-level user interface to simplify programming and CCD-assisted methods, to provide easy user interface and easier to set up the machine's operating procedures, One PCB and Multi PCB on place also with SKIP function.



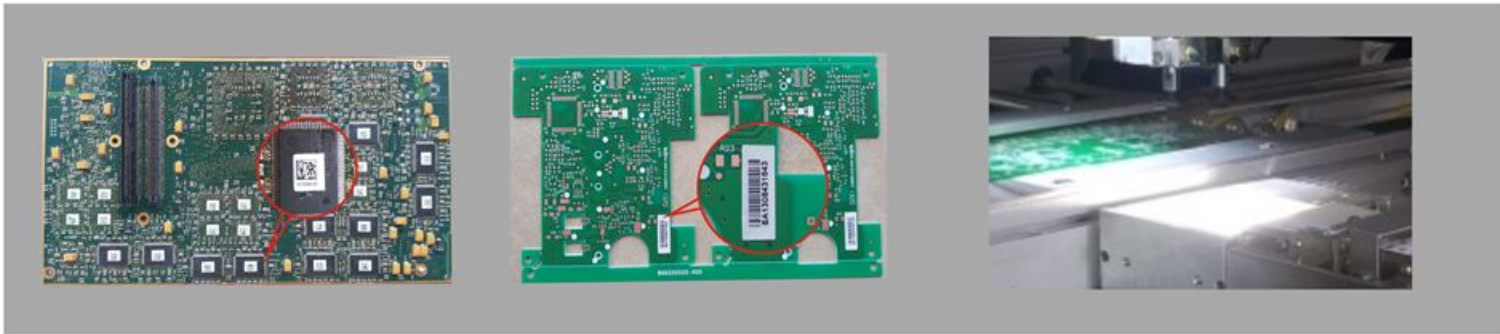
- Electronic Label Feeder Control by the fiber-optic and motor, precision feeding methods and modular design, simple operation, easy replacement, According to customer requirements to develop all kinds of label feeder.





Model	T-300
Lable Speed	Max2500/hour(single Head)max 3600/hour(Dual Head)
Control System	Industrial PC with 19" LCD
X-Y Drive System	Hing performance AC servo motor precision ball screw
Repeatability	±0.1mm
Z Drive System	High performance stepping motor
Reslution	0.01mm
Stroke	35mm
R Drive System	High performance stepping motor
Resolution	0.01° /pulse
Range	0-360°
label Size	Max:4mm*4mm min:60mm*30mm
PCB Size W*L	Max:Max:410mm*360mmmmmin:50mm*50mm
PCB Thickness	0.5-5.0mm
Conveyor Height	Adjustable,900mm±20mm
Conveyor Speed	500mm/sec
Interface	SMEMA
Label Feeder Capacity	2PCS
Voltage	220V AC 50HZ
Air Requirements	5kgf/CM ²
Air Consumption	60L/min
Dimensions L*W*H	1180*1200*1450
Weight)	Approx.900kg

Example of PCB and label



Automatic barcode identification system

