

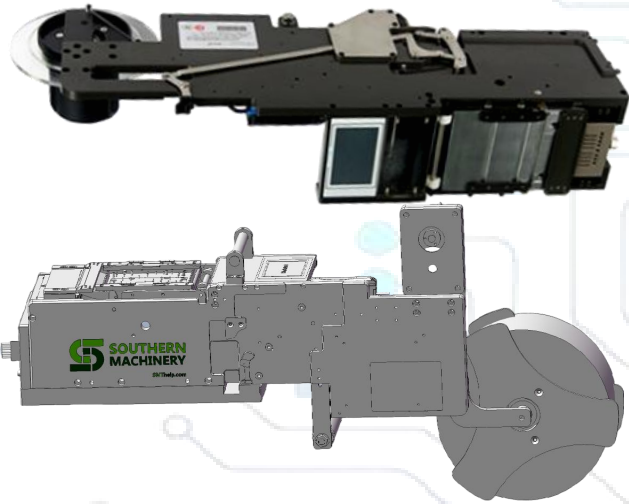
# Southern Machinery feeder solutions for SMT & THT

Enhancing efficiency and precision in electronics manufacturing, including axial, radial, tube, vibratory bowl, belt, label, and tray types

- Designed to automate the handling and placement of various electronic components,
- From standard to odd-form parts.
- Programmable controls,
- High compatibility with ANY SMT machines,
- Robust construction, and improved labor utilization,
- Aiming to reduce manufacturing costs and boost productivity in smart factories



# SLF1001 Label Feeder



## Functional features:

- Automates placement of QR labels for MES.
- Diverse roll materials.
- It handles FPC reinforcement sheets.
- Via robot integration,
- It ensures automated production,
- Saving labor/costs

Category	Parameter	Specification
Overall Dimensions	Length × Width × Height	650 × 165 × 320mm
	Weight	7.5Kg
Applicable Materials	Liner Width	Compatible with liners less than 60mm/80mm/100mm
	Liner Thickness	0.05mm-0.08mm
	Material Types	Paper labels, protective films, foam, double-sided adhesive, conductive adhesive or copper foil and steel sheet and other roll-packaged materials
	Material Size	min≥3mm,MAXsliner width
	Inner Diameter of Material Tray Maximum Load of Material Tray	Standard 3-inch core,other specifications can be customized ≤3Kg
Structural Parts	Feeding Method	Roll stripping method
	Material Receiving Platform	High-density foam or polymer anti-sticking material
	Optical Fiber Path	Standard"1 in 1"to "1 in 12"optional
	Amplifier	Standard 1 independent amplifier
	Material Positioning Method	Optical fiber sensing+software compensation
	Feeding Method	Threaded feeding
	Fixing Method	Positioning key+clamping block,supports other fixing structures
Electrical Parts	Liner Rewinding Method	Standard lower belt conveyor for liner rewinding,supports independent motor for liner rewinding
	Material Hanging Tray Shaft Tightening Method	Standard claw clamping structure, supports air-expanded shaft tightening
	Working Voltage	24V
	Average Current/Peak Current	1.5A3A
Feeding Parts	Working Air Pressure	0.4-0.6Mpa
	Operation Method	Button operation
	Upper Computer Connection	8-cores 16mm aviation plug
	Communication Method	Supports IO communication or self-control without communication
	Software Control	Based on ARM(STC32)
	Driving Method	Stepper motor
Inspection Records	Motor Type	42 type
	Maximum Motor Speed	600 rpm
	Number of Single-time Feeding Speed Gears	Single-row multiple columns,supports multi-row expansion Four gears adjustable
	Feeding Position Adjustment	x-direction limit adjustment+Y-direction software adjustment+Z-direction mechanical adjustment
	Feeding Precision	x-direction ± 0.2mm,Y-direction ± 0.2mm
Inspection Records	Feeding Rate	≤0.5%
	Feeding Test	Achieve 500 times of continuous feeding without abnormality
	Aging Test	Continuous operation for 48 hours without abnormality



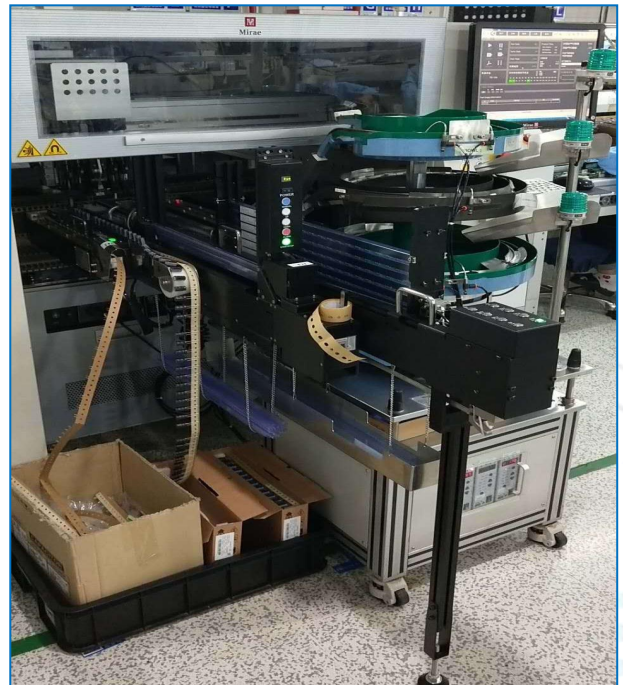
**Panasonic CM602 odd form machine  
install tube feeder+bowl feeder**



**JUKI odd form machine install tube  
feeder+bowl feeder+radial tape  
feeder**



**YAMAHA odd form machine install  
*tube feeder***



**Mirae odd form machine install tube  
feeder+bowl feeder+radial tape  
feeder**

# Your Trusted Partner for SMT & THT Solutions

Founded in Shenzhen in 2011, Southern Machinery specializes in designing and manufacturing advanced SMT/THT machinery for PCB assembly automation. Our precision-engineered equipment delivers cost-effective, high-efficiency solutions for both high-speed mass production and delicate small-batch manufacturing, ensuring durability and user-friendly operation.

Leveraging Shenzhen's electronics manufacturing expertise, we provide not just top-tier machinery but also industry-leading knowledge and best practices to global clients.

Explore our solutions at [www.smthelp.com](http://www.smthelp.com), follow our innovations on:

- [\[LinkedIn Company Page\]](https://www.linkedin.com/company/smtmachine)(https://www.linkedin.com/company/smtmachine)
- [\[LinkedIn Profile\]](https://cn.linkedin.com/in/smtsupplier)(https://cn.linkedin.com/in/smtsupplier)
- [\[Twitter\]](https://twitter.com/smtspecialist)(https://twitter.com/smtspecialist)
- [\[Facebook\]](https://www.facebook.com/autoinsertion)(https://www.facebook.com/autoinsertion)
- [\[YouTube Channel\]](https://www.youtube.com/c/Smthelping)(https://www.youtube.com/c/Smthelping)
- [Browse our machine catalog](https://file.autoinsertion.com) at (https://file.autoinsertion.com)
- [Find machine photos](https://ph.smthelp.com) at (https://ph.smthelp.com)

Shaping the Future of Electronics Manufacturing.

