

Introduction of PCB cleaning machine

Shenzhen Southern Machinery sales and service co. LTD



PROFESSIONAL ELECTRONIC PRODUCTS MANUFACTURING SOLUTIONS PROVIDER

<http://www.smthelp.com>

Necessity

The necessity of the use of PCB cleaning machine

1. PCB board handling, posted barcode, parking process may cause the surface of the PCB sticky dirt and smudges.
2. PCB electrostatic precipitated PCB surface to attract dust.
3. SMT components will become smaller the original, small stains will likely affect the welding effect.
4. Some larger smudges may short out the solder joint or potential defects.



CONTNETS

01

Performance characteristics

02

Configuration characteristics

03

Specialty characteristics

04

technical parameter



Performance characteristics

01

Our newly developed automatic compound PCB cleaner mainly designed for (SMT) surface mount manufacturing process, suitable for PCB board after laser marking; solder paste printing or viscose coating before the fine line surface cleaning.

Remove particles and other foreign matter, to ensure that the PCB surface is in a clean condition. In addition to the static electricity system effectively eliminates static electricity remaining on the board and effectively controls defects and damages that may occur due to dust and static electricity in advance, thereby reducing hidden dangers and improving product quality. Allow you to have the most advanced contact cleaning system.

02

Fully automatic PCB cleaning machine brush cleaning, vacuum cleaning system, static elimination system and roller dust removal system.

Electrostatic rollers and sticky paper combinations are recognized as the most efficient cleaning systems in the market today.

03

Electrostatic elimination system (patented technology)

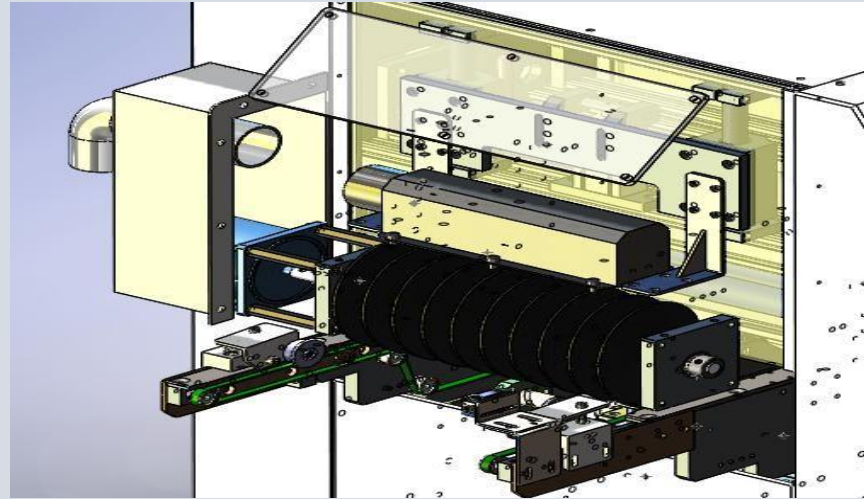
The main elimination of residual PCB printing and patch components brought unpredictable consequences, due to electrostatic discharge on the main electrostatic sensitive components, Such as: IGBT, FET, blue and white backlight, LCD, chips and so on

There are two kinds of damage and damage caused by sudden damage and potential damage.

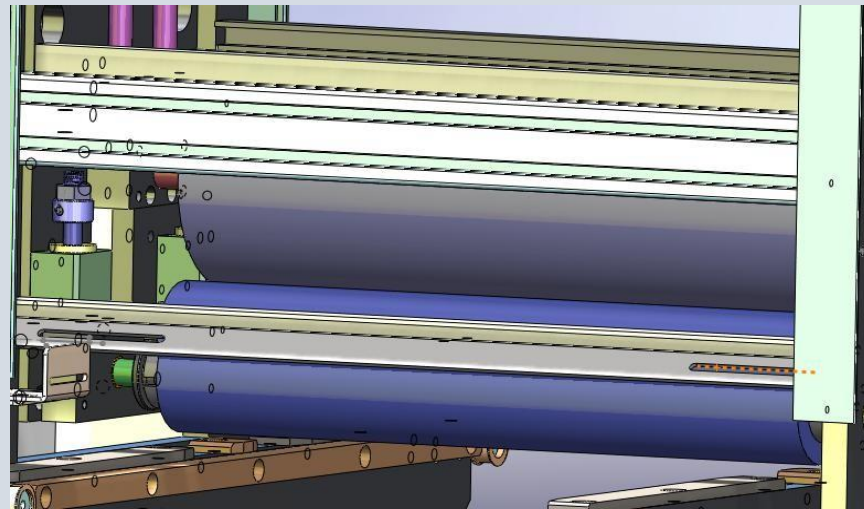
The so-called sudden injury, refers to the device was severely damaged, loss of function. This damage can usually be detected during the quality inspection in the production process, so the cost to the factory is mainly rework.

Potential damage is the damaged part of the device, the function has not been lost, and cannot be found during the testing of the production process, but in use will make the product become unstable, good or bad, so the quality of the product constitutes greater damage.

Configuration characteristics



Brush and vacuum combination

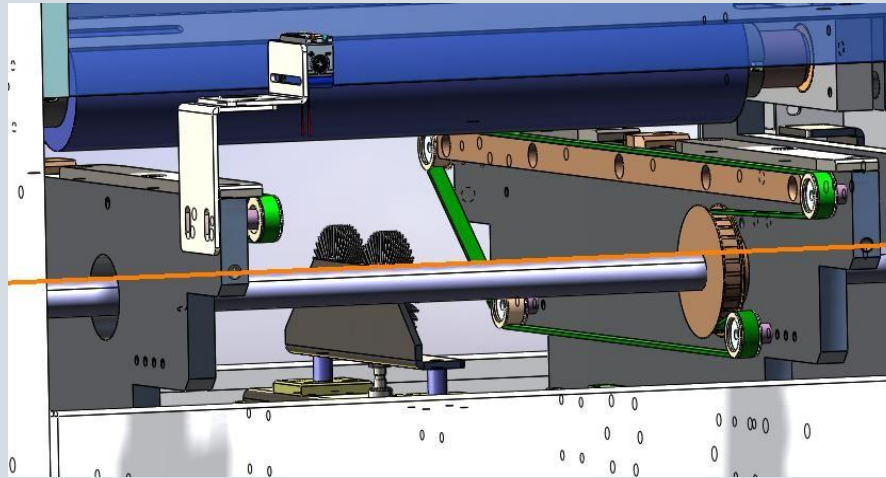


Electrostatic roller and sticky paper combination

The newly developed brush and vacuum combination of the main laser marking of larger particles of dust cleaning, so as not to scratch the electrostatic roller.

Nien dust paper sheet design, the electrostatic wheel can effectively transfer the dust particles and stored in the reverse sticky paper, so that it can achieve uninterrupted dust removal work. When the outer sticky paper saturated, peel this Sticky paper, brand new next sticky paper is used, convenient and quick.

Configuration characteristics



Bottom brush central support system



Electrostatic elimination system

Unique design, adjustable support system to ensure that different sizes, different thickness PCB 100% contact with the clear electrostatic roller, making it to ensure the best cleaning results.

Import and export are equipped with static eliminator, the main elimination of residual static discharge due to electrostatic discharge on the main electrostatic sensitive components and unpredictable consequences.

Configuration characteristics



Unique patented design and adjustable plate thickness adjustment device to meet all current SMT processes, such as 0.4 ~ 3.0mm bare board and 3.0 ~ 7.0mm fixture can easily adjust through.

PCB board thickness adjustment system



Separated alarm lights and alarm bell system allows any operator to keep abreast of the working status of the machine.

Alarm system

Specialty Characteristics

01

Operating system completely independent development (patented technology), simple operation, with complete independent intellectual property rights. Guide for the customer upgrade and other services.

02

Electrostatic roller (patented technology), the first complete master of drum hardness, viscosity, electrostatic coefficient, coefficient of friction, gel density and other full set of technology manufacturers.

03

Unique patented design, to ensure that different processes of different thickness of the PCB board can pass.

option

Static electricity real-time monitoring system: The engineer can set the limit of static electricity according to the need. When the static electricity value exceeds the limit, the monitoring system will alarm and make the machine stop working automatically. These parameters can be changed and stored and displayed through the display.

Technical Parameter

Technical Parameter

1. Dimensions: Dimensions (L × W × H): 550x650x1520mm
2. PCB size: (L × W) ~ (L × W) 50 * 50 ~ 350 * 250 (MM) (Other sizes are available upon request)
3. PCB thickness: 0.6-3.0mm or (customer specified: optional
06. ~ 7.0mm)
4. transmission direction: track fixed left to right (right to left optional)
5. Transmission height: 910 ± 20 (MM)
6. Power supply: AC220V /or110V 50-60HZ
7. Transmission motor: Zhongda speed motor.
8. Control system: the use of Panasonic PLC control, Japan Panasonic SENSOR control start
9. Control Panel: Control the touch screen control panel
- 10 Sticky roller: Taiwan custom
11. Ball screw: TBI
12. Number of brushes: 1 pcs
13. Sticky wheel number: 2 pcs
14. Sticky paper roll Quantity: 1 pcs
15. In addition to static equipment:
(or customer matching)
16. Cylinder: SMC
17. Electrostatic value: ≤ 50V
18. Rack material: 3.0 iron welding,
white electrostatic spraying
19. Standard signal: using SMEMA standard 4-core
signal cable

Welcome inquiry

- 1, Please visit : www.smthelp.com
- 2, Find us more: <https://www.facebook.com/autoinsertion>
- 3, Know more our team: <https://cn.linkedin.com/in/smtsupplier>
- 4, Welcome to our factory in Shenzhen China
- 5, See more machine working video, please Youtube: Auto Insertion
- 6, Google: Auto+insertion, to get more informations
- 7, Looking forward to your email: ming@smthelp.com