



Are you still worrying about these little things?

- Solder joints are unequally distributed
- Welding error
- Efficiency is too slow
- It's difficult to recruit soldering workers?**
- staff difficult to manage?**

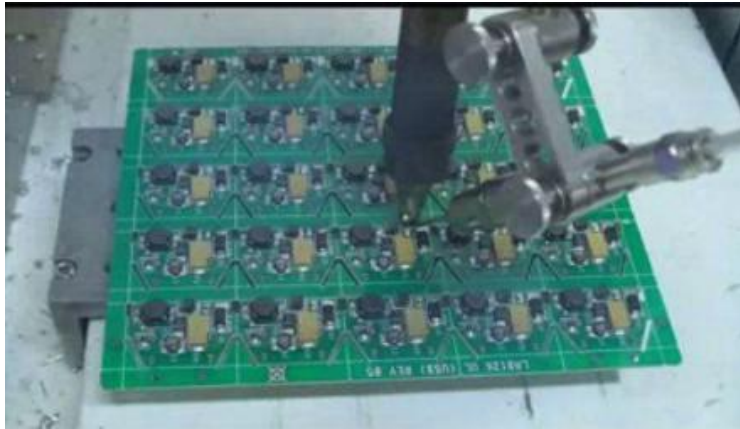




**SOUTHERN
MACHINERY**

Fully automatic Soldering machine

Widely used in electronic welding and other occasions
Fully automatic tin, tin accurate, flexible control





**SOUTHERN
MACHINERY**

Fully automatic Soldering machine

Industrial fully automatic soldering machine

Oxidation surface treatment, fast speed
The precision is high. Strong stability
2-6 people can be replaced



**Ten years of research
and development experience
quality assurance**





Product configuration

Import configuration, high precision

Motor: Japan's Shinano imported stepper motor
Linear guide: CSK brand
Pneumatic components: Taiwan Ya Tak
Three-axis control system: full-time
or constant control brand optional
Photoelectric switch: Hua Yi
Power: Ming Wei

File storage space

Handheld box 256M, off-line card 32M
A single processing file occupies the largest
3M storage space
(One hundred thousand processing points)

Program storage

Can store a thousand sets of processing data
A single processing file occupies the largest
3M storage space
(Five thousand processing points)





**SOUTHERN
MACHINERY**

Fully automatic Soldering machine





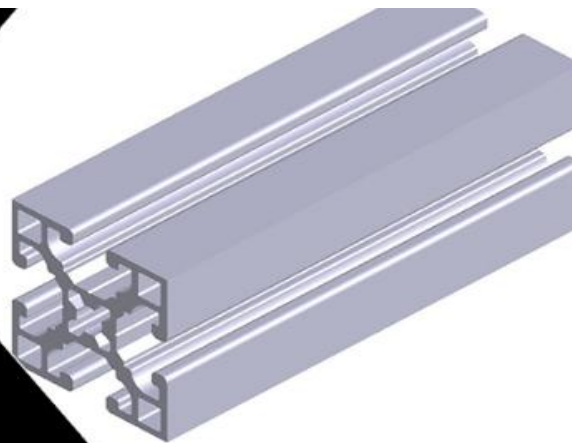
**SOUTHERN
MACHINERY**

Fully automatic Soldering machine

Product details

**High
quality
aluminum
profile**

Forging with high quality aero aluminum Seiko,
Surface electrophoretic treatment with high hardness



**High
configuration
synchronous
belt**

Imported high quality imported 3M synchronous belt
Built in steel wire, used for a long time, not easy to wear

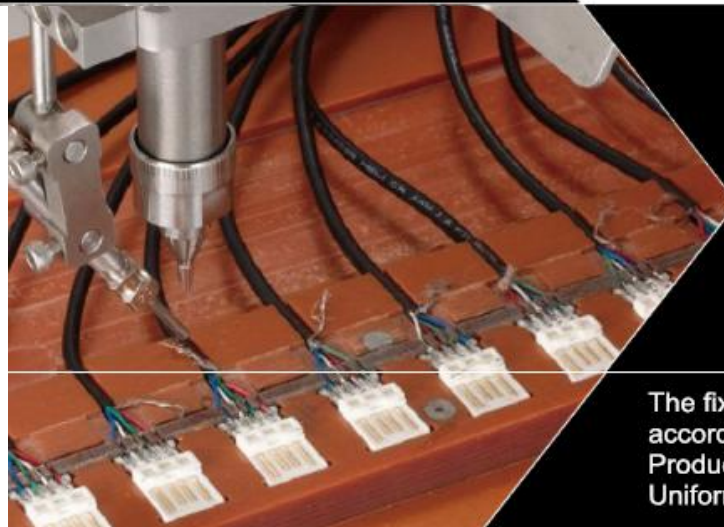


Product details



R axis
rotation axis

Using 360-degree R-axis rotation
simple and convenient
360-degree rotation axis
a variety of lines can be point



fixture
Multi-function

The fixture can be customized
according to the product
Product embedded fixture
Uniform solder

Product details

Hand
box
control

Simple operation
Easy to understand and easy to learn
Free training until the society



temperature
control

Use high quality temperature
control machine
The temperature rises quickly
Stable temperature





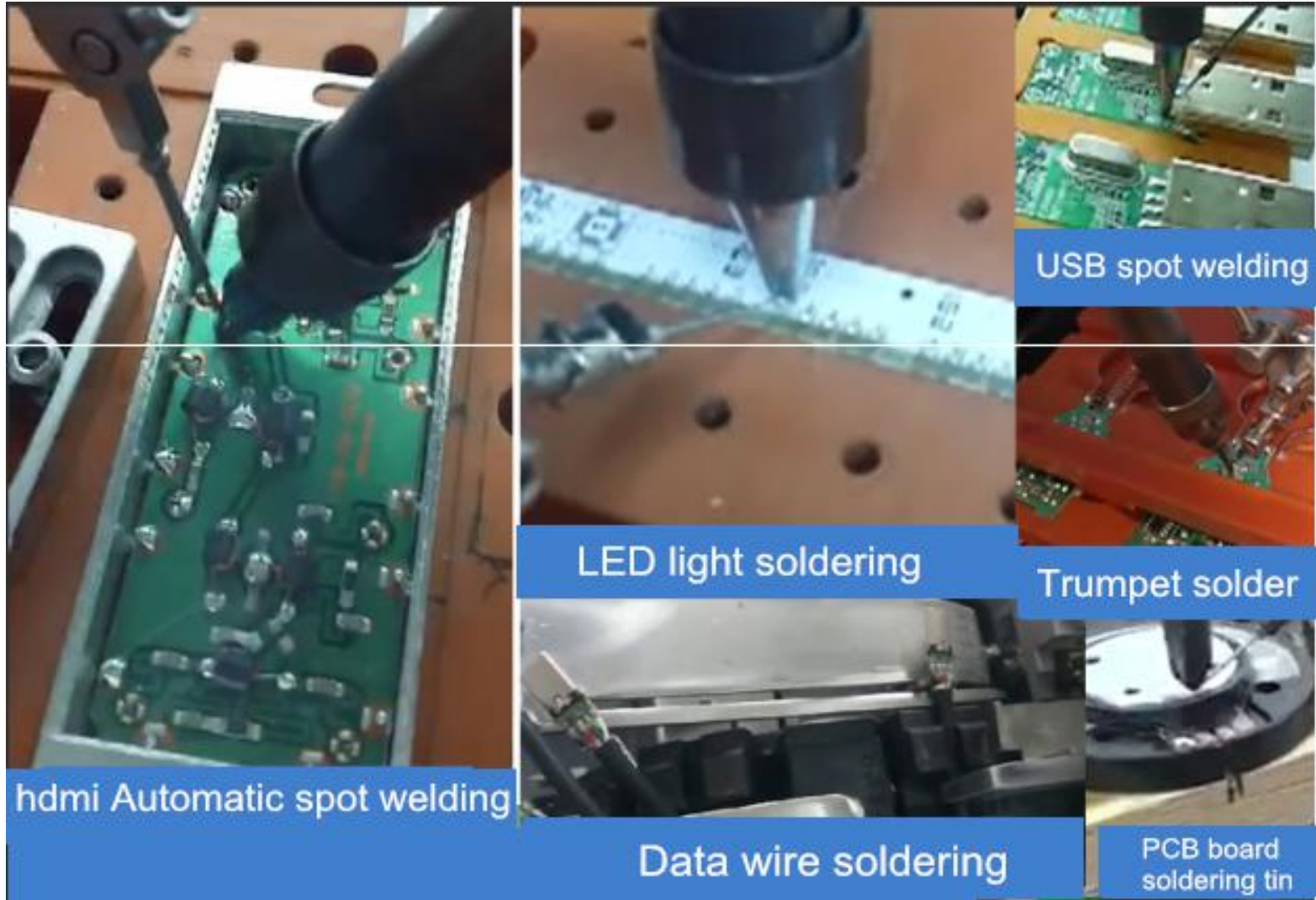
**SOUTHERN
MACHINERY**

Fully automatic Soldering machine

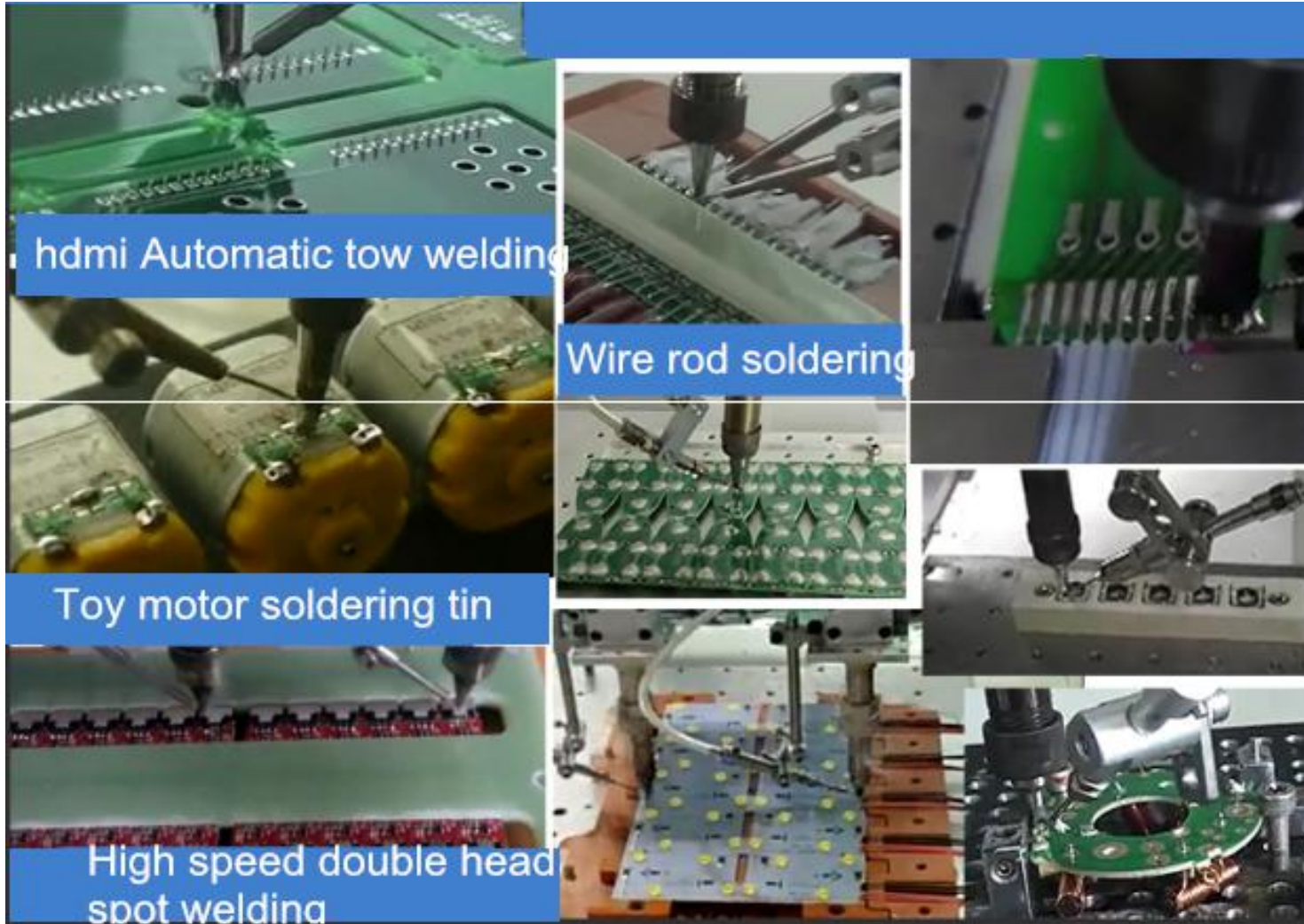
Product display



Fully automatic Soldering machine Application



Fully automatic Soldering machine Application



Specification

Solder Paste Liquid Dispensing Robot S-160

| | |
|---------------------------------|--|
| Model | S-160 |
| External Size L*W*H | 720*585*600 mm |
| Weight | 70kg |
| Working Travel:(mm) | X:500 , Y1:300 , Y2:300 , Z:100 |
| Speed(mm/sec) | 5—500 |
| Power | 240V / 50HZ |
| Driving Method | Stepper motor+Synchronous Driving Belt |
| Max Load | 5kg/3kg |
| Motor System | Import Microstep Precision Motor |
| Programing Method | Handing Box |
| Repetitive Positioning Accuracy | ±0.02—0.05mm |
| Synchronous Driving Belt | Imported 3M Synchronous Driving Belt |
| Tin delivery | Automatic tin delivery |

Want to know more informations,
please contact:

Wendy:

Skype &Phone:+8613277734640

Email :wendy@smthelp.com

Q Q :3504759237

Shenzhen Southern Machinery Sales and Service Co., Ltd