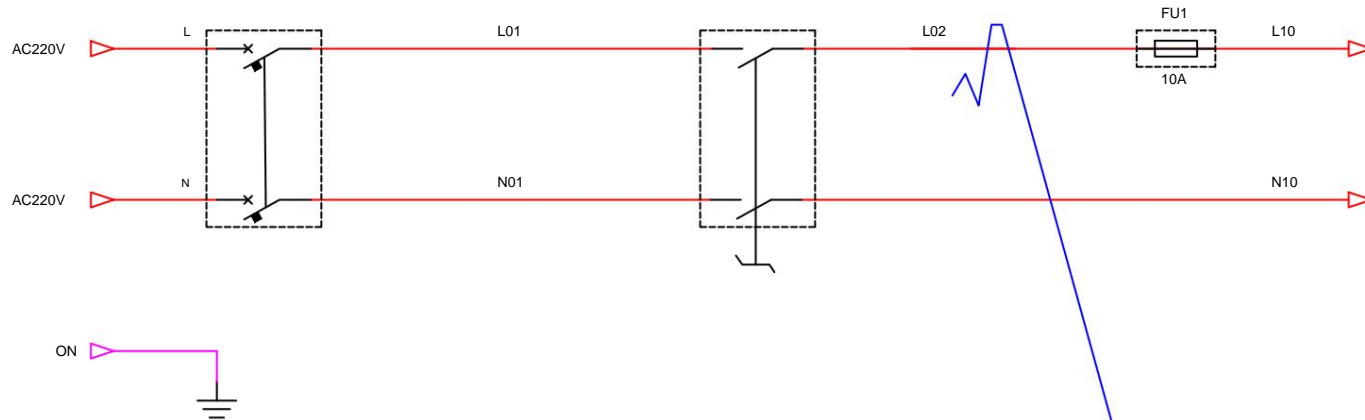
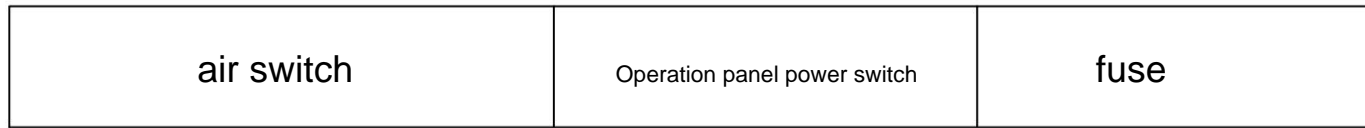


Southern Machinery Sales and Service Co., Limited.

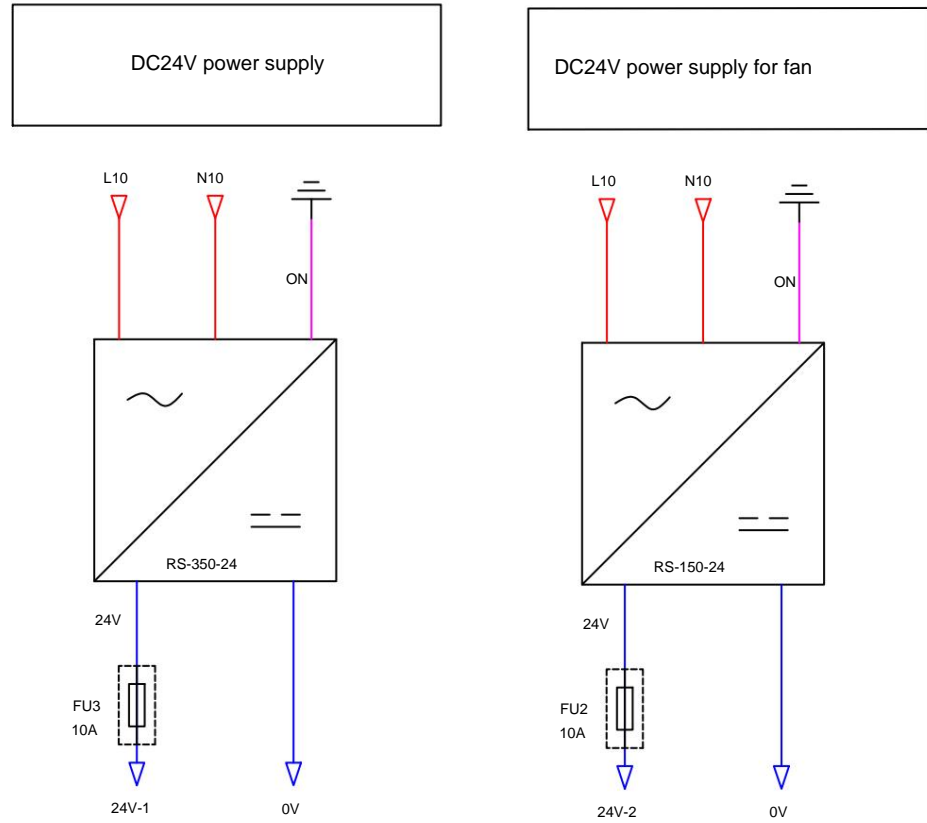


Note: The main power cord needs to use a cable of 3\*1.5mm or more.

Note: All code tubes must be heat-shrinkable code tubes. All external wire sleeves must be telescopic mud dragon telescopic (black sleeves)

Design	Wahg Bing		Overall power diagram		
Craft					
Check			Monoral three-section NGBUFF electrical diagram	current page	1
				total pages	20

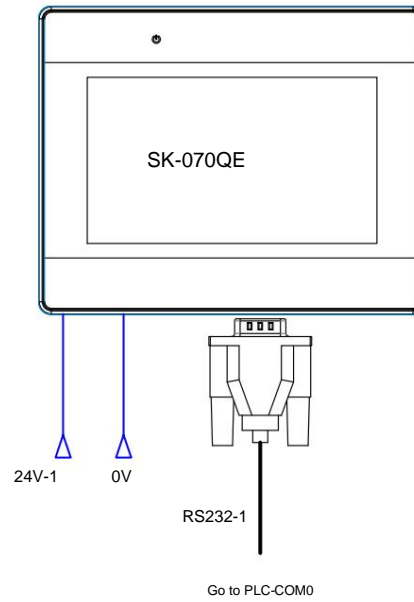
Southern Machinery Sales and Service Co., Limited.



Note: A 1.0mm cable is required for the switching power cord in and out. The fanless 150W switching power supply is not connected

Design	Wang Bing		switching power supply		
Craft					
Check			Monorail three-section NGRUFF electrical diagram	current page	2
				total pages	20

Human-computer interface main screen



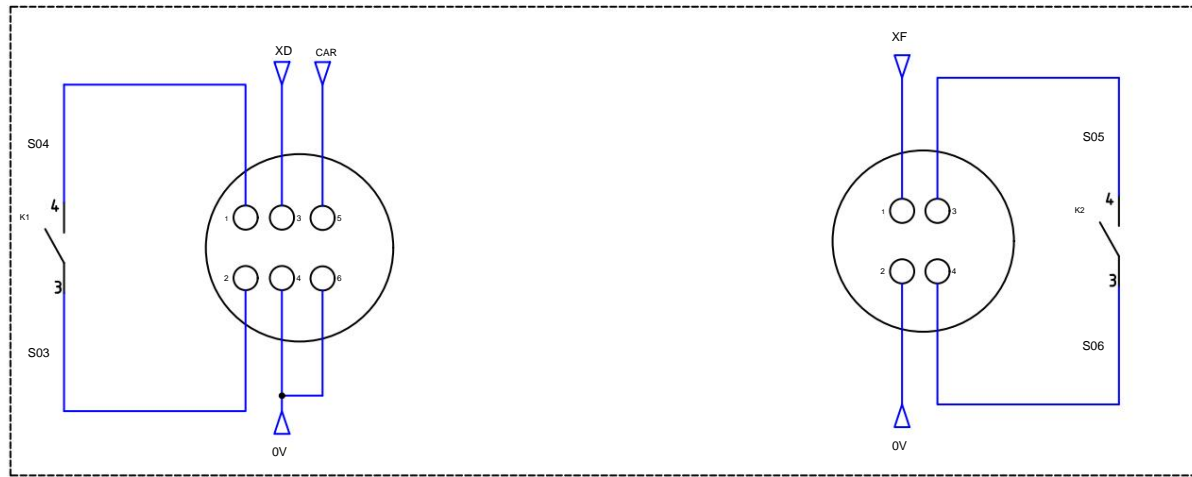
Design	Wahg Bing		Human-computer interface diagram		
Craft					
Check			Monoral three-section NOBUFF electrical diagram	current page	3
				total pages	20

history code

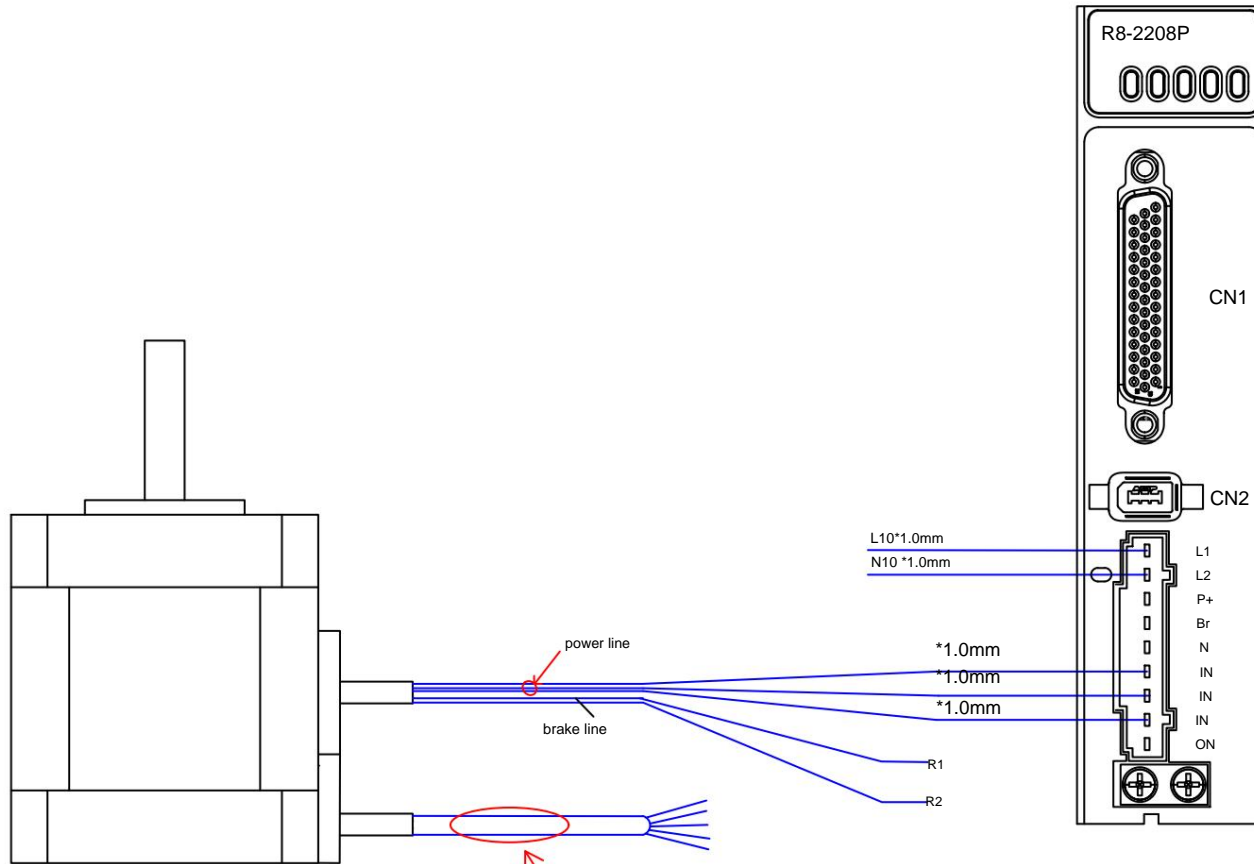
Host computer

1#SMEMA signal

Lower computer



Design	Wahg Bing		SMEMA signal		
Craft					
Check			Monoral three-section NOBUFF electrical diagram	current page	4
				total pages	20

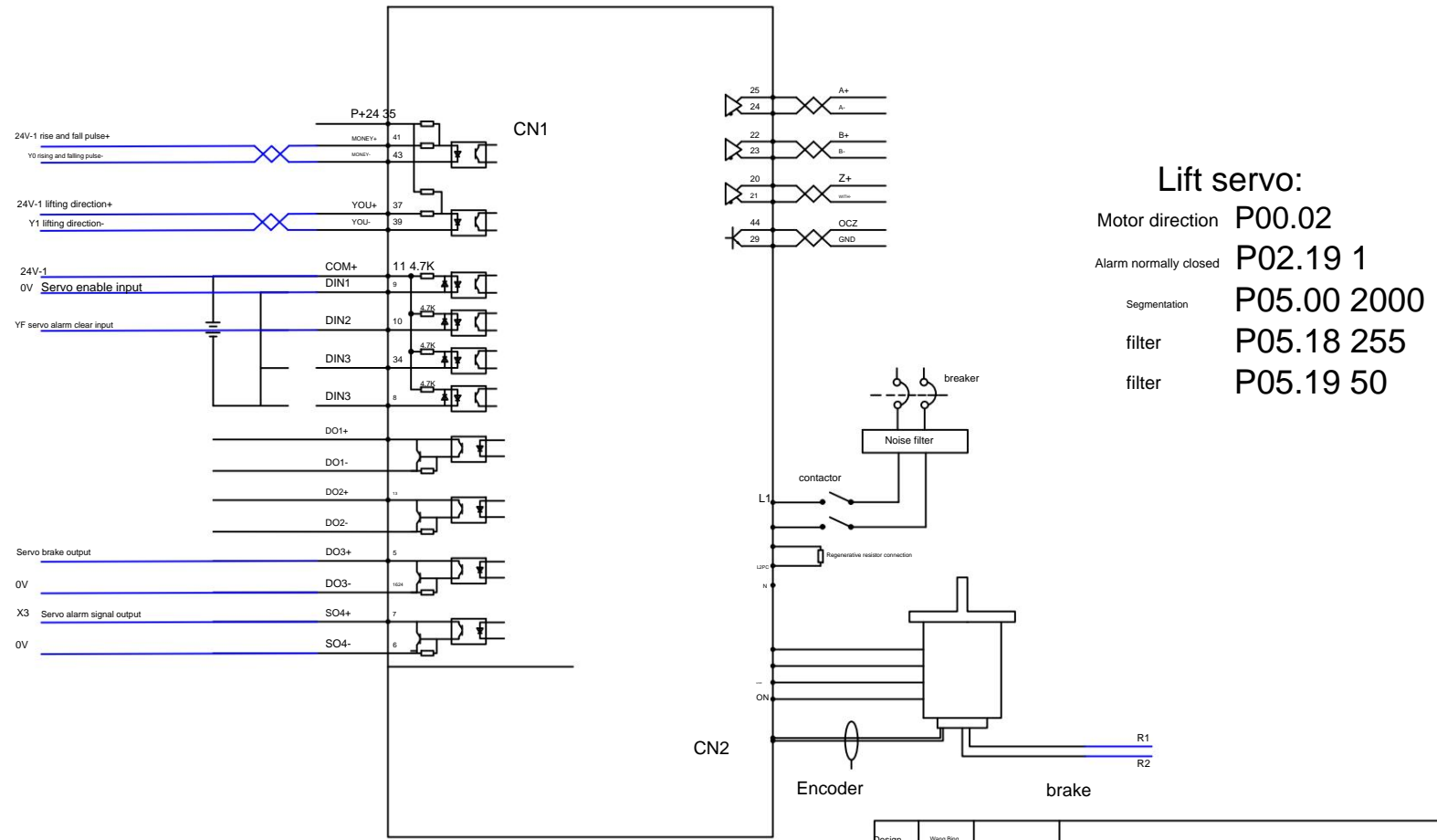


Use twisted pair screen cable, encoder cable to CN2

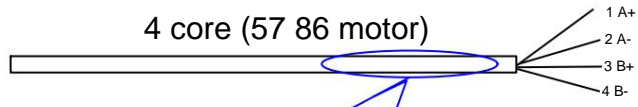
Design	Wahg Bing		Display control lifting servo wiring diagram	
Craft				
Check		Monorail three-section NOBUFF electrical diagram	current page	5
			total pages	20



Design	Wahg Bing	Display control servo CN2 wiring		
Craft				
Check		Monoral three-section NOBLUFF electrical diagram	current page	6
			total pages	20

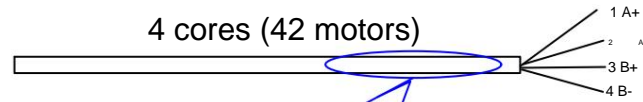


Design	Wang Bing	Display control servo lift motor wiring		
Craft				
Check		Monorail three-section NOBUFF electrical diagram	current page	7
			total pages	20



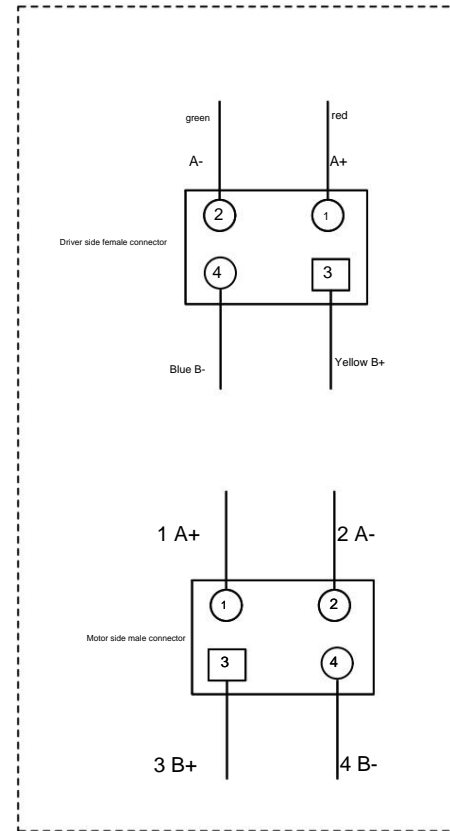
Note: 4\*0.5 color butt connector

Connect according to the drawing requirements (wear-resistant lines need to be taken in the drag chain)

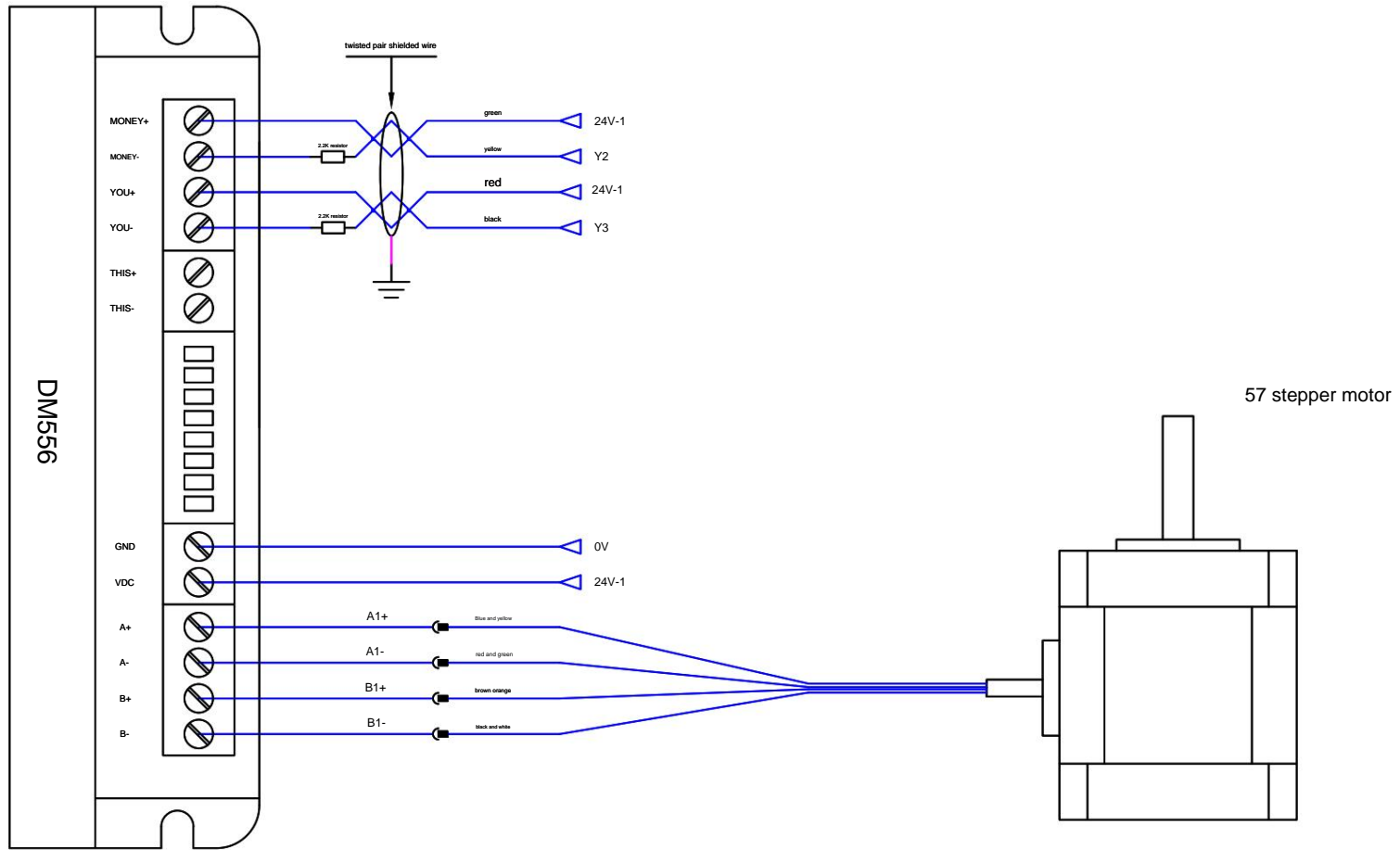


Note: 4\*0.3 color butt connector

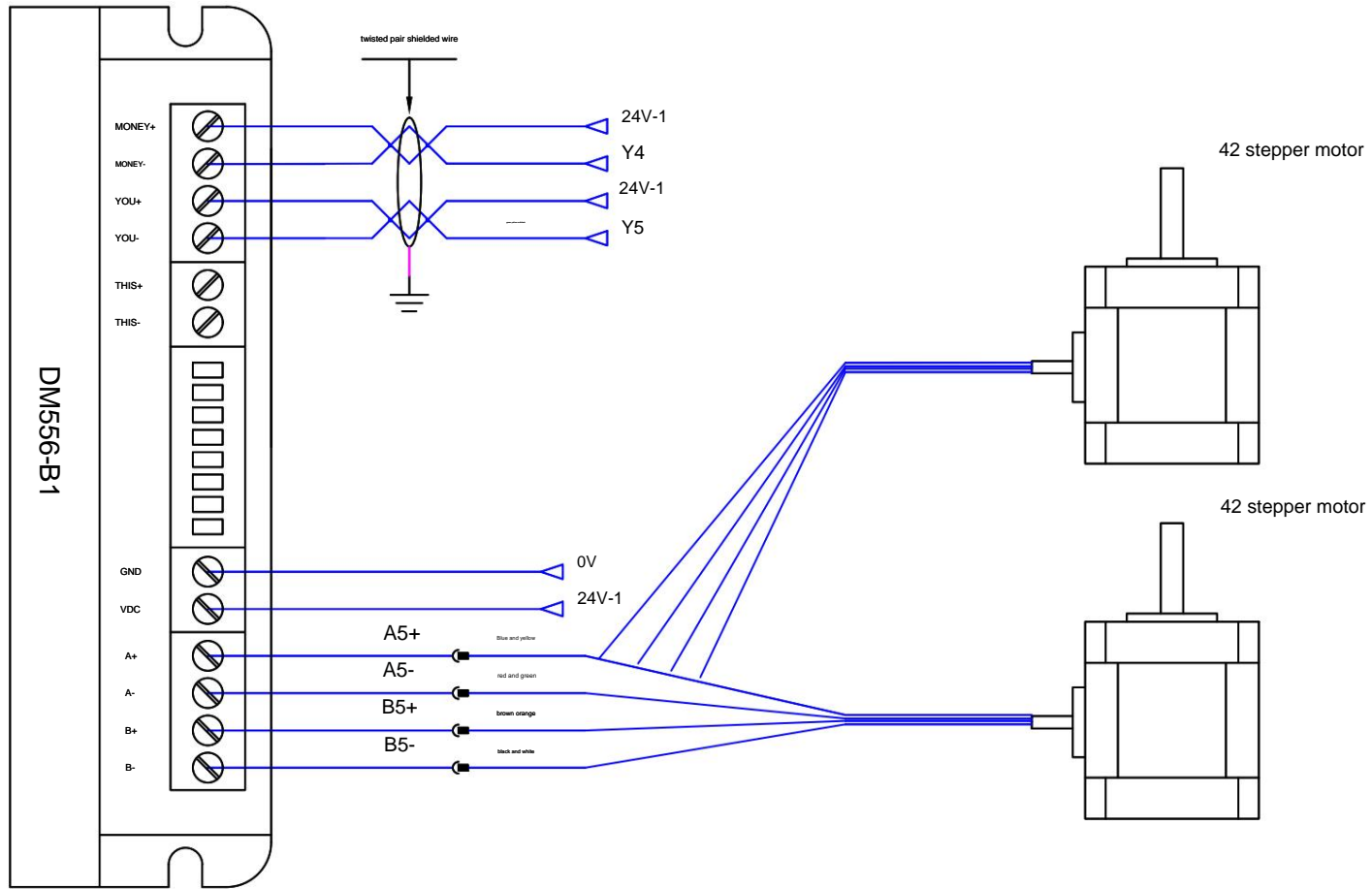
Docking according to the drawing requirements (wear-resistant lines need to be taken in the drag chain)



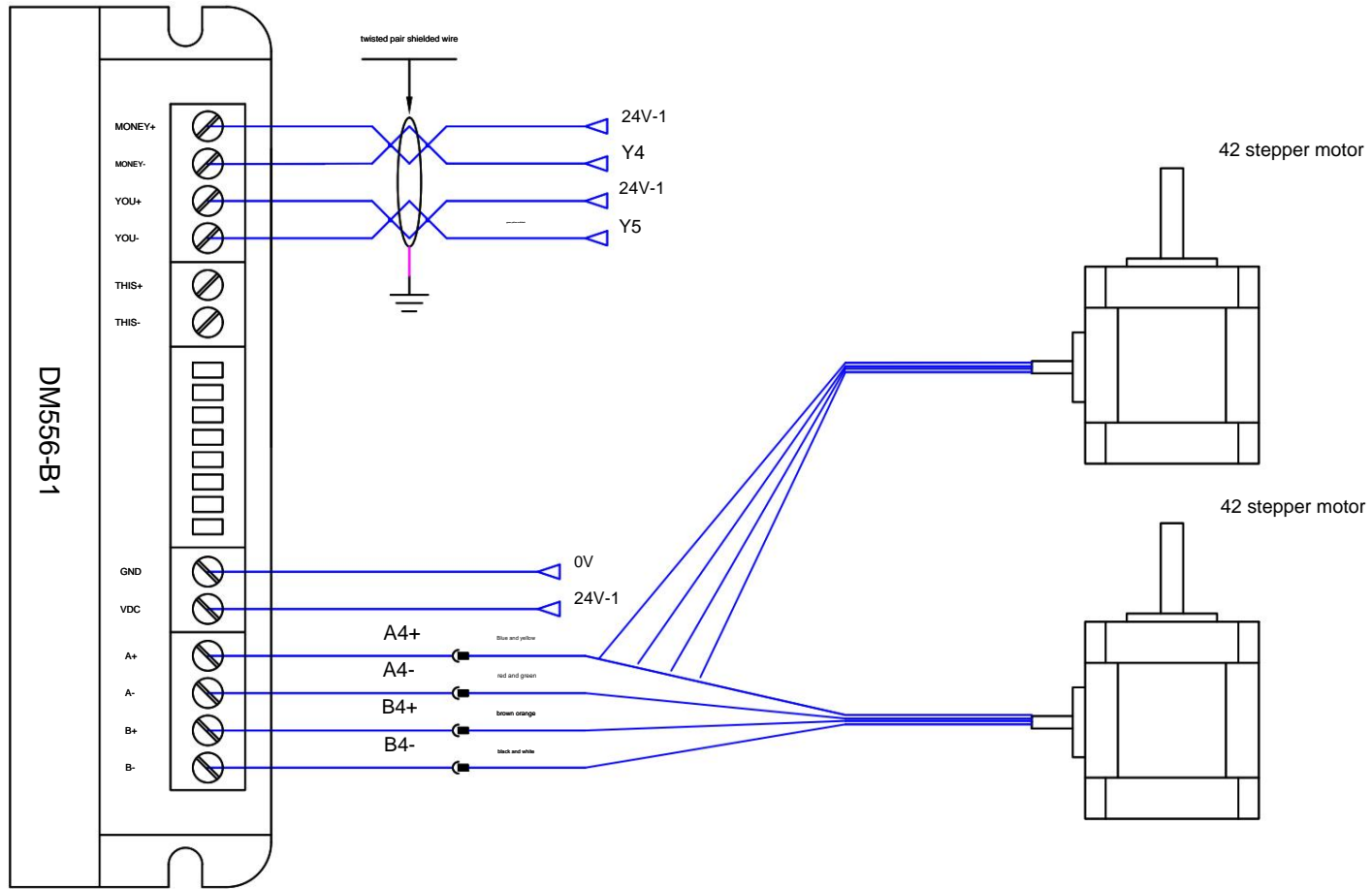
Design	Wang Bing		Stepper motor connector		
Craft					
Check			Monorail three-section NGRUFF electrical diagram	current page	8
				total pages	20



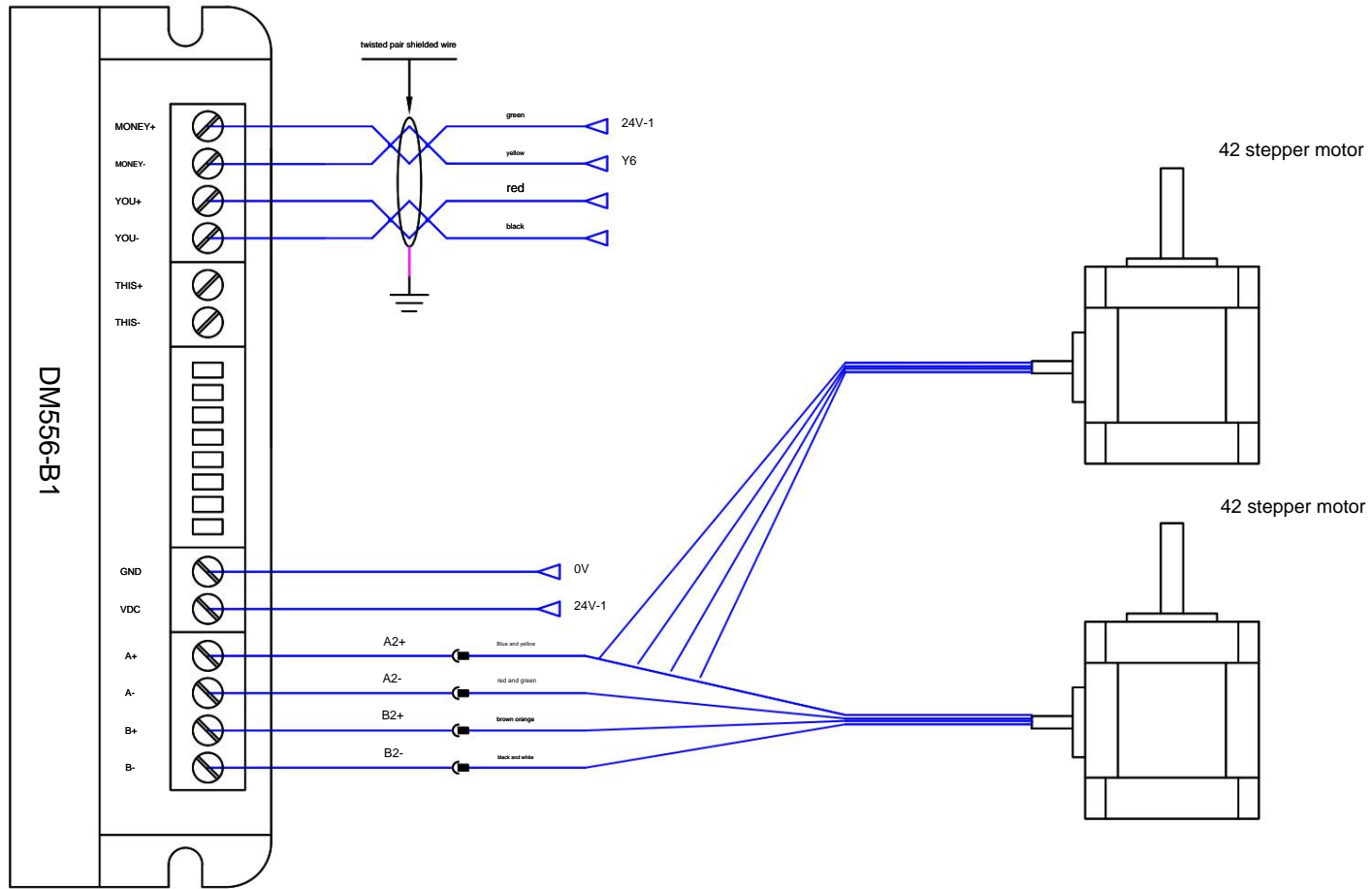
Design	Wahg Bing		Box width adjustment motor		
Craft					
Check			Monoral three-section NDRUFF electrical diagram	current page	9
				total pages	20



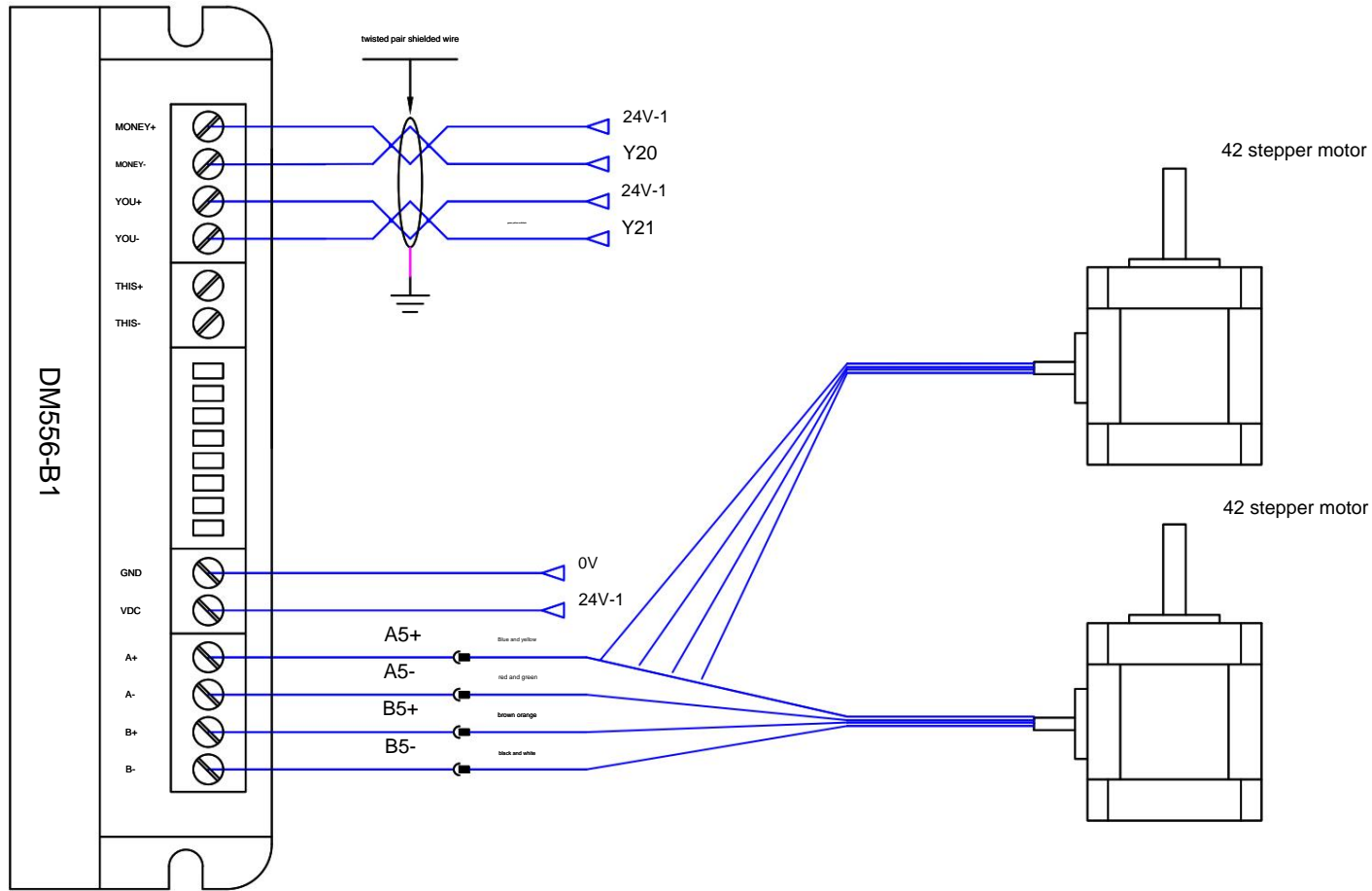
Design	Wang Bing		Lower material frame conveying motor		
Craft					
Check			Monorail three-section NDRUFF electrical diagram	current page	10
				total pages	20



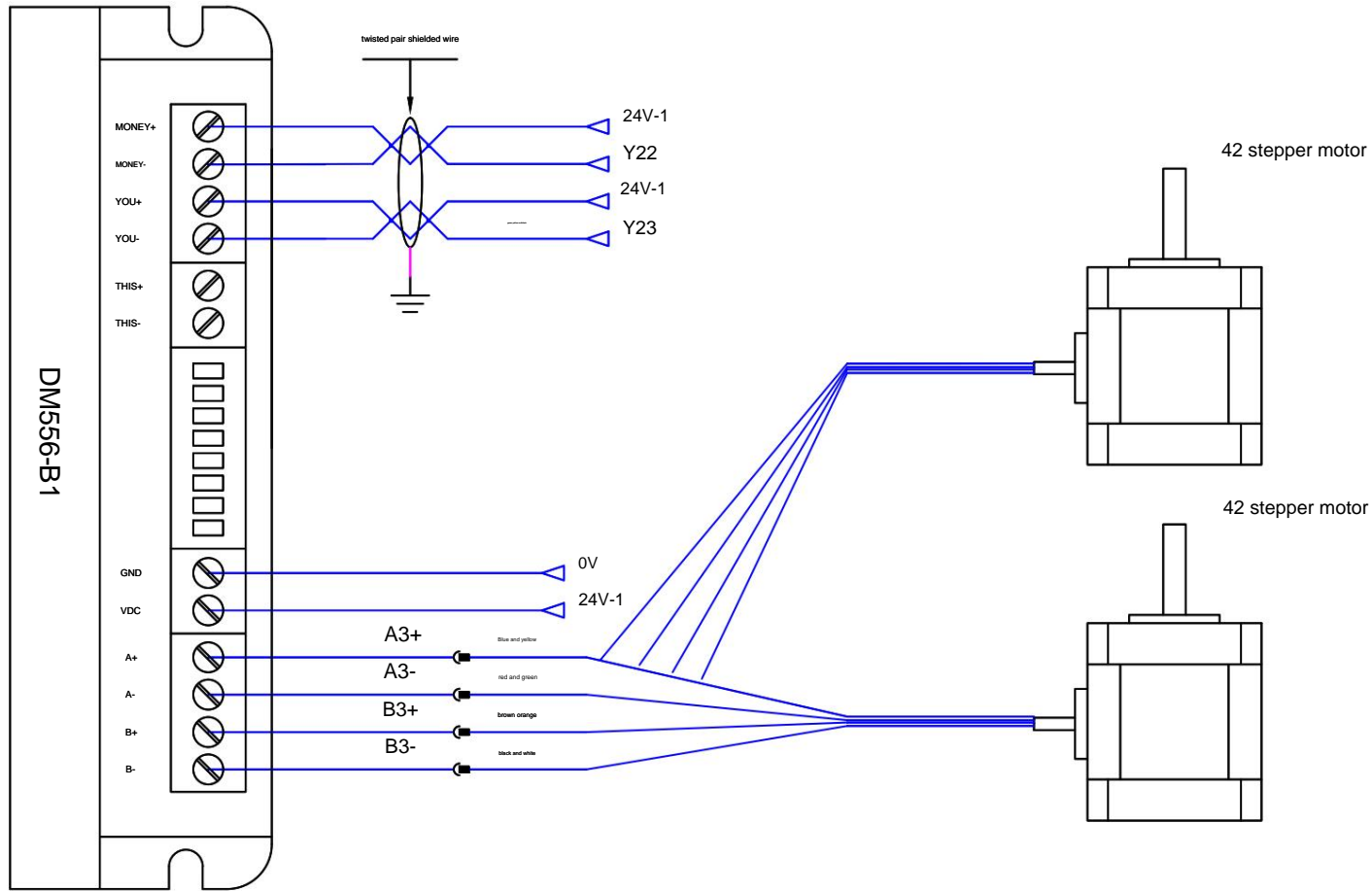
Design	Wang Bing		Upper material frame conveying motor		
Craft					
Check			Monorail three-section NDRUFF electrical diagram	current page	11
				total pages	20



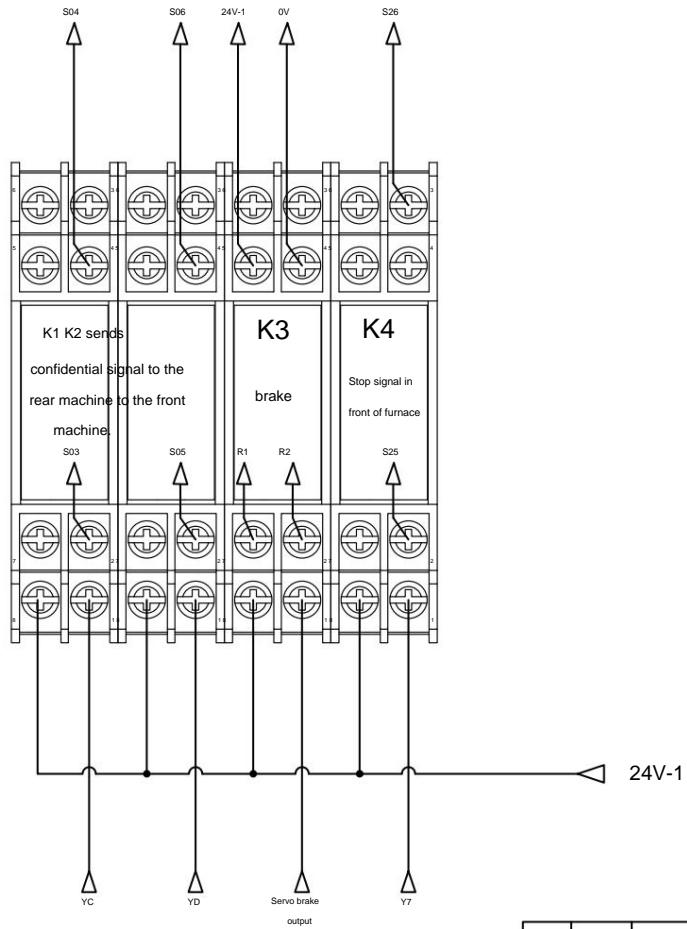
Design	Wang Bing	The lower front section is connected to the transmission motor		
Craft				
Check		Monoral three-section NGRUFF electrical diagram	current page	12
			total pages	20



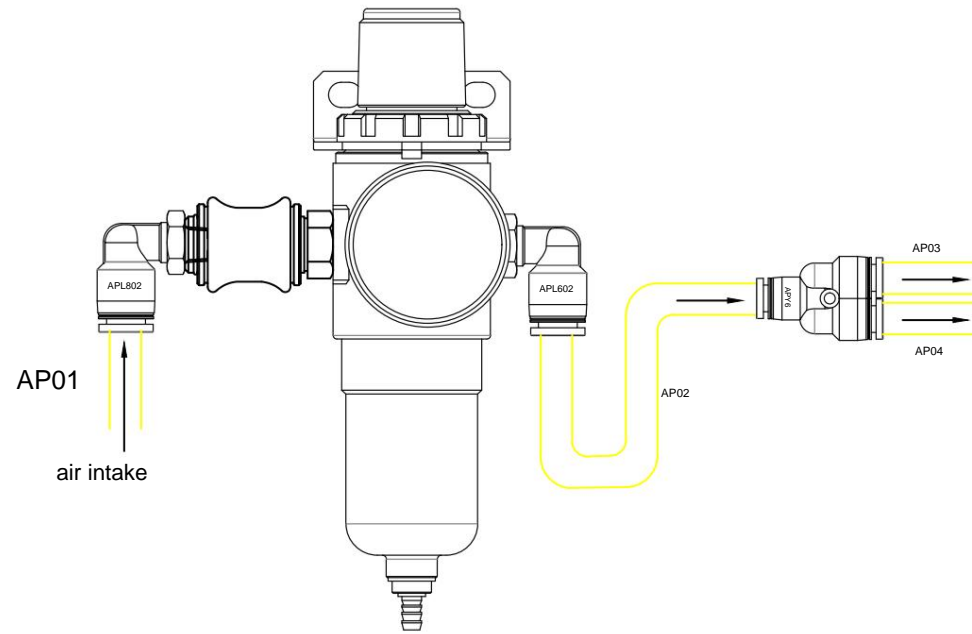
Design	Wang Bing		Rear section connection transmission motor		
Craft					
Check			Monorail three-section NDRUFF electrical diagram	current page	13
				total pages	20



Design	Wang Bing	The front upper layer is connected to the transmission motor		
Craft				
Check		Monorail three-section NDRUFF electrical diagram	current page	14
			total pages	20

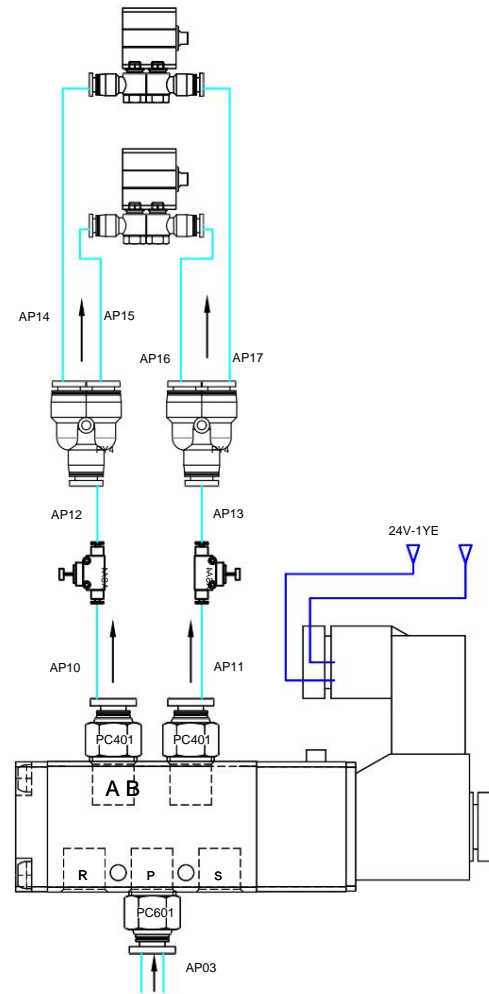


Design	Wahg Bing	Relay wiring diagram		
Craft				
Check		Monoral three-section NOBUFF electrical diagram	current page	15
			total pages	20



Design	Wahg Bing		General air circuit diagram		
Craft					
Check			Monoral three-section NOBLEFF electrical diagram	current page	16
				total pages	20

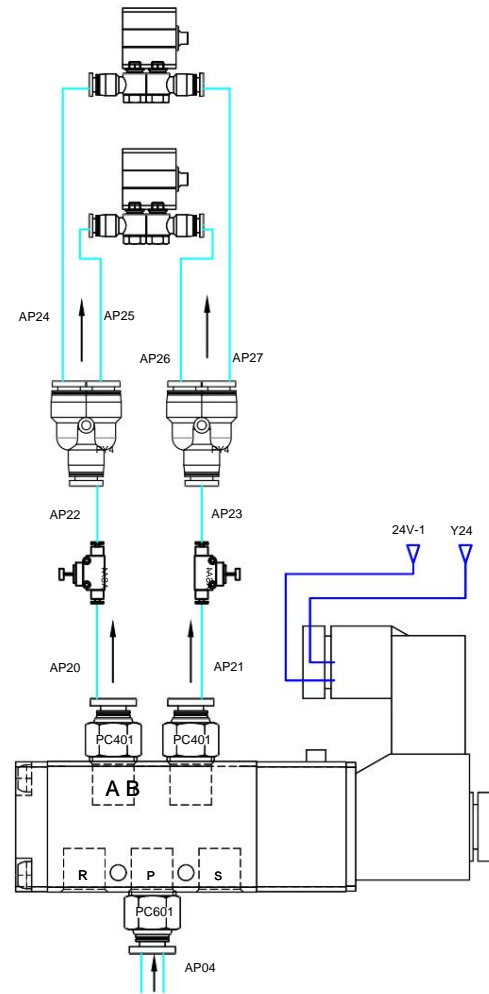
SOL1



Note: The trachea codes are in order sort

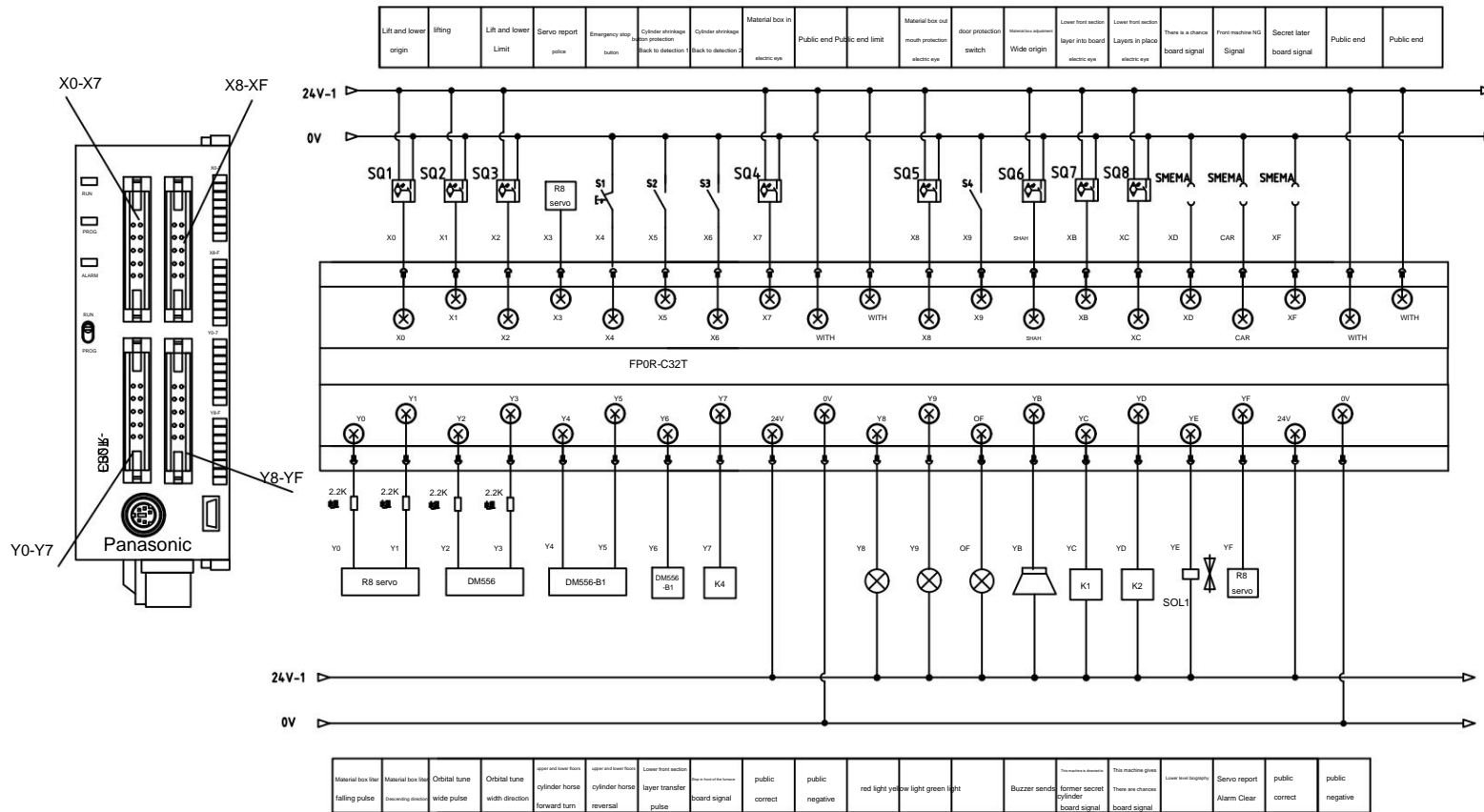
Design	Wang Bing		Lower cylinder		
Craft					
Check			Monoral three-section NGBUFF electrical diagram	current page	17
				total pages	20

SOL2



Note: The trachea codes are in order sort

Design	Wang Bing		Upper cylinder		
Craft					
Check			Monorail three-section NGRUFF electrical diagram	current page	18
				total pages	20



Design	Wang Bing	PLC input and output table 1		
Craft				
Check		Monorail three-section NGRUFF electrical diagram	current page	19
			total pages	20

