



SP-1200 Semi-Automatic Screen Printer

High-Precision SMT Solutions for
Seamless Automation.

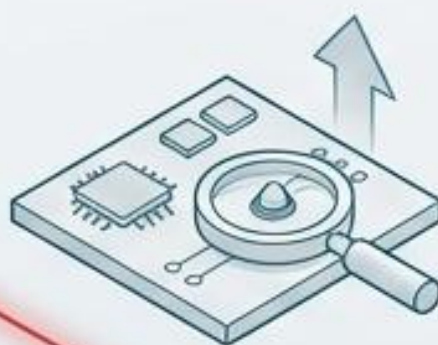


The SMT Manufacturing Dilemma



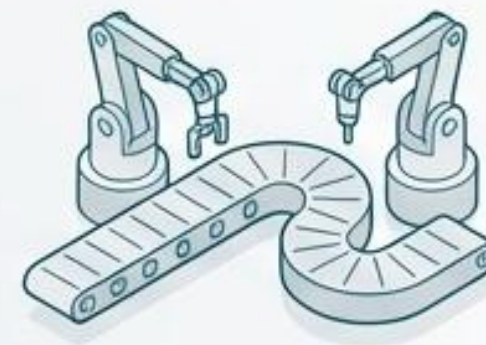
High Capital Scrutiny

Fully automated production lines demand massive upfront CapEx, extending ROI timelines.



Yield Inconsistency

Manual or low-tier printing machines compromise PCB quality and generate unacceptable defect rates.



Integration Friction

Rigid, oversized equipment disrupts agile production floors and limits multi-panel processing.

Engineering the Sweet Spot



Fast ROI

Achieve near-automated output levels at a fraction of the capital expenditure.



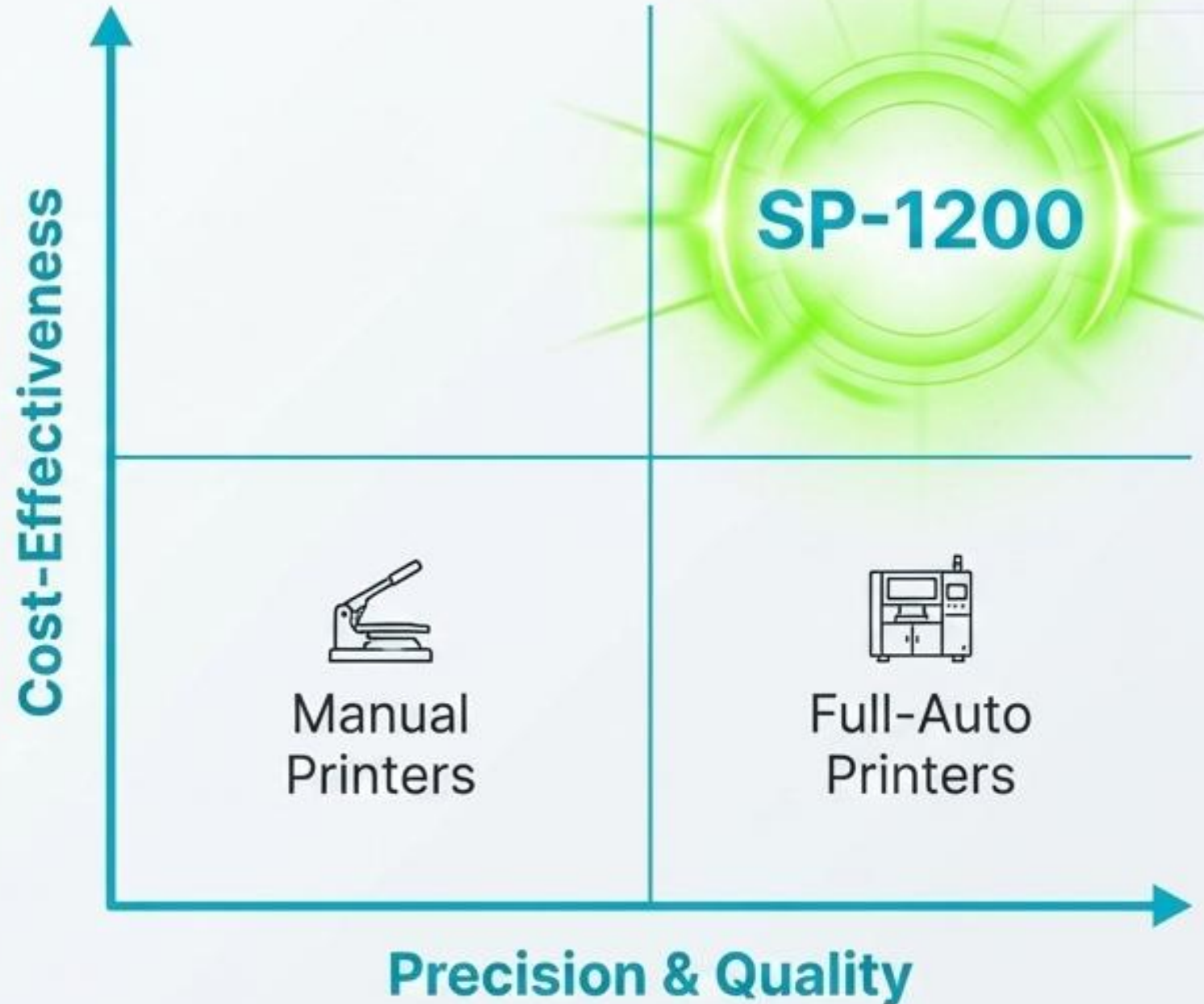
Cost-Effectiveness

Built with premium-tier components (Mitsubishi, Delta, SMC) at mid-market accessibility.



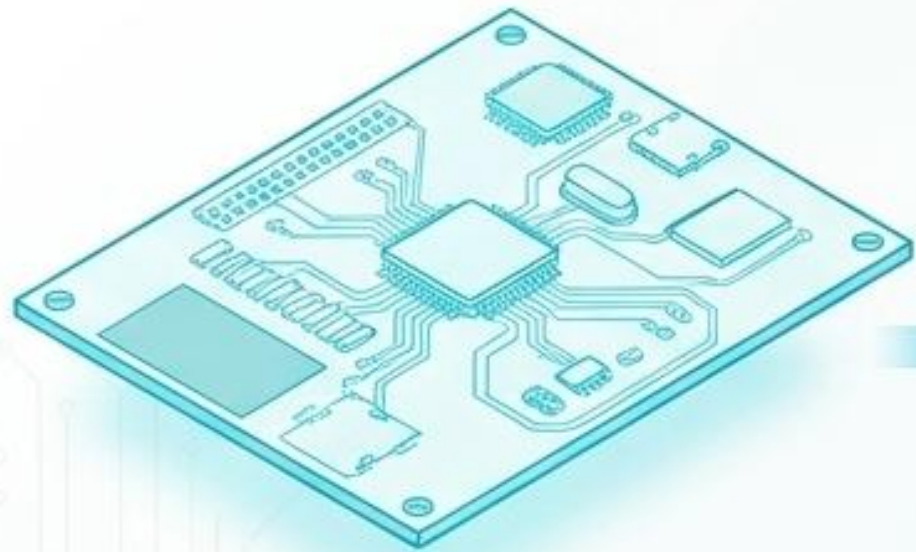
Seamless Automation

Intuitive man-machine dialogue and rapid setup for universal PCB compatibility.

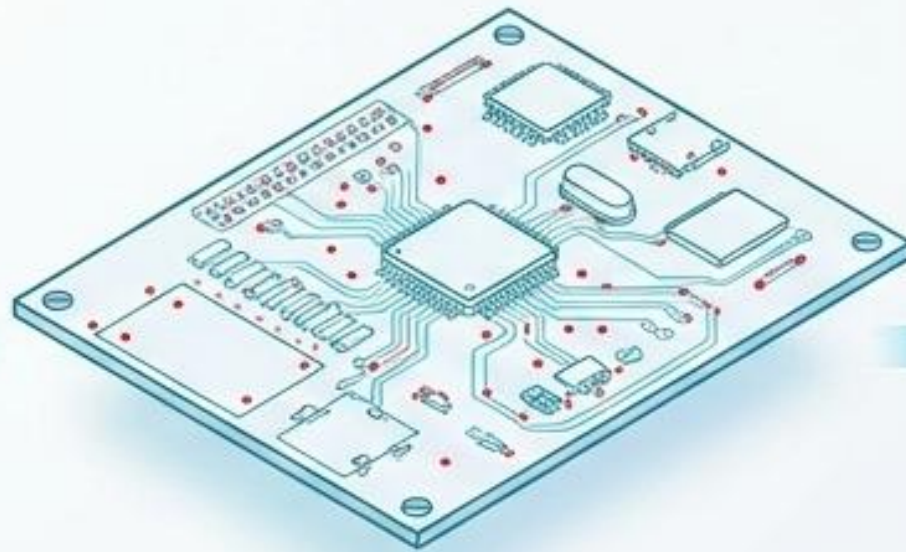


Versatile SMT Application Scope

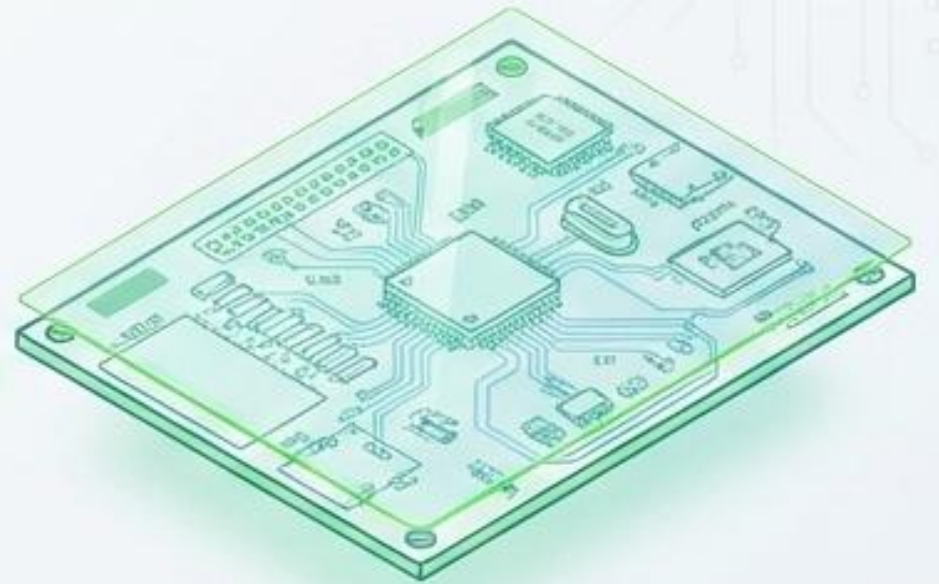
Engineered for multi-material circuit board processing across diverse production requirements:



Solder Paste Printing



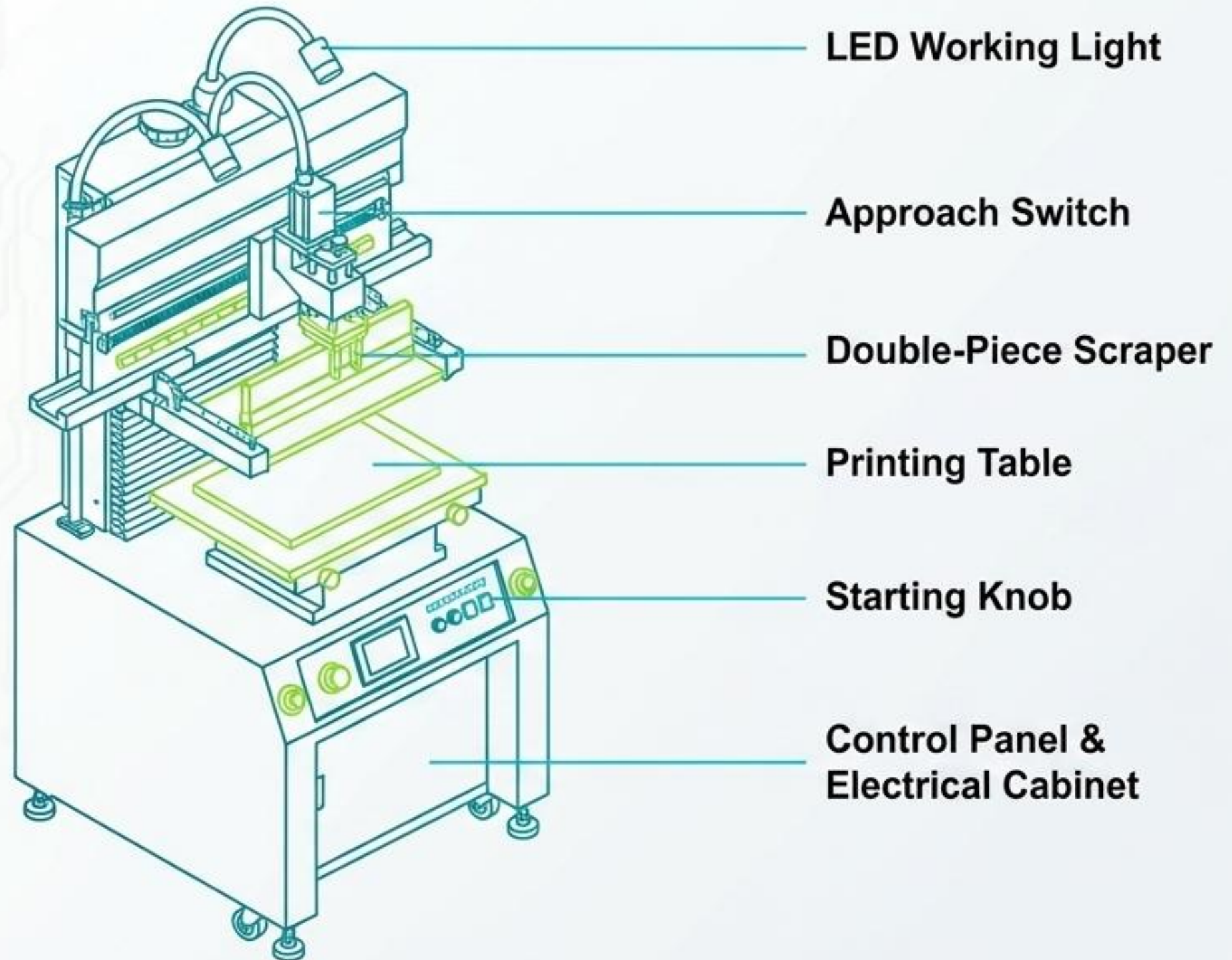
Red Gum Application



**Silk Screen Cover /
Instrument Markings**

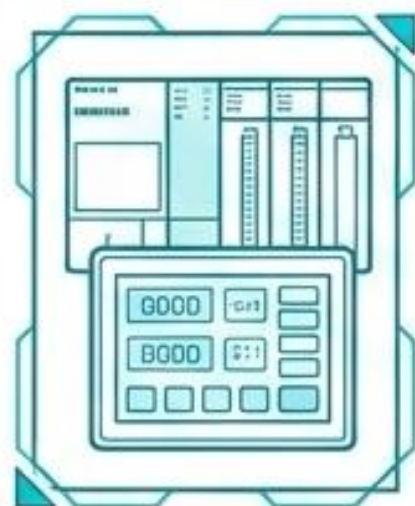
Uncompromising Machine Structure

Built for stability. Engineered for speed. Guaranteed precision.



Precision Motion Control & Drive System

Control Center



Mitsubishi PLC + Touch Screen

Delivers high-speed response, precise positioning, and stable man-machine dialogue. Includes a screen saver function to protect interface lifespan.

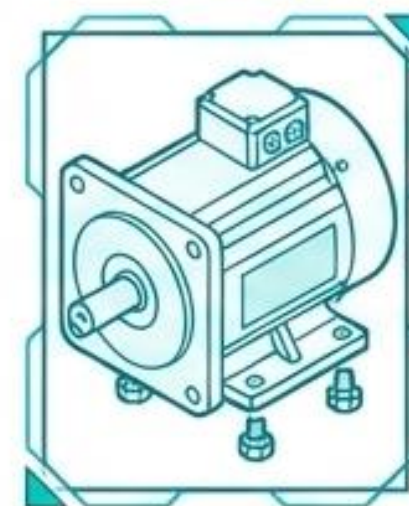
Drive Converter



Delta Frequency Converter

Ensures perfectly balanced running and even-speed operation.

Driving Motor



Korean SPG Motor

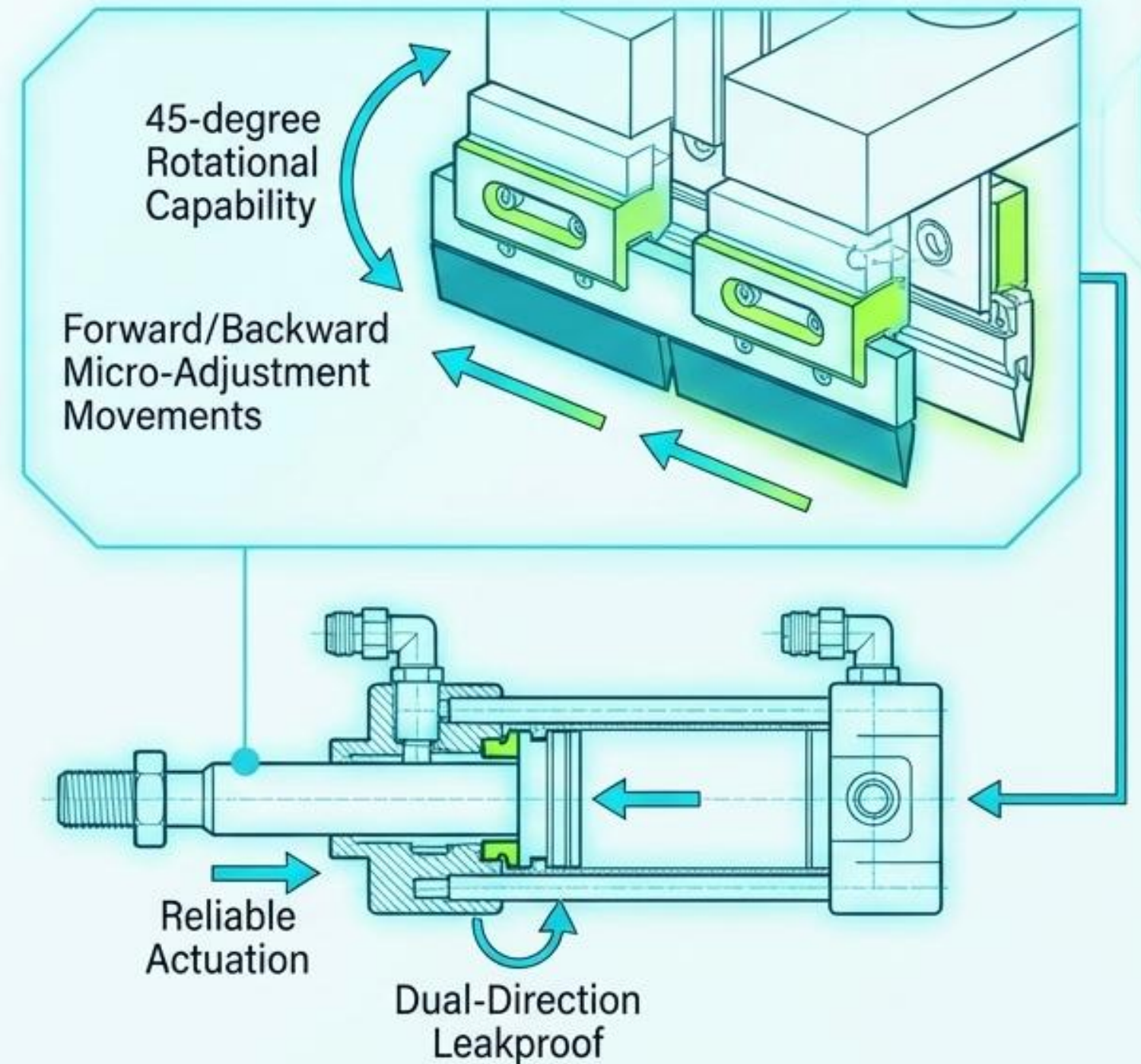
Guarantees sustained operational force and even speed for continuous scraper movement.

Dynamic Tooling Mechanics

SMC Cylinder: Features a piston seal with a dual-direction leakproof structure for supreme sealability and reliable actuation.

Two-Blade Design: High-efficiency scraper system. Angle is 45-degree adjustable (fixed upwards) for easy halftone printing, cleaning, and steel/rubber blade replacement.

Taiwan CSK Guides: Force-motor driven guides ensure absolute, uncompromising printing precision.



Seamless Operator Integration

- **Rapid Adjustment:**

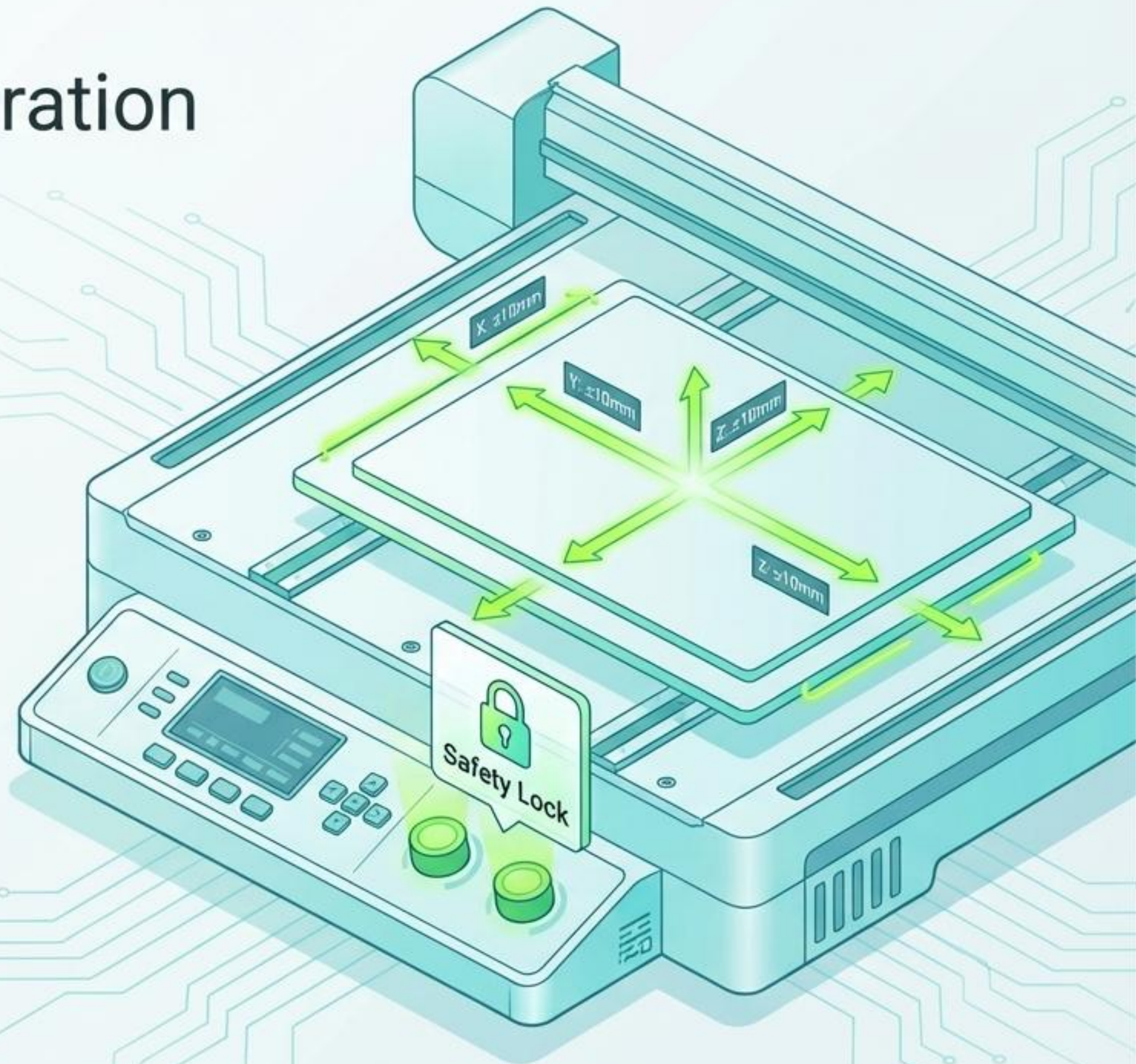
Combined printing platen utilizes a fixed groove and PIN system. Highly suitable for rapid installation of both single and double panel prints.

- **Micro-Calibration:**

Steel net movement enables rapid, fine-tuned X, Y, and Z axis correction (Front/Back $\pm 10\text{mm}$, L/R $\pm 10\text{mm}$).

- **Absolute Safety:**

Double-knob starting switch design strictly prevents malfunction and ensures operator safety during every cycle.



Performance Data Dashboard

Model

SP-1200

Printing Area

320 × 1250mm

PCB Size Constraints

300 × 1200mm

Thickness

0.2 - 2.0mm

Printing / Repeat Precision

±0.02mm

Scraper Speed

0 - 100mm/sec

Minimum Distance

0.35mm

Air Compressor Reqs

4 - 6kgf/cm²

Power

220V, 50/60Hz, 100W

Weight

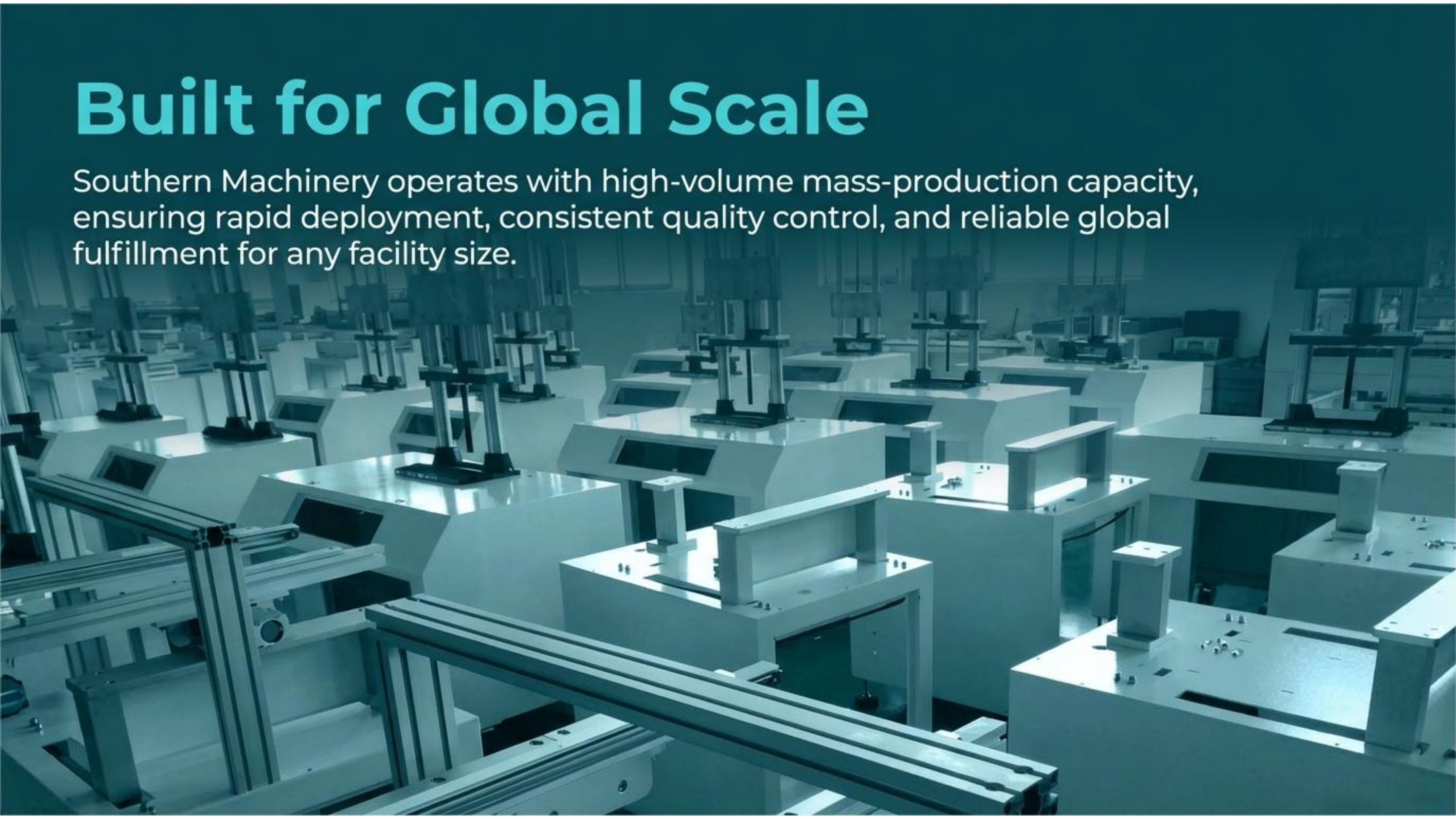
~550kg

Physical Footprint

L1920 × W900 × H1650mm

Built for Global Scale

Southern Machinery operates with high-volume mass-production capacity, ensuring rapid deployment, consistent quality control, and reliable global fulfillment for any facility size.



UPGRADE YOUR SMT LINE TODAY



**Shenzhen Southern Machinery
Sales and Service Co., Ltd**

Contact: Wendy

Email: wendy@smthelp.com

WhatsApp: +86 132 7773 4640

QQ: 3504759237

