

# SM-UVV106CM

## Automatic UV Curing System

High-Performance Curing  
for Smart EMS Factories



# Universal Material Compatibility

> 98%

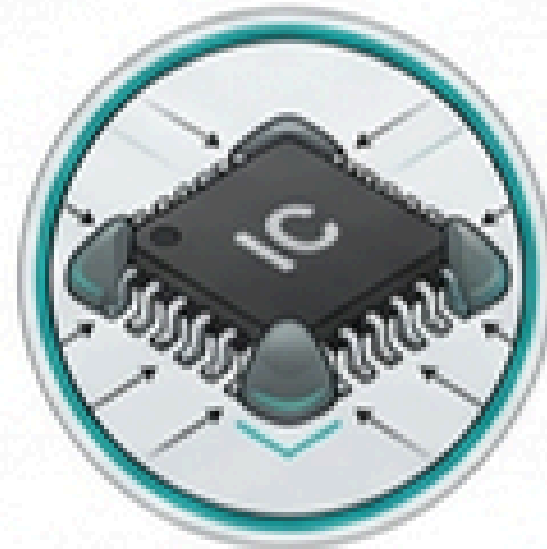
Market Glue Compatibility



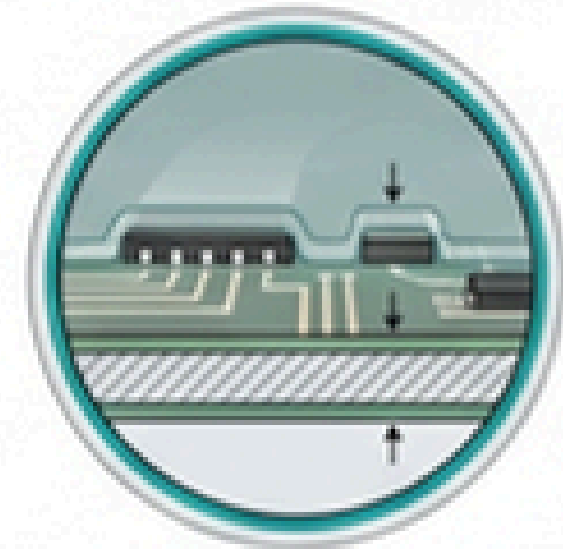
Standard UV Glue



Light & Shadow Glue



SMT Encapsulants

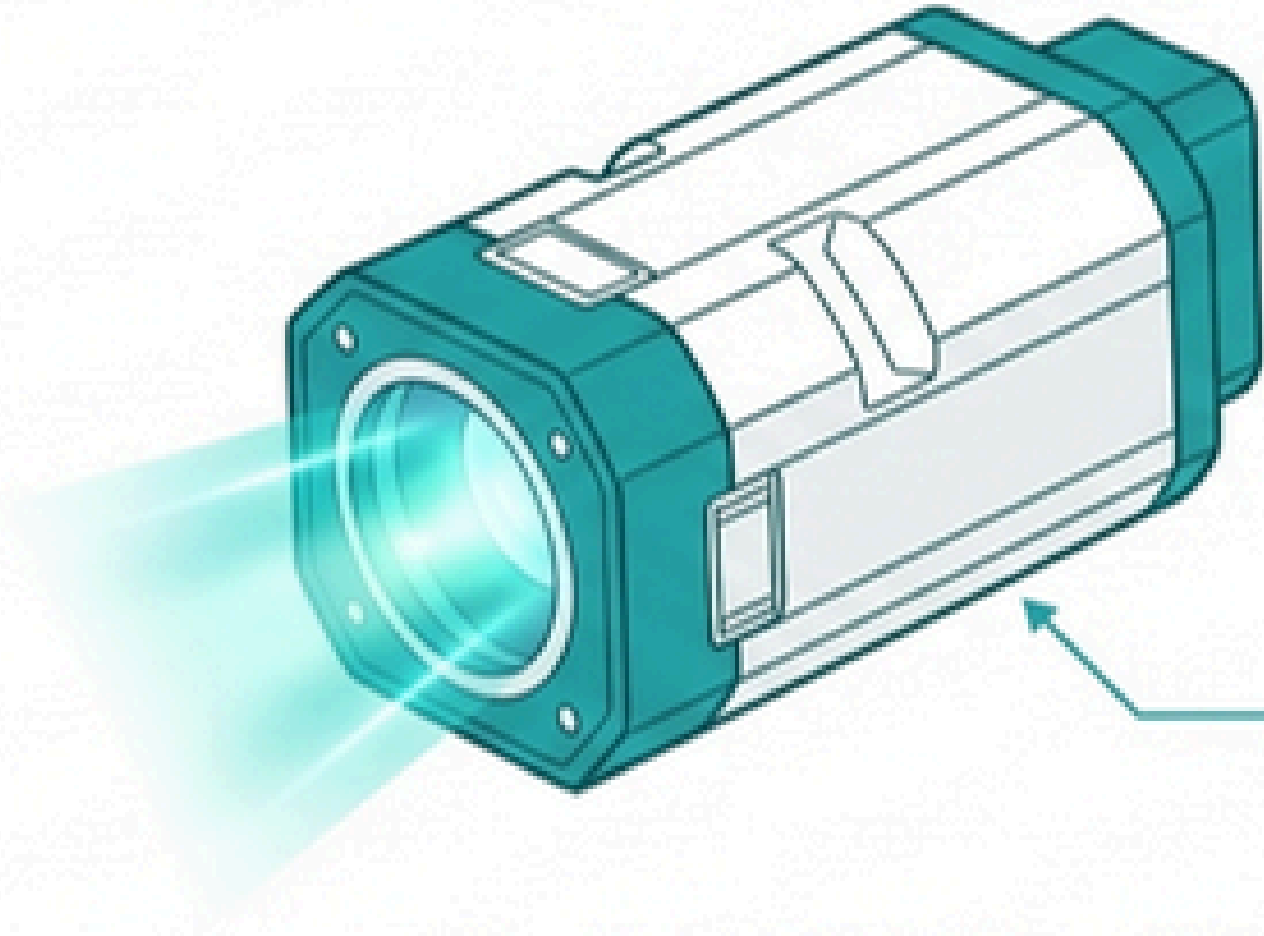


Surface Paints

One machine manages high-mix production requirements without hardware changes.

# The Curing Engine

Electrodeless Lamp System

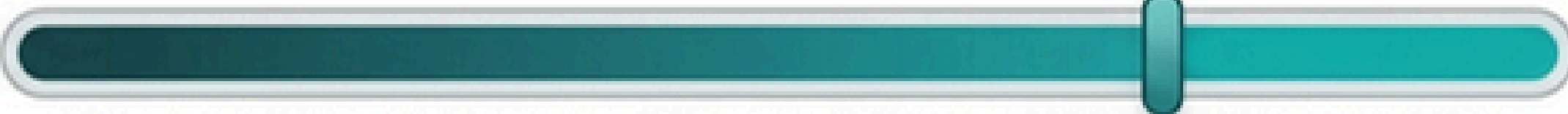


Irradiation Height: 100~120mm  
Throughput Speed: 0-2.5m/min  
Target Curing Effect: 70-96%

Energy output matched to line speed prevents over-curing.

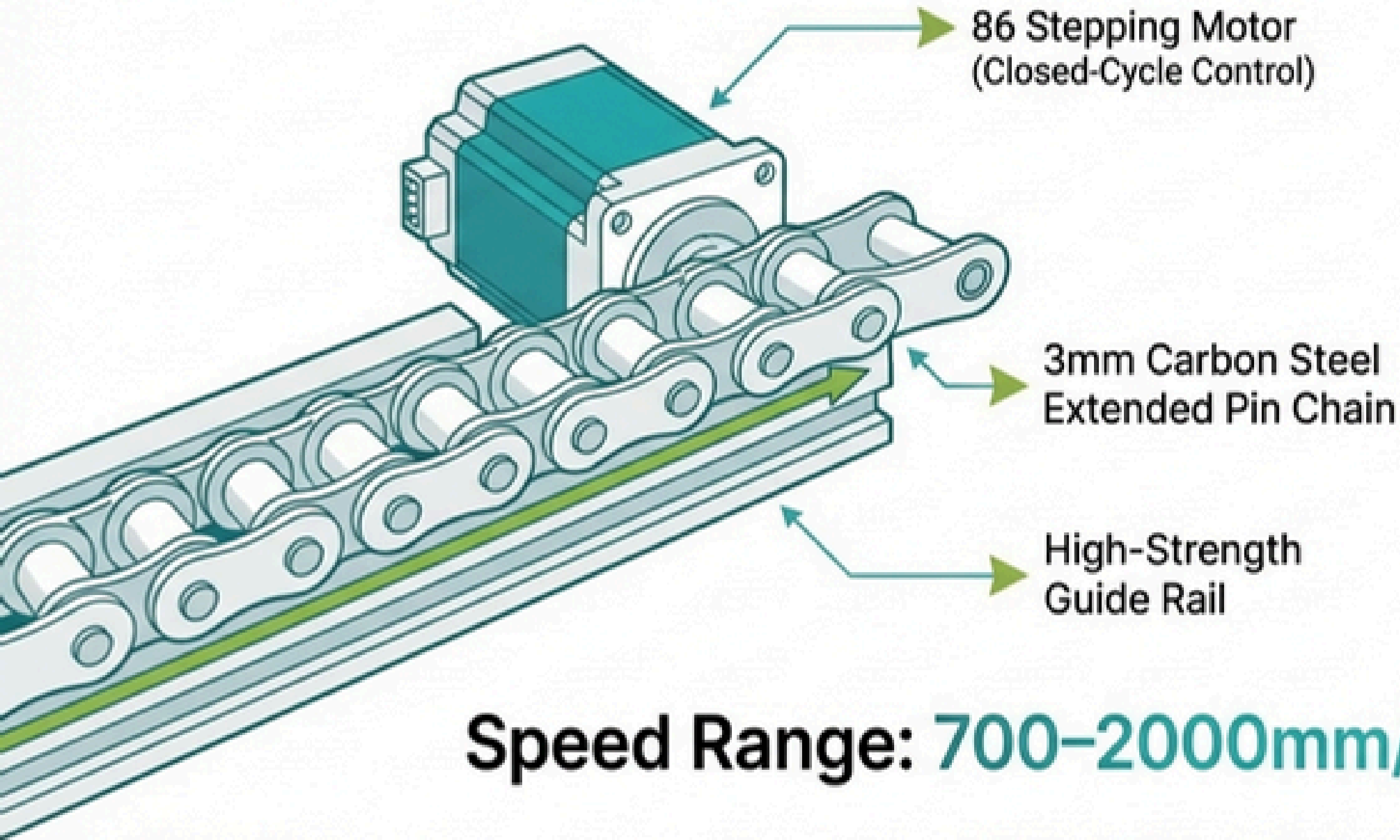
Freely Adjustable Power

1KW



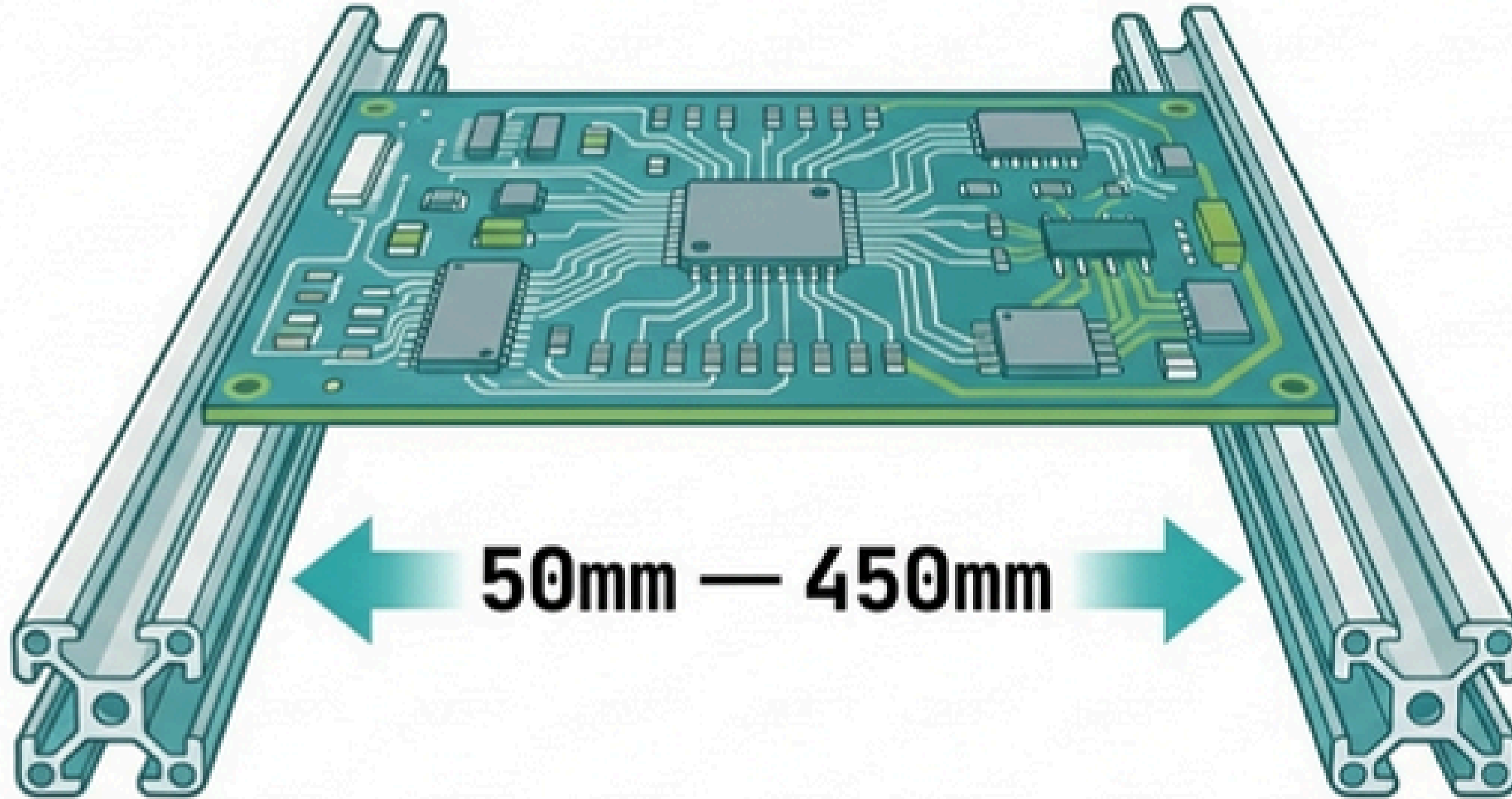
6KW

# Transmission Stability



Constant velocity ensures uniform dosage across every millimeter of the PCB.

# Width Adjustment & Flexibility



Suspension Width Adjustment System

## Technical Specs:

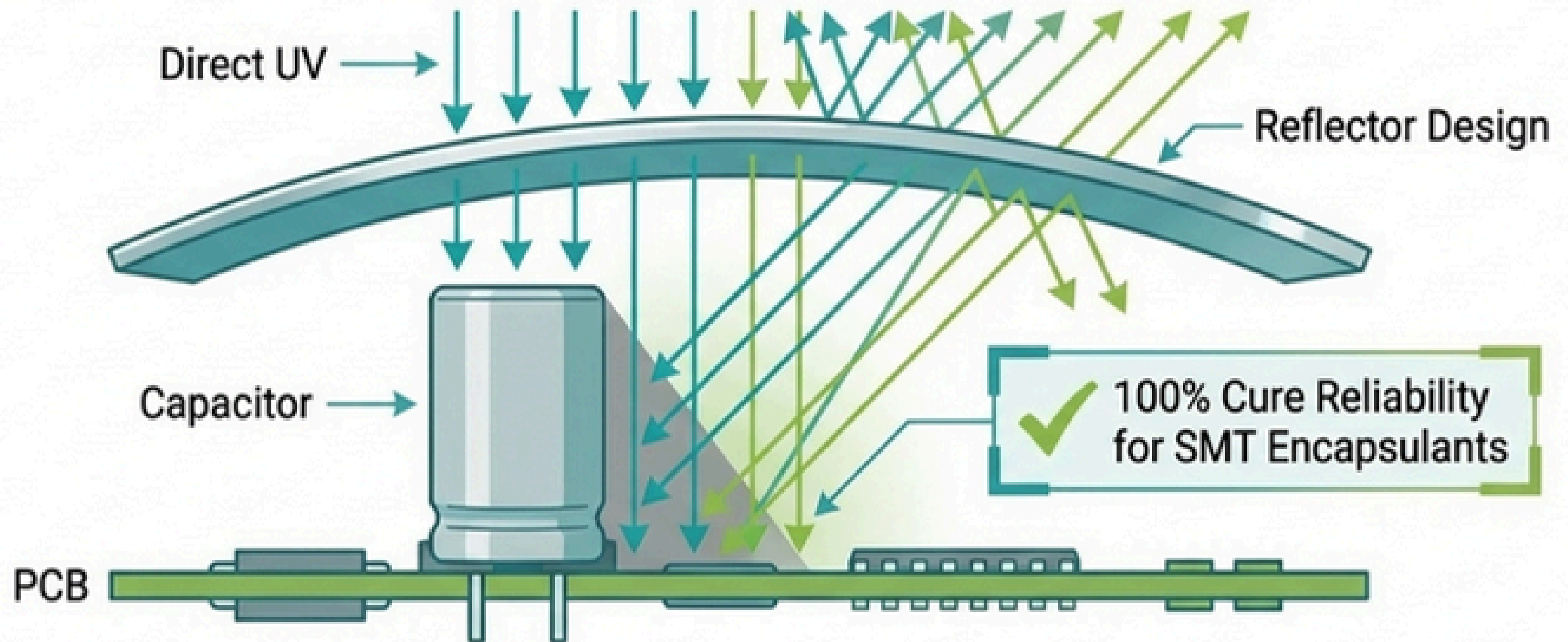
- Rail Profile: 51 × 56mm Aluminum
- Max Board Width: 450mm
- Adjustment: Manual + Panel Control

## Problem/Solution

### Design Benefit:

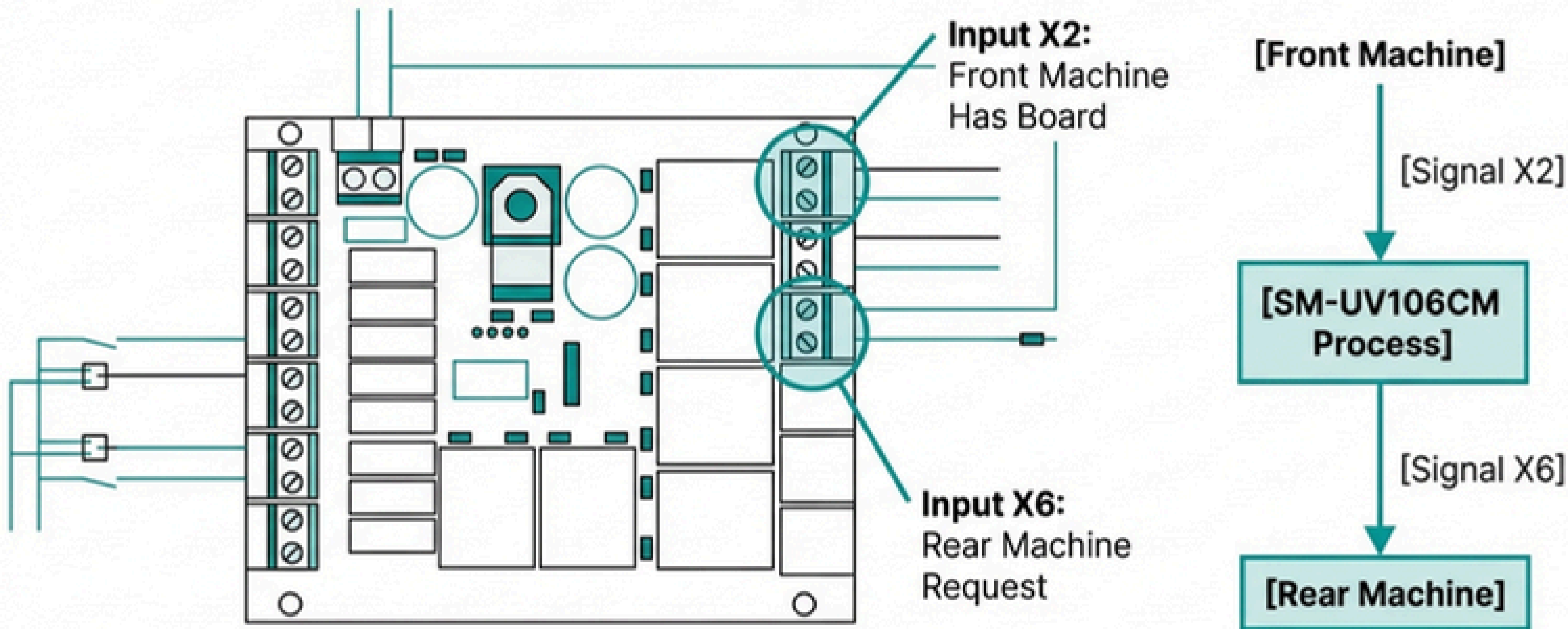
Minimizes thermal deformation of rails under high UV heat.

# Solving the 'Shadow' Problem



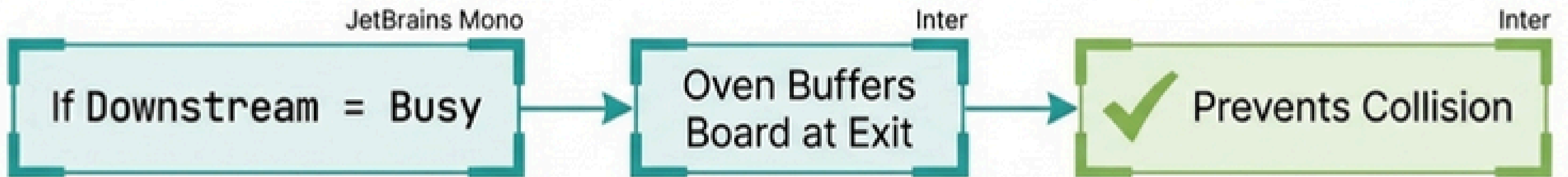
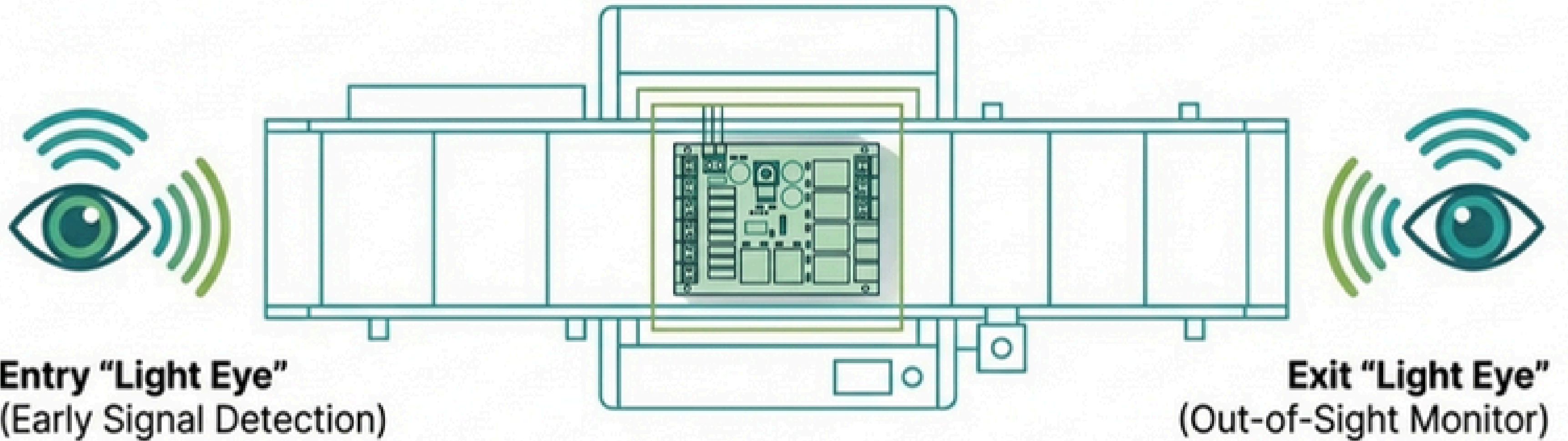
Supports Dual-Cure and Light/Shadow Glues for complex high-density assemblies.

# Seamless Line Integration (SMEMA)

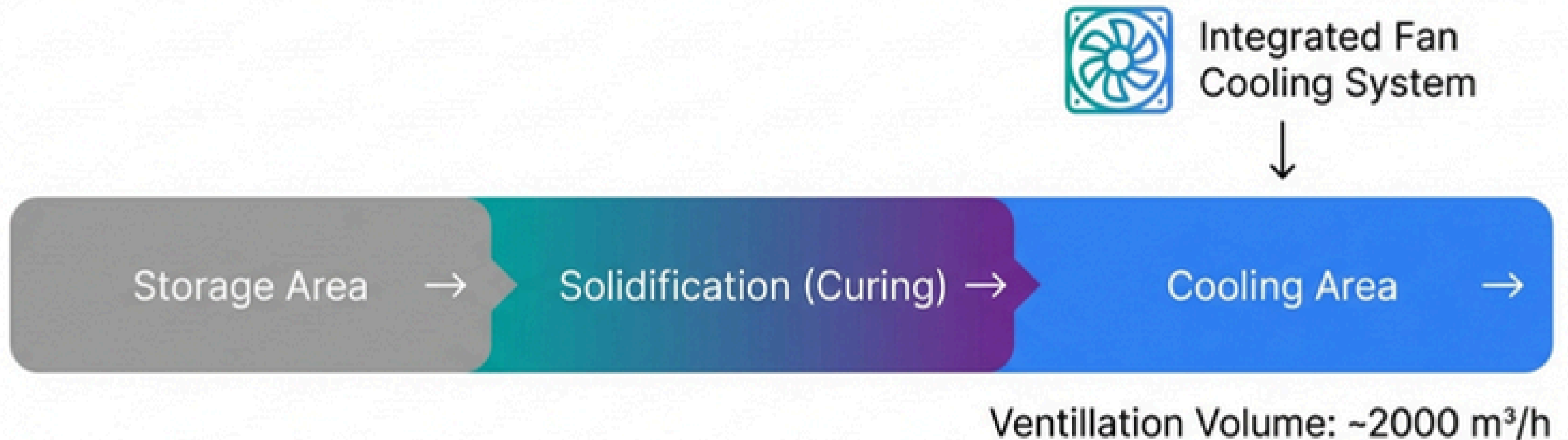


Compatible with **Panasonic, JUKI,** and **Yamaha** lines.

# Intelligent Traffic Control



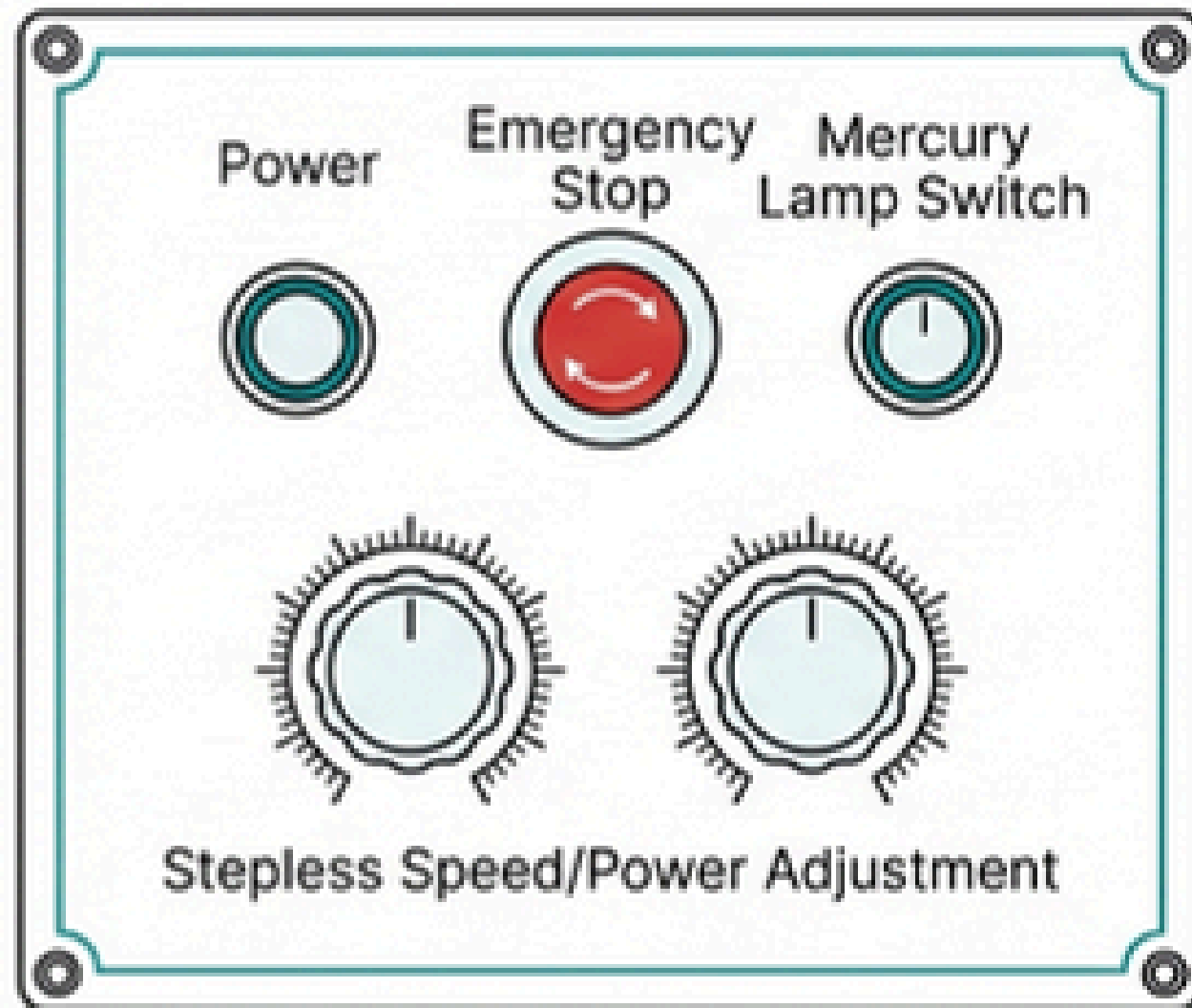
# Thermal Management



Boards exit at safe temperatures for immediate inspection or solder joint protection.

# Flexible Operator Interfaces

## STANDARD



## UPGRADE



Choose the interface that fits your operational complexity.

# Safety First & Easy Maintenance



## Over-Temperature Alarm

Buzzer/Voice activation  
+ Automatic Lamp  
Cutoff.



## Modular Maintenance

Independent light  
module design for  
rapid replacement.



## Hardware Protection

Fan delay (6 mins) &  
Emergency Stop  
integration.

# Technical Specifications Summary

PARAMETER	SPECIFICATION
Dimensions	1600mm (L) × 1000mm (W) × 1400mm (H)
Power Supply	380V / 7KW Total Load
Lamp Type	Electrodeless (1-6KW Adjustable)
Conveyor Width	50 – 450mm
Conveyor Height	900 ± 20mm
Conveyor Speed	0 – 2.5m/min
Cooling Method	Fan Cooling

# The Southern Machinery Advantage



Global Service: 237+ Clients



## Manufacturing Expertise

Shenzhen-based production since 2011.



## Innovation

Continuous R&D in SMT automation.



## Support

Production-ready solutions with long-term stability.

# Why Choose SM-UV106CM?

## Precision

1-6KW Adjustable Power & Closed-Cycle Speed Control.

## Intelligence

Full SMEMA Integration & Sensor Logic.

## Versatility

98% Glue Compatibility including 'Shadow' types.



# Optimize Your Curing Process Today



Contact your dedicated Sales Engineer:

**Jason Wu**

Senior Sales Engineer

Email: [jasonwu@smthelp.com](mailto:jasonwu@smthelp.com)

Phone/WhatsApp: +86-136-0256-2576

Website: [www.SMThelp.com](http://www.SMThelp.com)



Visit [SMThelp.com](http://SMThelp.com)

**Southern Machinery:** Smart Solutions for Smart Factories.