

Radial Tape Feeder: Precision Automation for Odd-Form Components



Radial Tape Feeder

Your Partner in SMT & THT Automation: Southern Machinery

2011

- **A Decade of Manufacturing Excellence:** Founded in 2011, with a singular focus on SMT and THT automation solutions for smart EMS factories.
- **Proven Expertise:** We empower leading electronics manufacturers globally, reducing costs and boosting productivity with production-ready solutions.

Our Core Values:



Quality Excellence: Uncompromising commitment to reliability and performance.



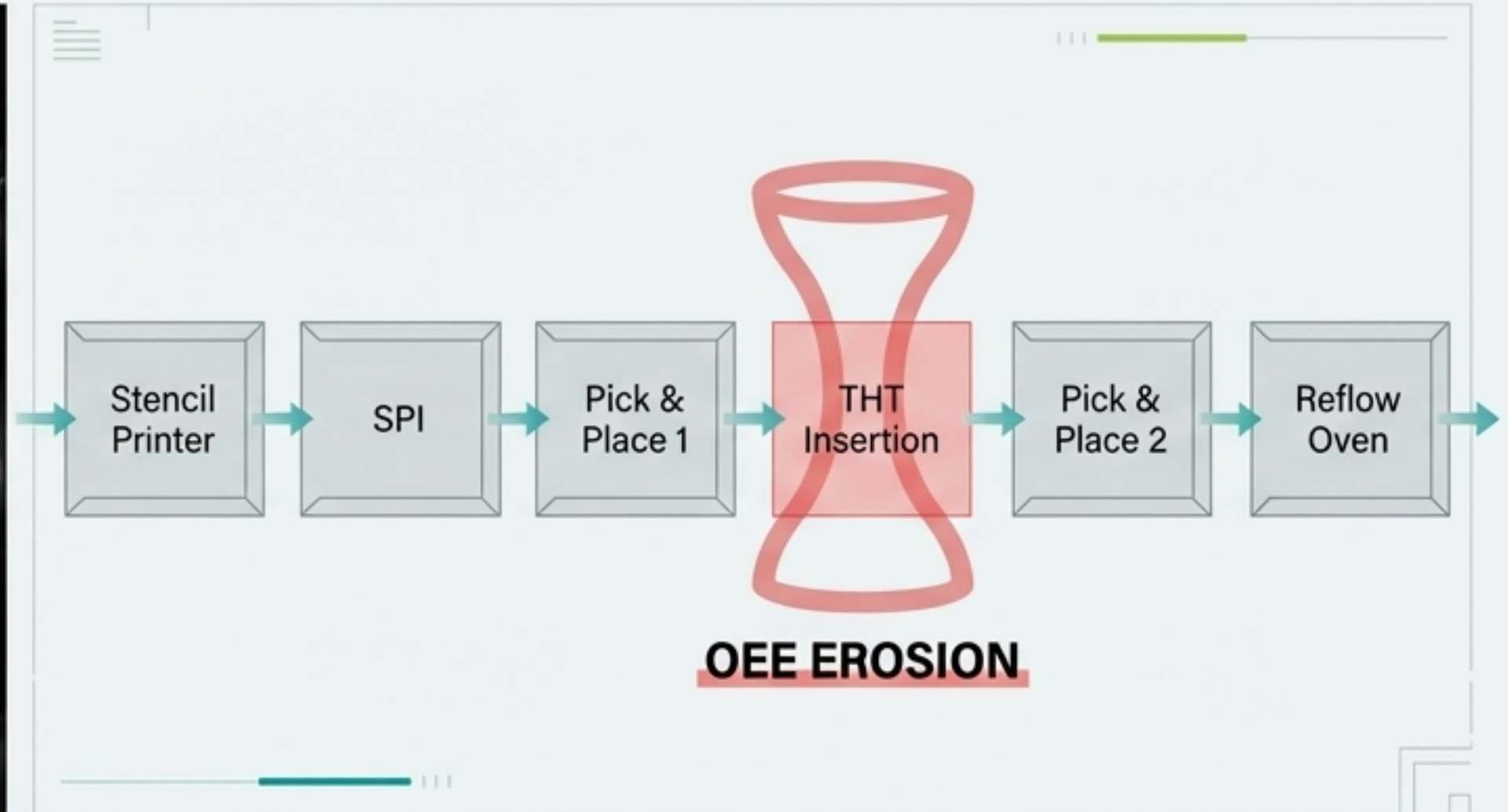
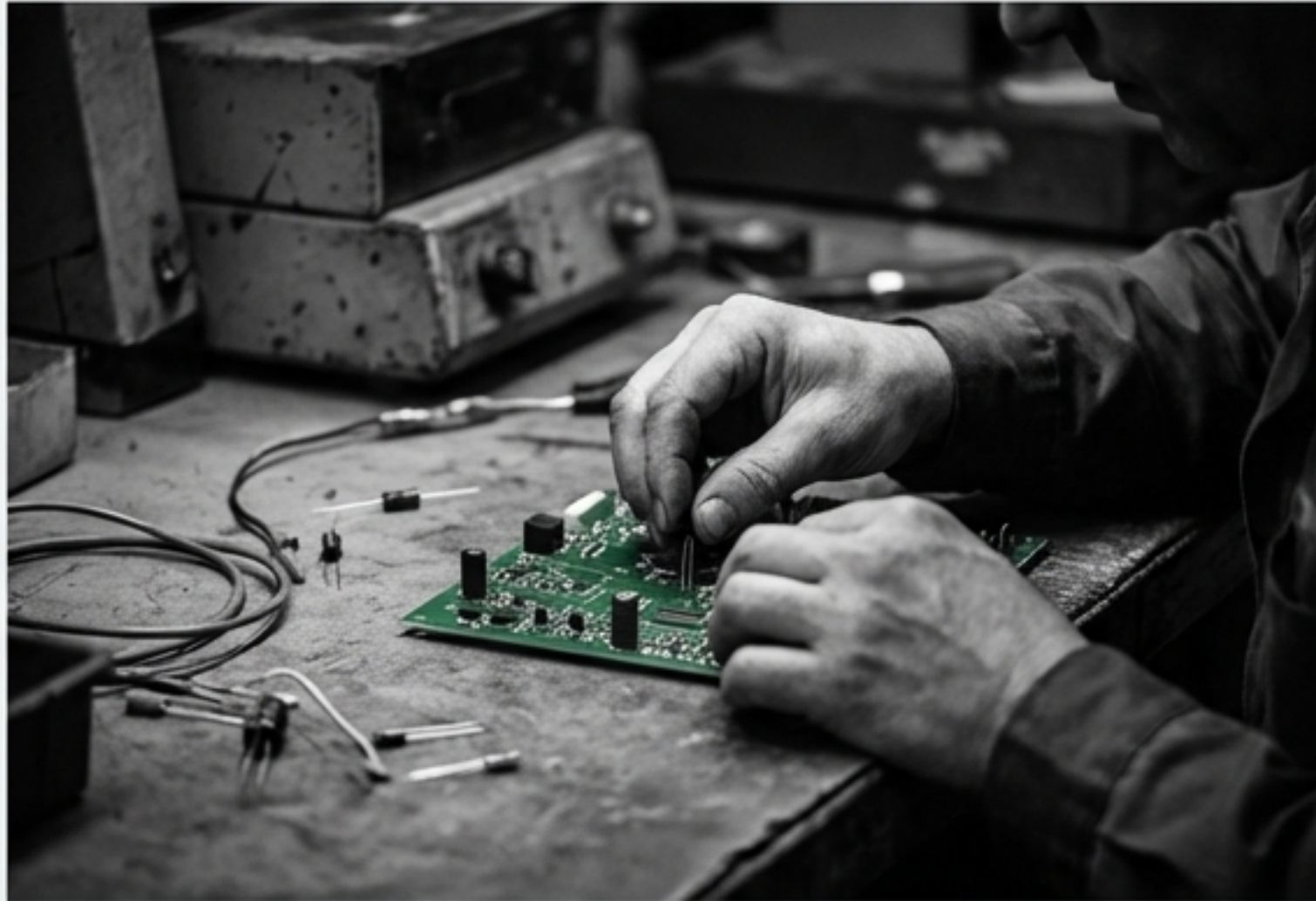
Customer-Centric Innovation: Engineering solutions for real-world factory challenges.



Global Service: Dedicated worldwide technical support and spare parts availability.

TODAY

The Odd-Form Bottleneck: Why THT Components Slow You Down



- **Manual Insertion is Inefficient & Inconsistent:** Manual operators typically place only 500-800 components per hour. This creates a massive speed disparity with your SMT line and introduces costly human error.
- **Legacy Feeders Cause Unplanned Downtime:** Older or poorly designed feeders are prone to jamming, especially with the varied packaging of radial components. Every line stop erodes your OEE.
- **The 'Slowest Link' Problem:** A single slow THT station restricts the throughput of your entire multi-million dollar SMT line. Your investment can only run as fast as its slowest process.

Our Solution: The Southern Machinery Radial Tape Feeder



Core Value Statement: Seamlessly integrate **through-** component placement into your high-speed SMT workflow with **unparalleled reliability** and **precision.**

Engineered for Performance and Integration



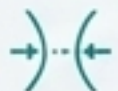
High-Speed Feeding:
7,200 CPH (0.5 seconds per component)



Flexible Pitch Support:
Easily handles standard **12.7mm** and **15.0mm** tape pitches.



Efficient Power & Drive:
Operates on standard **DC 24V** power with a reliable air-driven mechanism (**0.4-0.6 MPa**).

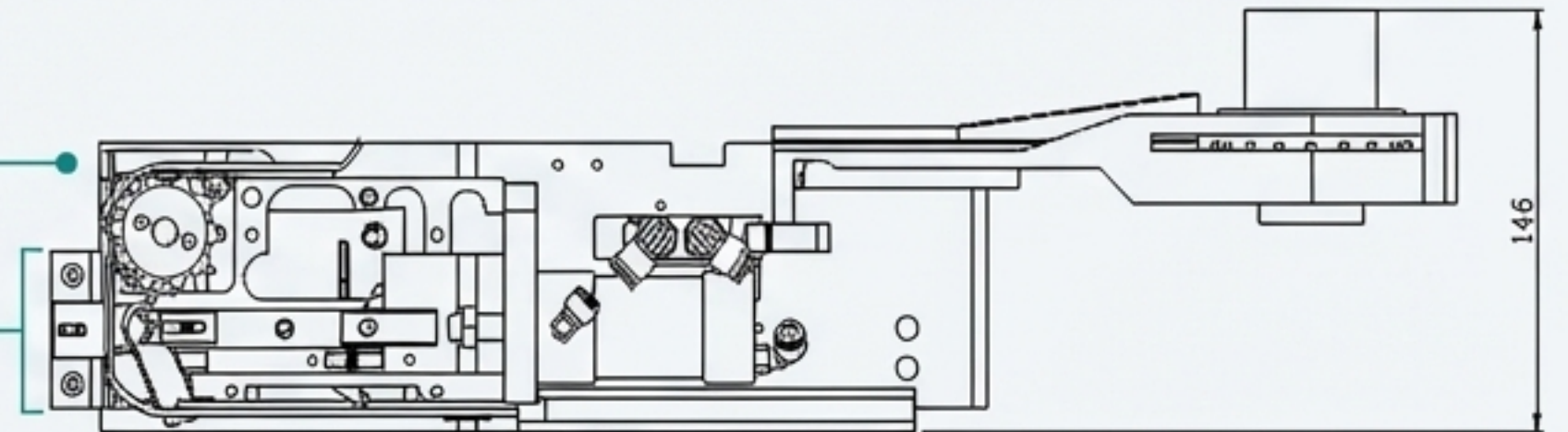
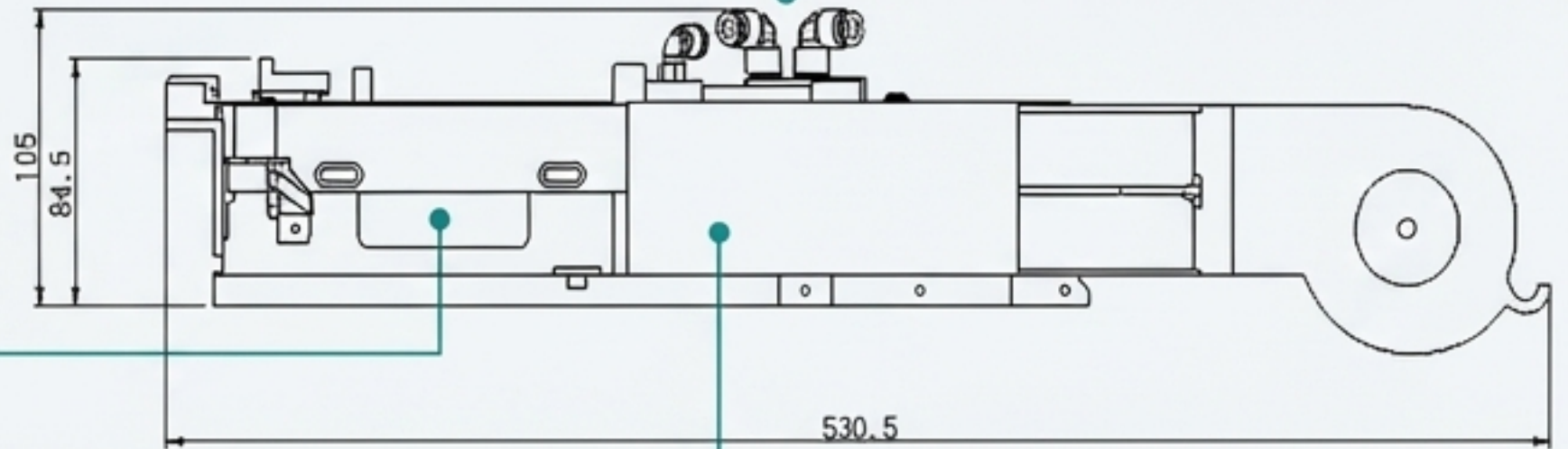


Wide Component Range:

- Component Body Diameter: **Up to 18mm**
- Component Height: **Up to 35mm**

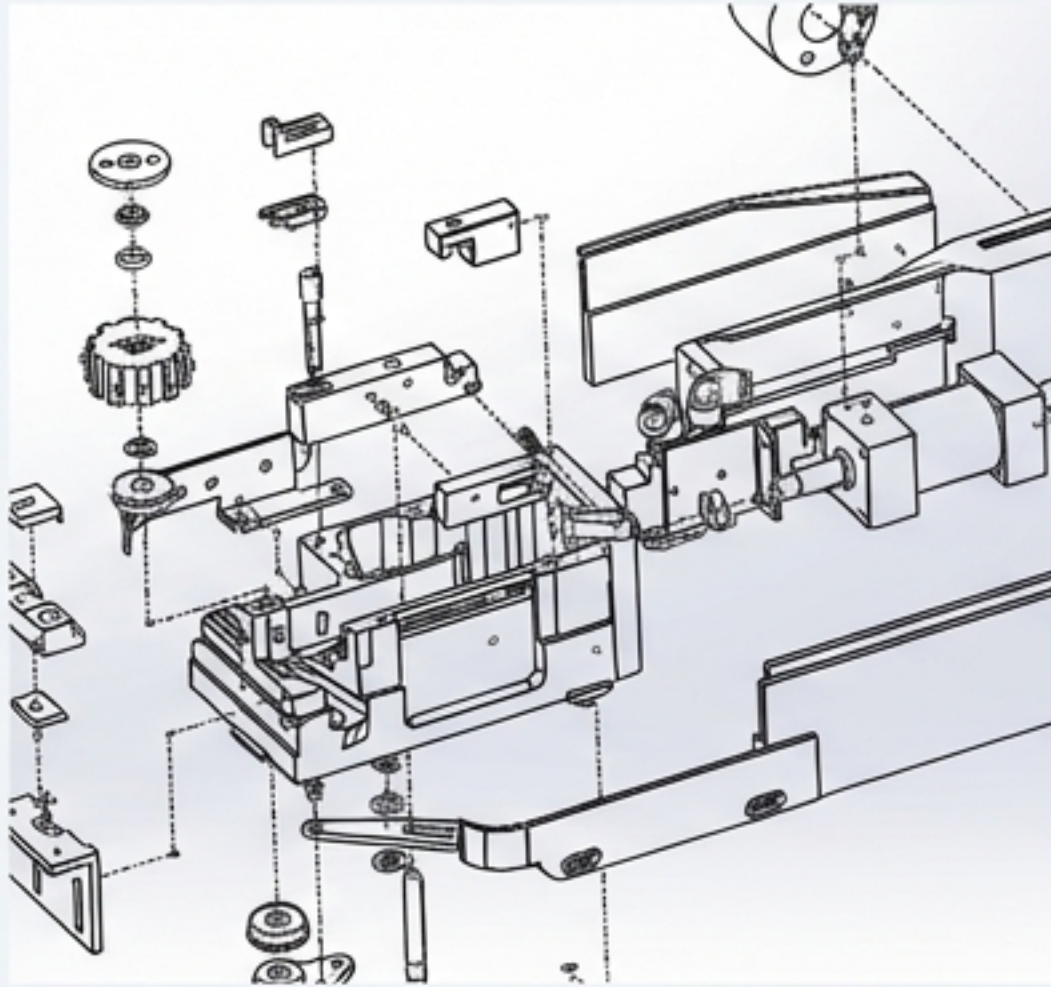


Compact Footprint:
550mm (L) x **110mm (W)**, maximizing feeder slot density on your machine.



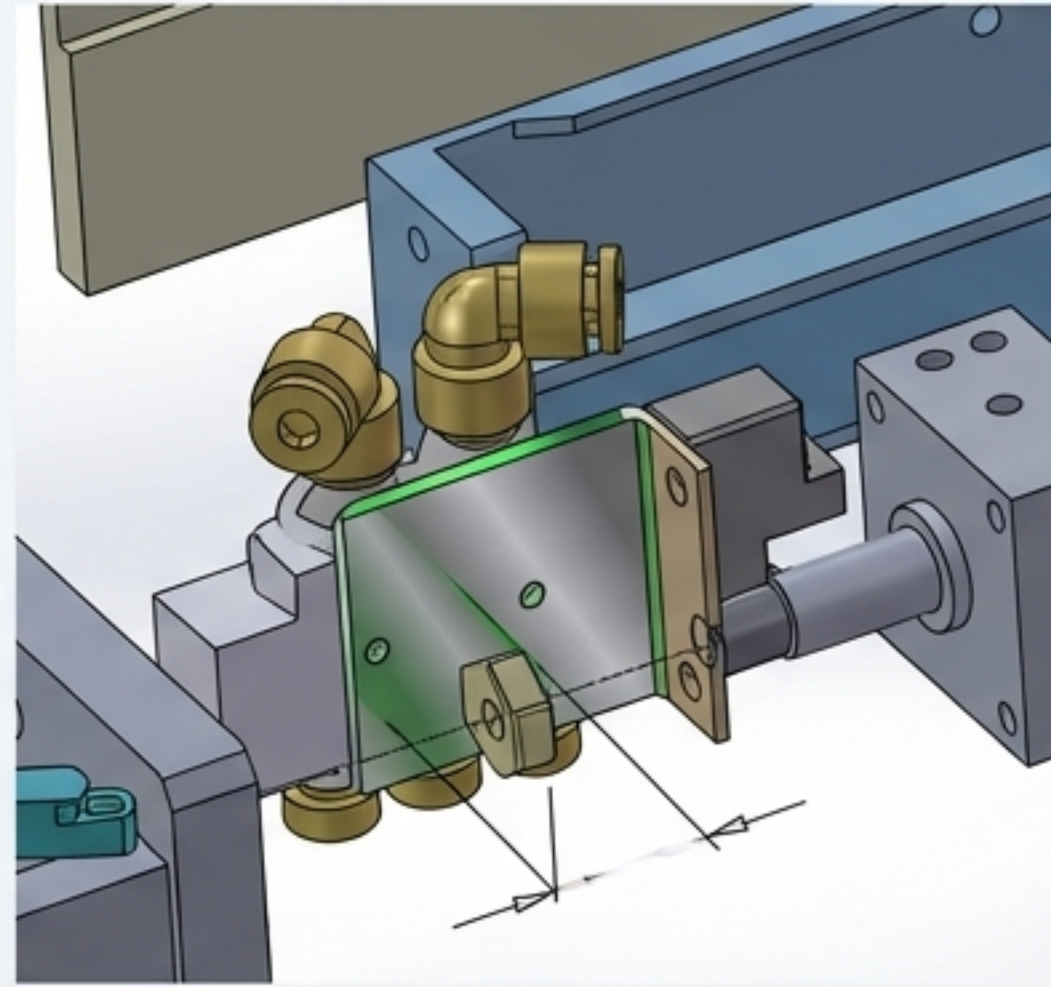
Superior Mechanical Design for Maximum Uptime

Anti-Jamming Mechanism



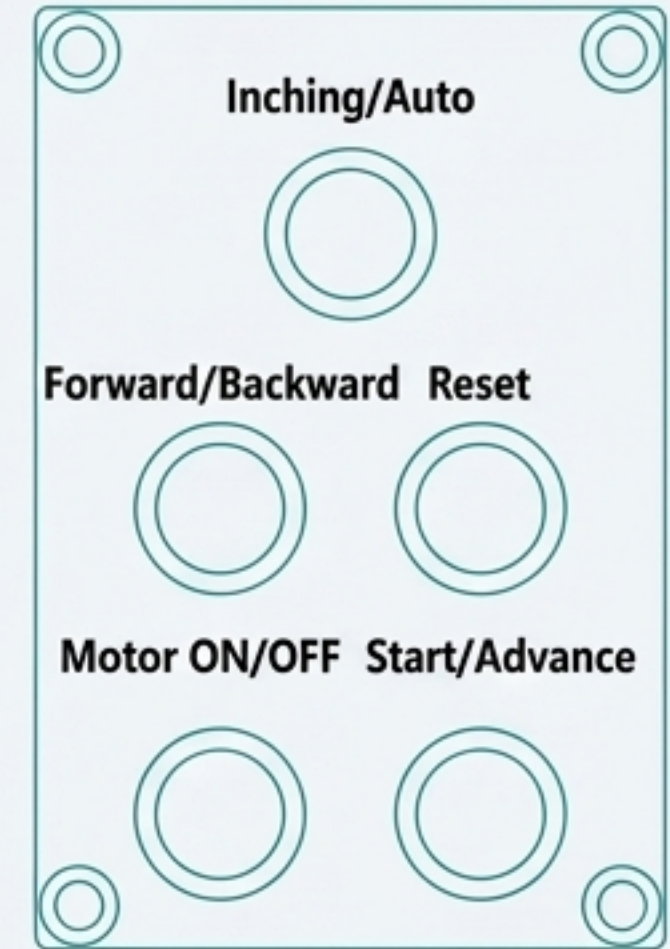
Robust Anti-Jamming Mechanism: Precision-machined tracks and adjustable pre-pressing clamps ensure smooth, uninterrupted tape flow, preventing costly material jams that plague lesser designs.

High-Precision Cutter



Durable, High-Precision Cutter: The cutter assembly is engineered for millions of cycles. Crucially, it features micro-adjustments for pin length, allowing you to achieve perfect lead protrusion for optimal soldering results.

Simplified Controls



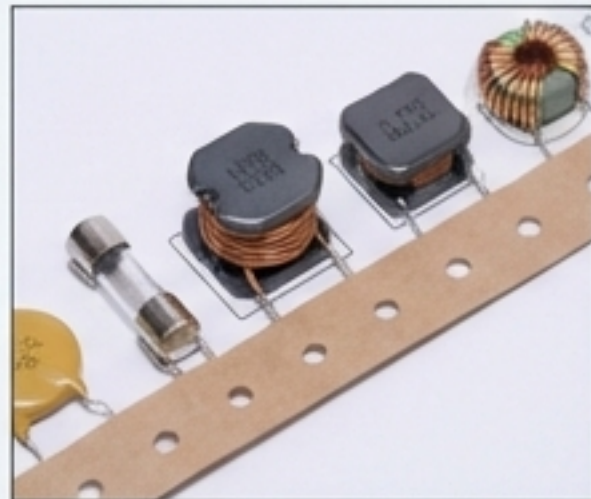
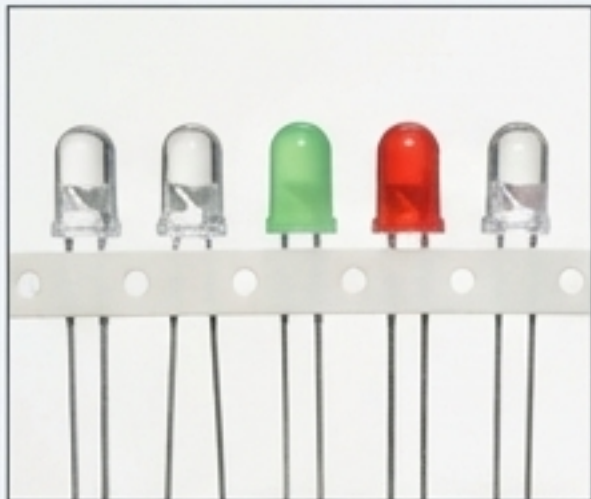
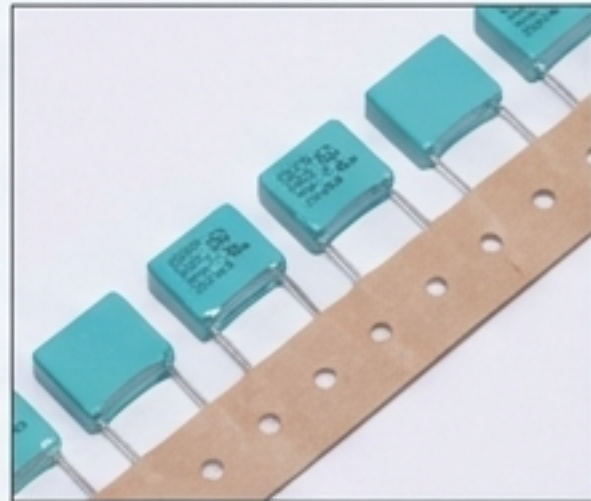
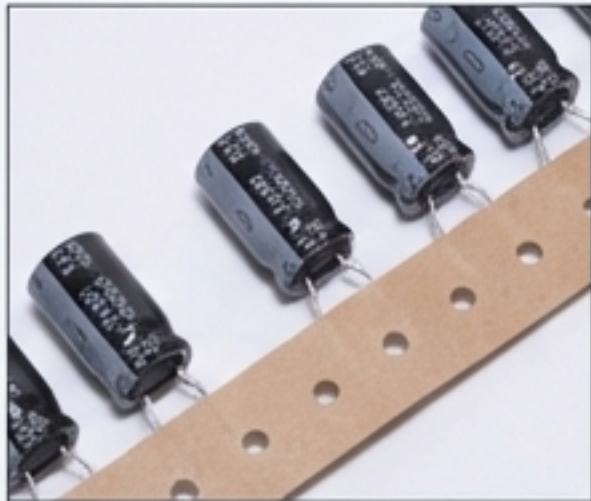
Simplified Operator Controls: An intuitive control panel with Inching/Auto, Reset, and Forward/Backward functions makes setup and troubleshooting straightforward, reducing training time and operator error.

Universal Integration, Versatile Application

Broad Component Capability:

Perfectly suited for a wide range of radial lead components, including:

- Electrolytic & Film Capacitors
- LEDs & Varistors
- Inductors & Fuses



Protect Your Capital Investment:

Our feeders are brand-agnostic, ensuring they remain a valuable asset even if you change your SMT platform vendor.

Cross-Platform Compatibility:

Designed for seamless integration with all major pick-and-place machine brands.

Proven compatibility with:

- ASM Siplace (as seen in our operations)
- Fuji, Panasonic, Yamaha, JUKI, and Universal Instruments

ASM 
SIPLACE

FUJI

Panasonic

 YAMAHA

JUKI

 Universal Instruments

A Global Partnership You Can Rely On



Worldwide Technical Support:

Our expert engineers are available across the globe to ensure your production lines stay running.



Guaranteed Spare Parts Availability:

We maintain a comprehensive inventory of spare parts for rapid dispatch, minimizing your Mean Time To Repair (MTTR).



Long-Term Partnership:

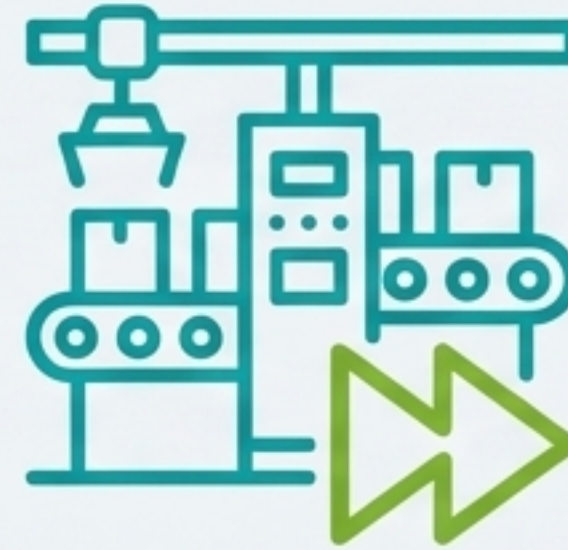
We don't just sell machines; we build lasting relationships. Our success is measured by your continued operational excellence.

The Business Case: From Cost Center to Profit Driver



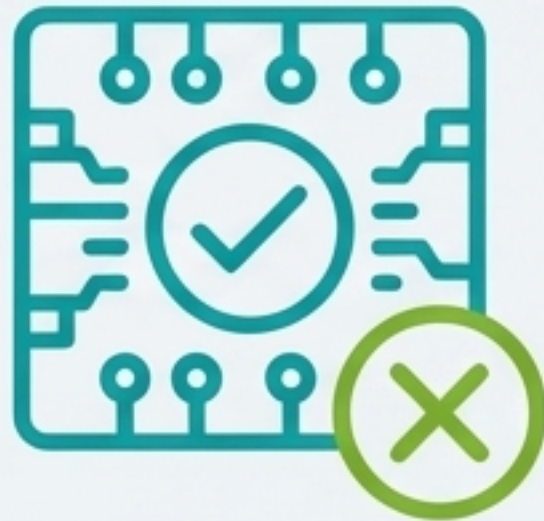
Radical Labor Reduction

A single feeder running at 7,200 CPH can replace the output of approximately 10 manual operators, delivering a payback period of just a few months on labor savings alone.



Increased Line Throughput

By eliminating the THT bottleneck, you enable your entire SMT line to run closer to its maximum rated speed, unlocking significant hidden capacity.



Improved Quality & Reduced Rework

Automation removes human error, virtually eliminating mis-insertions and dramatically reducing costly board scrap and rework.



Superior Total Cost of Ownership (TCO)

With a durable design, long-life consumables, and universal compatibility, our feeder delivers superior value over its entire operational lifespan.

Automate Your Advantage with Southern Machinery

SOLVE

the chronic inefficiency of manual odd-form insertion.

INTEGRATE

a reliable, high-speed solution into your existing SMT line.

ACHIEVE

a rapid return on investment through labor savings, increased throughput, and improved quality.

Let's **schedule a detailed technical consultation** to analyze your **specific application** and **quantify the potential savings**.

Contact Us for a Consultation



Jason Wu

Senior Sales Director



Phone: +86-136-0256-2576



Email: jasonwu@smthelp.com



Website: www.SMThelp.com



Visit Us: We welcome you to our factory and demonstration center in Shenzhen, China.

Q&A

