

The Future of Bulk Automation: Intelligent, Compact, Unstoppable.

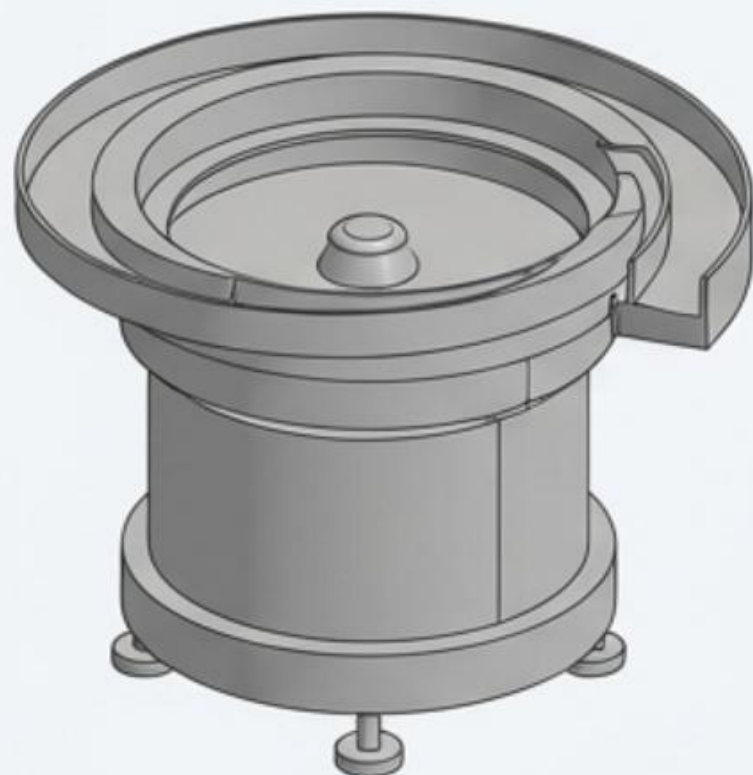


S-MVF01 Intelligent Bulk Feeder
A Southern Machinery Innovation

The Hidden Costs of Legacy Feeding: Heavy & Large

Traditional vibratory bowl feeders have served the industry, but their limitations create significant operational drag in modern factories.

Vibration Bowl Feeder



190 Kg



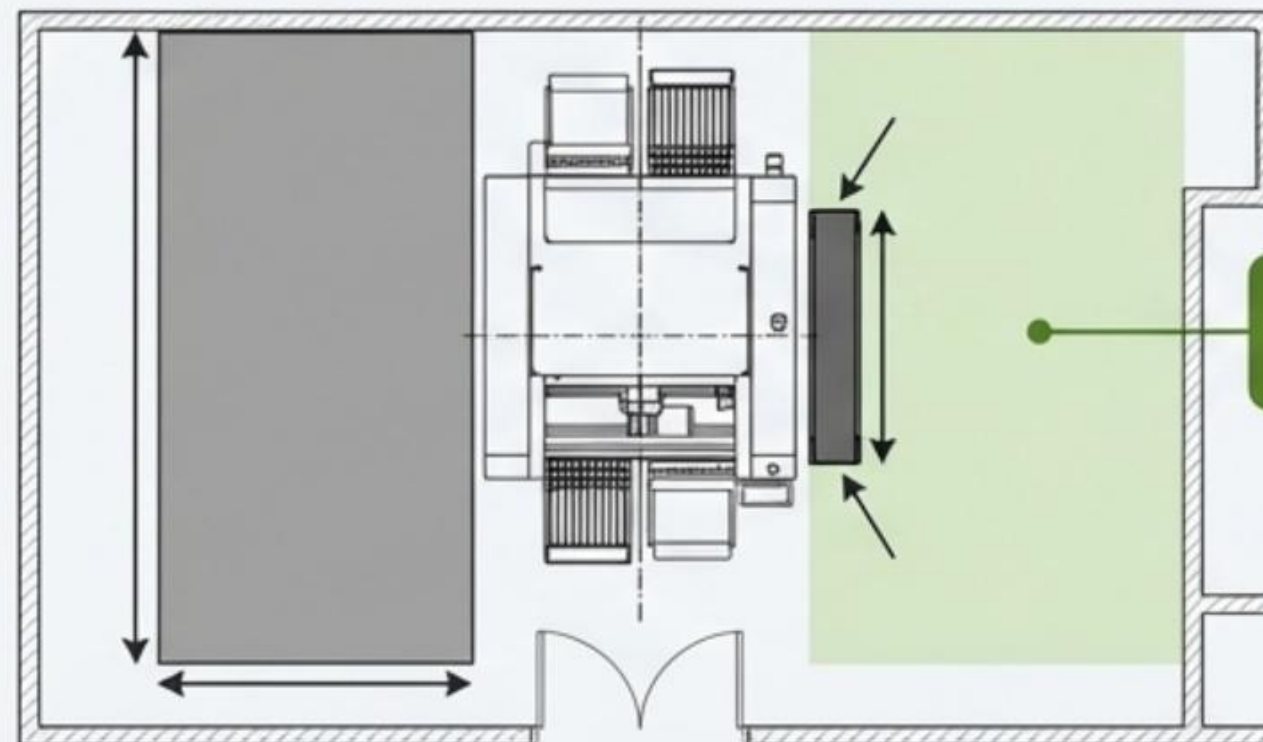
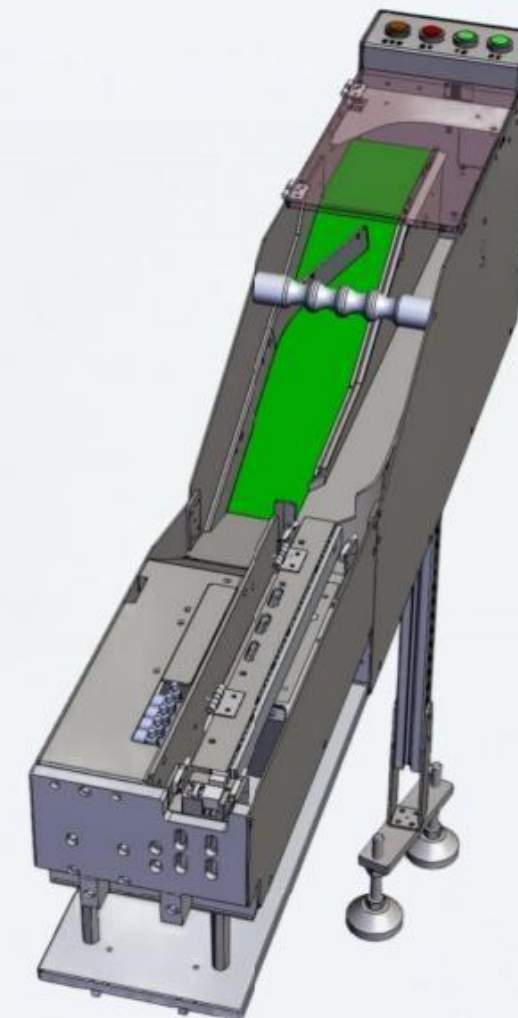
~1120x460mm
Footprint

S-MVF01 Belt Feeder

35 Kg



850x140mm
Footprint



**Premium Floor
Space Reclaimed**

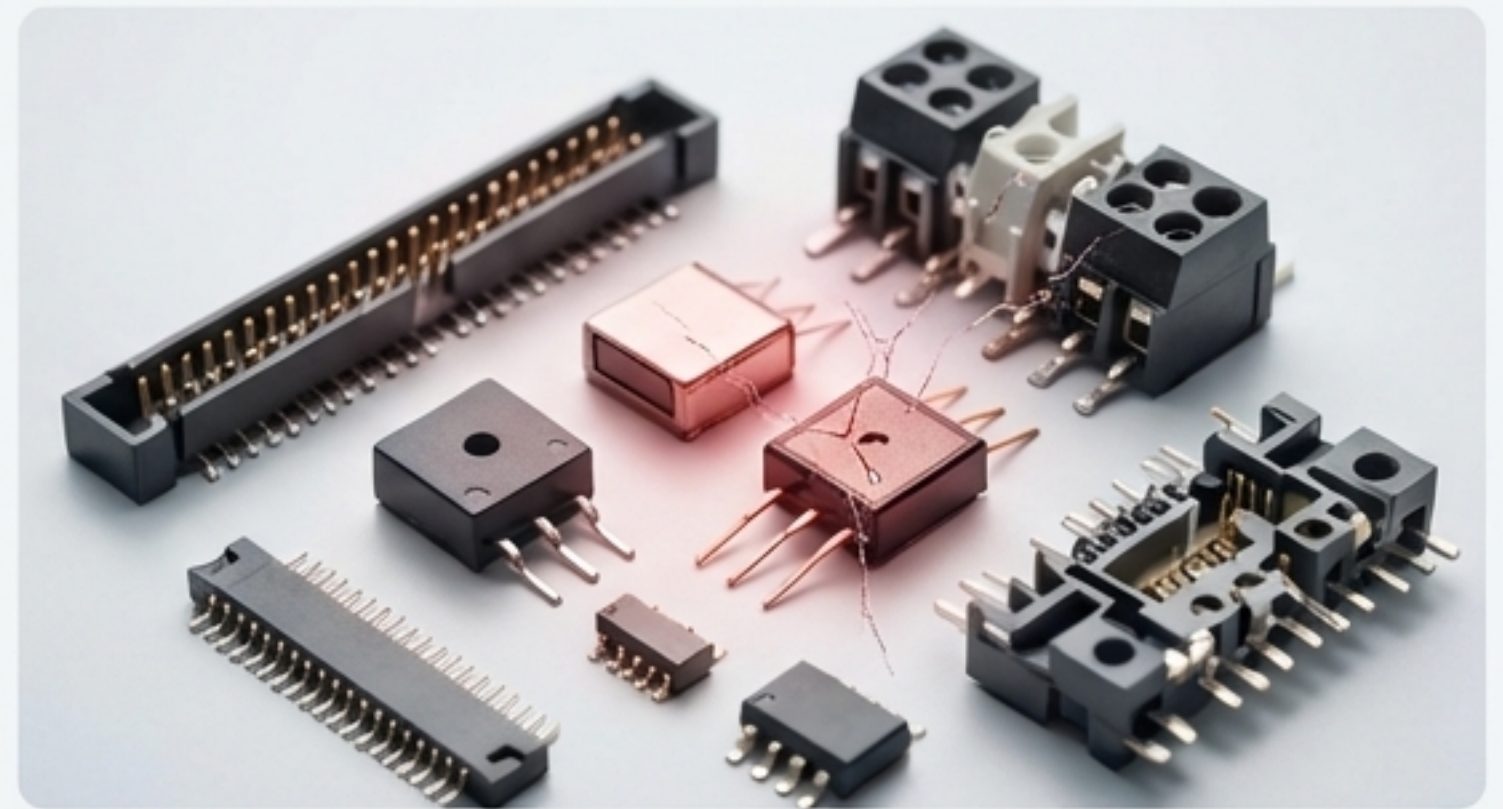
The Strategic Trap: Inflexible & Expensive

Expensive Customization



- Tracks are custom-machined for a *single* component.
- A new product means a new, expensive bowl with weeks of lead time.
- When a product line ends, the feeder becomes a **Sunken Cost**—expensive scrap metal.

High Risk of Damage



- Aggressive resonance creates high-friction, part-on-part impacts.
- Causes abrasive wear, structural fatigue, and dust contamination on delicate components.

Our Solution: A New Philosophy in Feeding

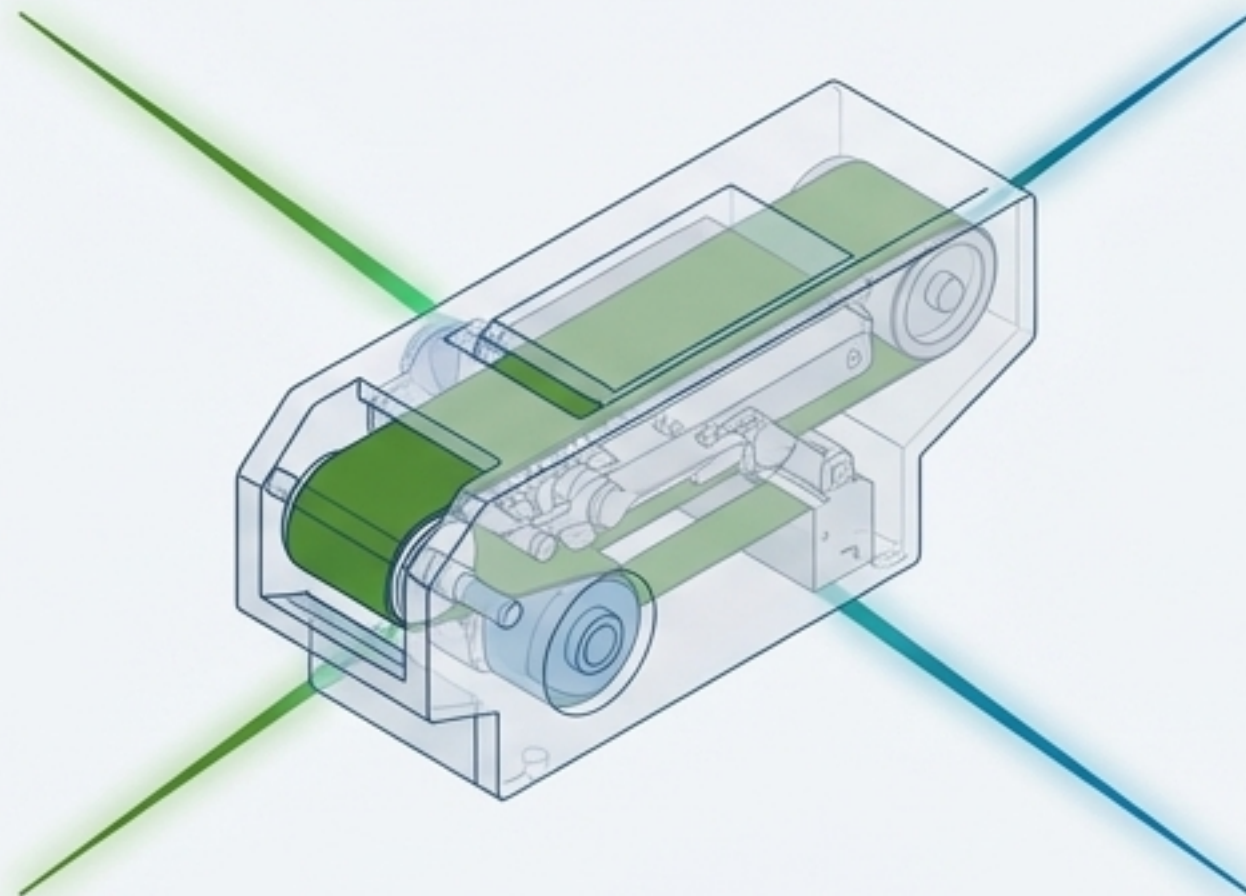
We didn't just build a better feeder; we re-imagined the entire process for the modern smart factory.



Agility over Rigidity:
One machine for dozens of
components.



Efficiency over **Excess**:
Optimized for real-world
production.



Intelligence over Brute
Force: Gentle handling and
precision control.



Compactness over **Clutter**:
Maximizing floor space and
density.

Product Deep Dive: Radically Compact, Universally Versatile



- **Ultra-Compact Footprint:** At only **850x140x260mm**, it's up to **1/39th the volume** of a traditional bowl feeder, maximizing your feeder density.

850x140x260mm

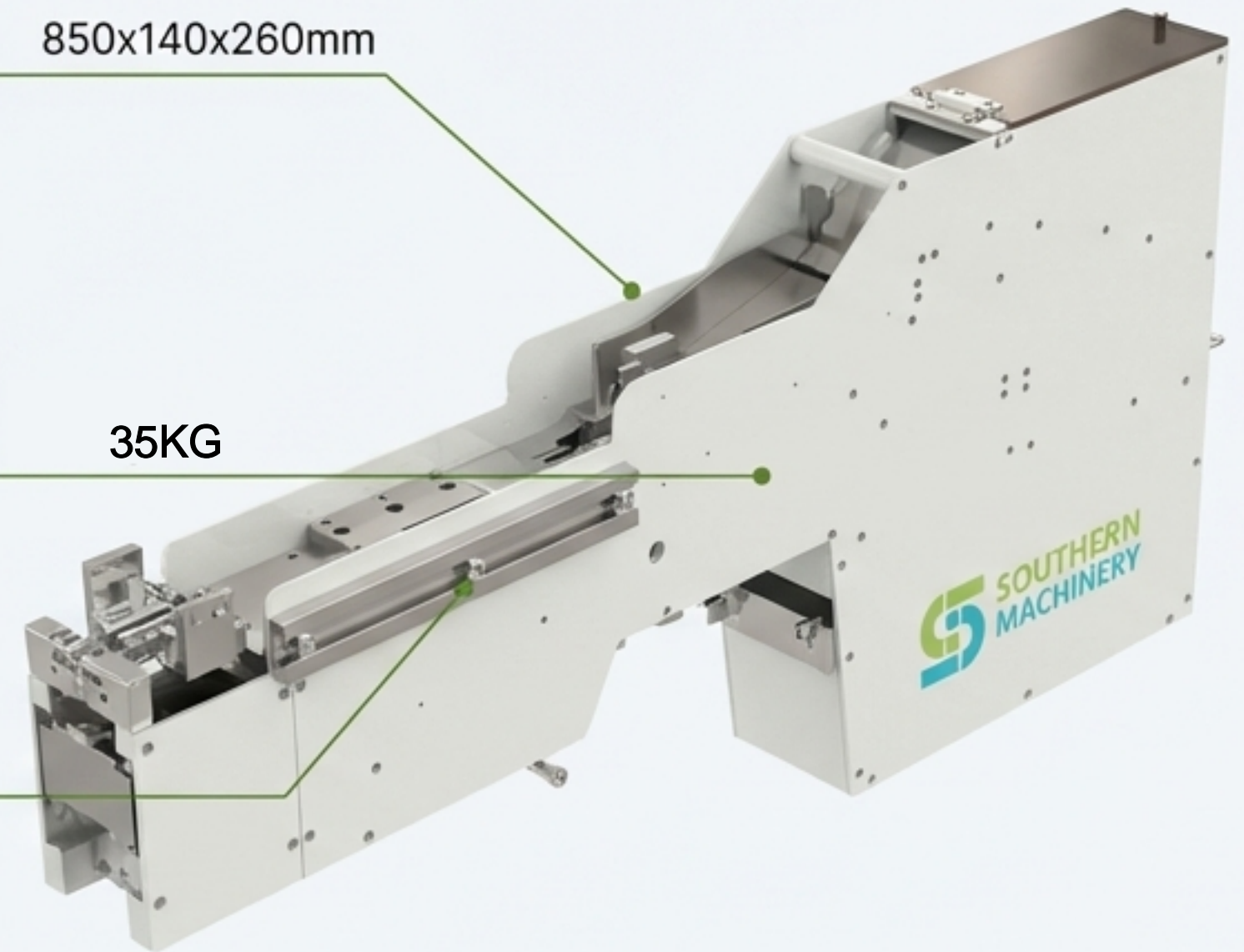


- **Featherweight Champion:** Weighing just **35kg**, it enables rapid, single-operator line changes in minutes, not hours.

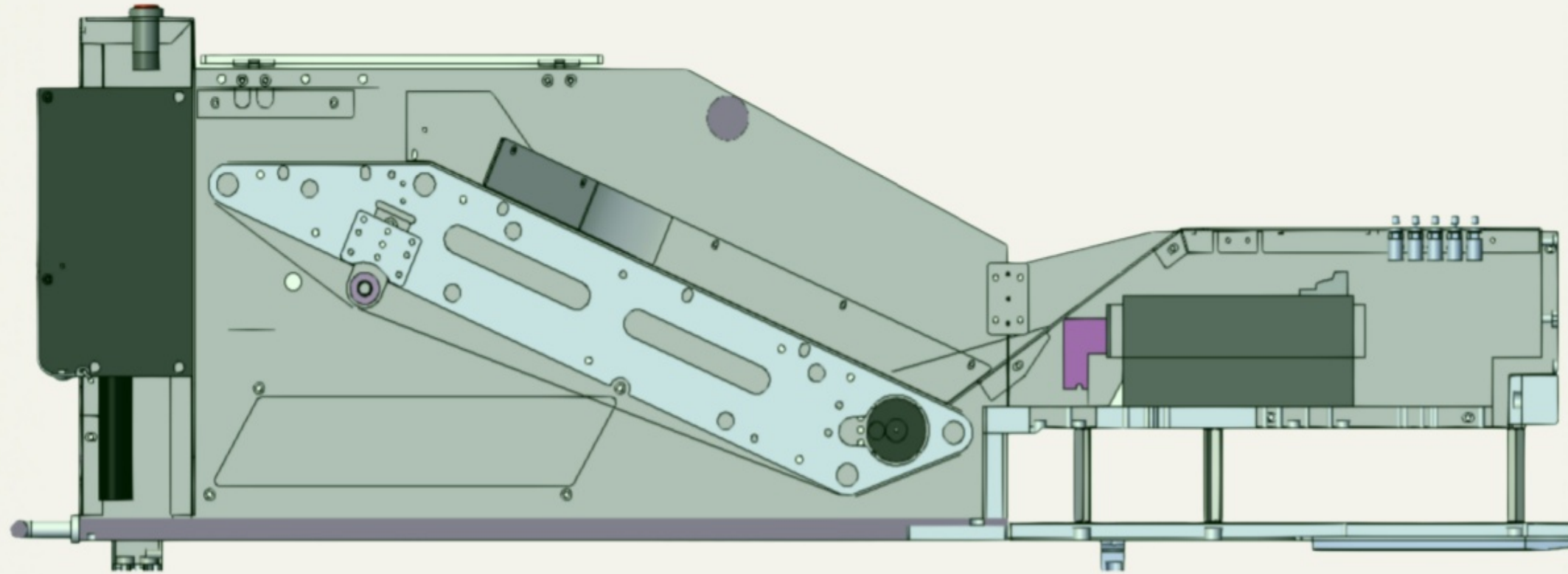
35KG





- **Broad Component Versatility:** A single unit with adjustable rails handles components from **3x3mm up to 20x20mm**.



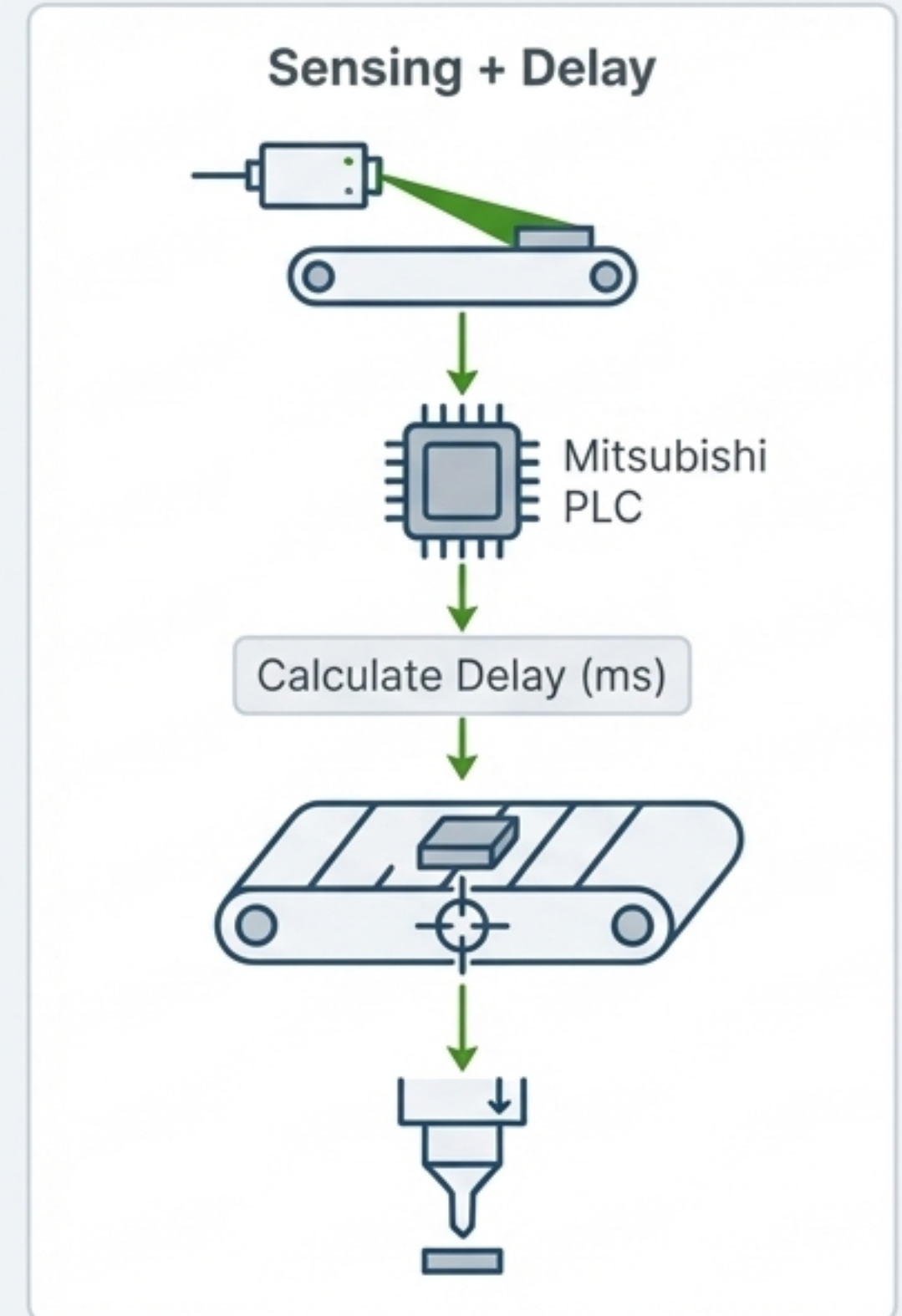
Core Technology: The Reciprocating Belt System



- The S-MVF01 uses a low-energy, motor-driven belt to elevate components from the hopper. 
- **Minimizes Damage:** Eliminates the high-friction, part-on-part abrasion common in vibratory bowls, preserving component integrity for parts like connectors and buzzers. 
- **Intelligent NG Recirculation:** An integrated reflux belt automatically and gently returns any incorrectly oriented (NG) components to the hopper for re-sorting, ensuring zero waste and continuous operation. 

Core Technology: Precision Control

- **Rock-Solid Reliability:** Controlled by an industry-leading **Mitsubishi PLC**, ensuring stable, 24/7 performance.
- **Smart Positioning System:**
 1. A high-resolution fiber optic sensor detects the component's leading edge.
 2. The PLC triggers a user-definable 'Linear Vibration Delay'.
 3. The belt continues for a precise distance, stopping the component's center at the pick-point with **±1mm accuracy**.
- **Effortless Changeover:** Operators adapt to different component lengths by simply adjusting the delay parameter in the software—no mechanical sensor adjustments needed.



The Business Case: Unlock Radical ROI

\$40,000



Annual Savings

Eliminate packaging costs by feeding from bulk. *Based on saving \$0.02/part on a 2M part/year run.**

80%



Faster Changeover

Reduce NPI and setup time from hours to minutes, converting downtime directly into productive uptime.

<6

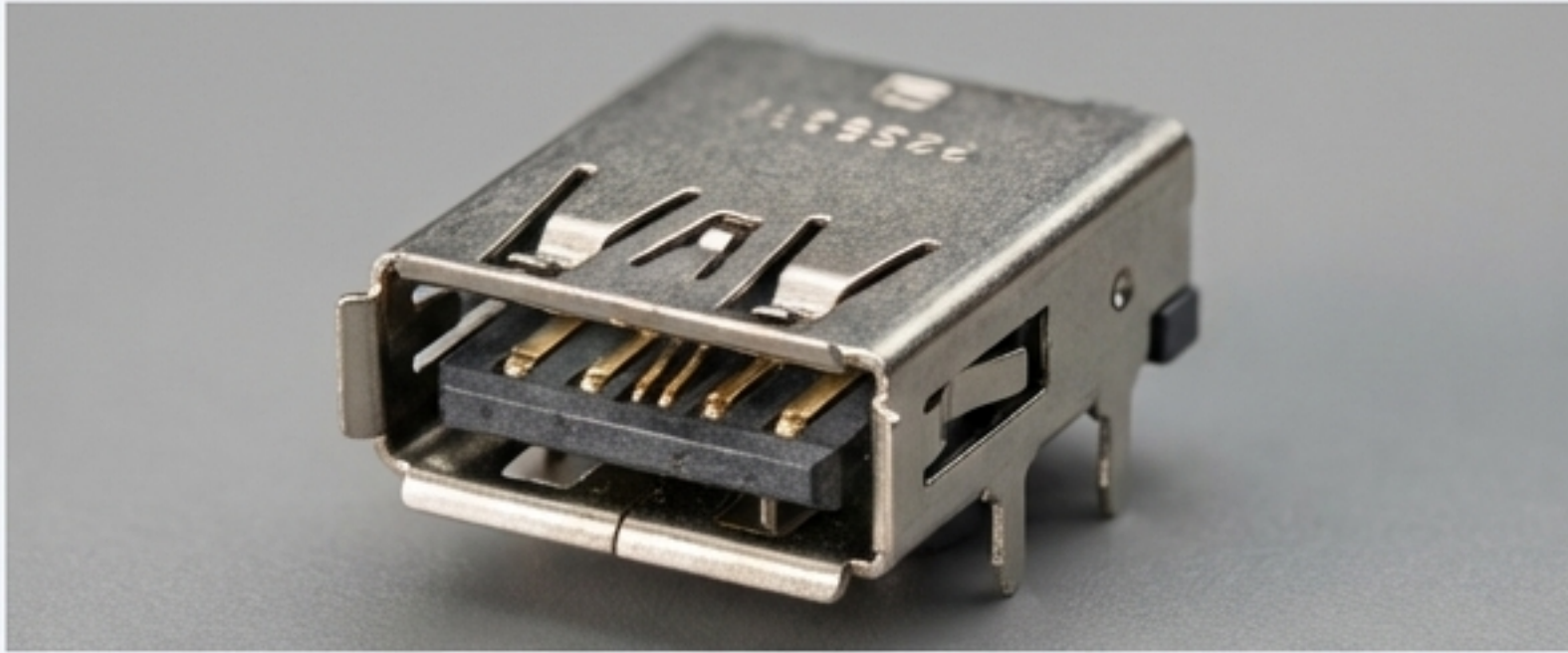


Months to Payback

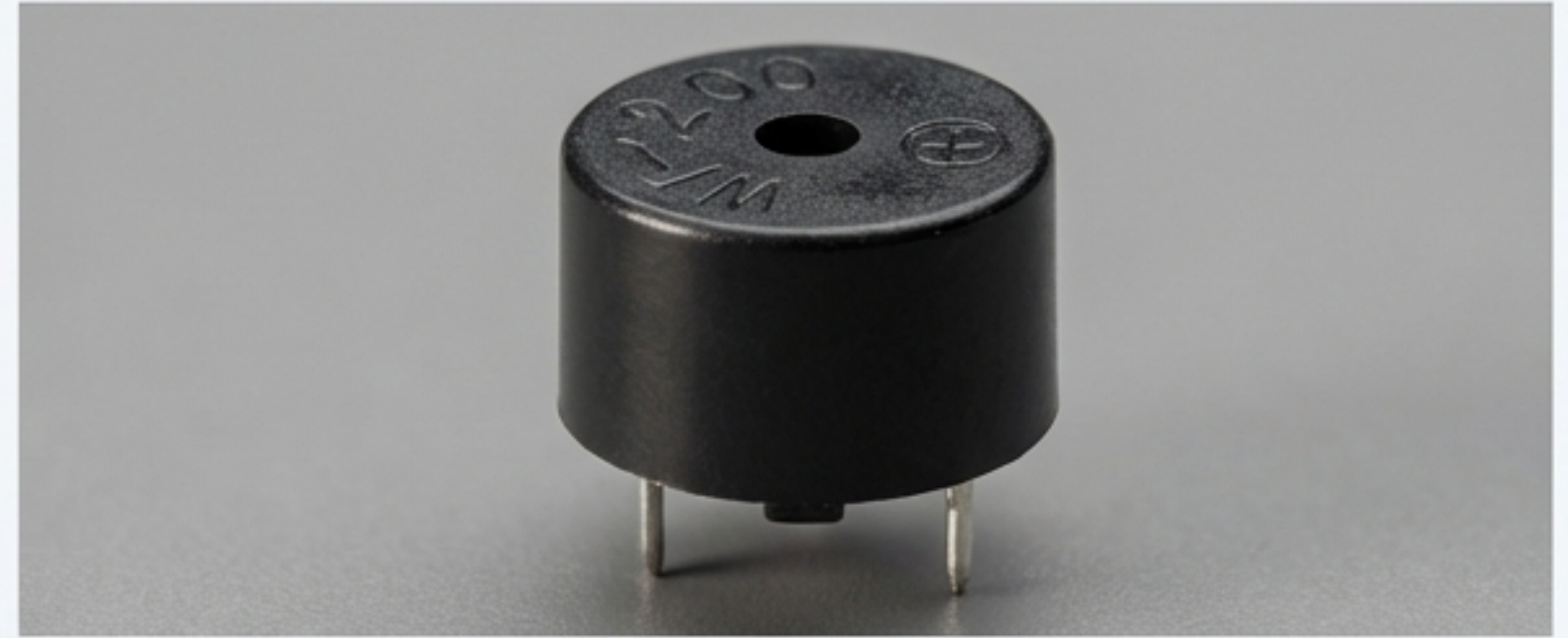
For many of our clients, the complete payback period for the S-MVF01 is less than two quarters.

Proven Applications: Ideal for 'Odd-Form' Components

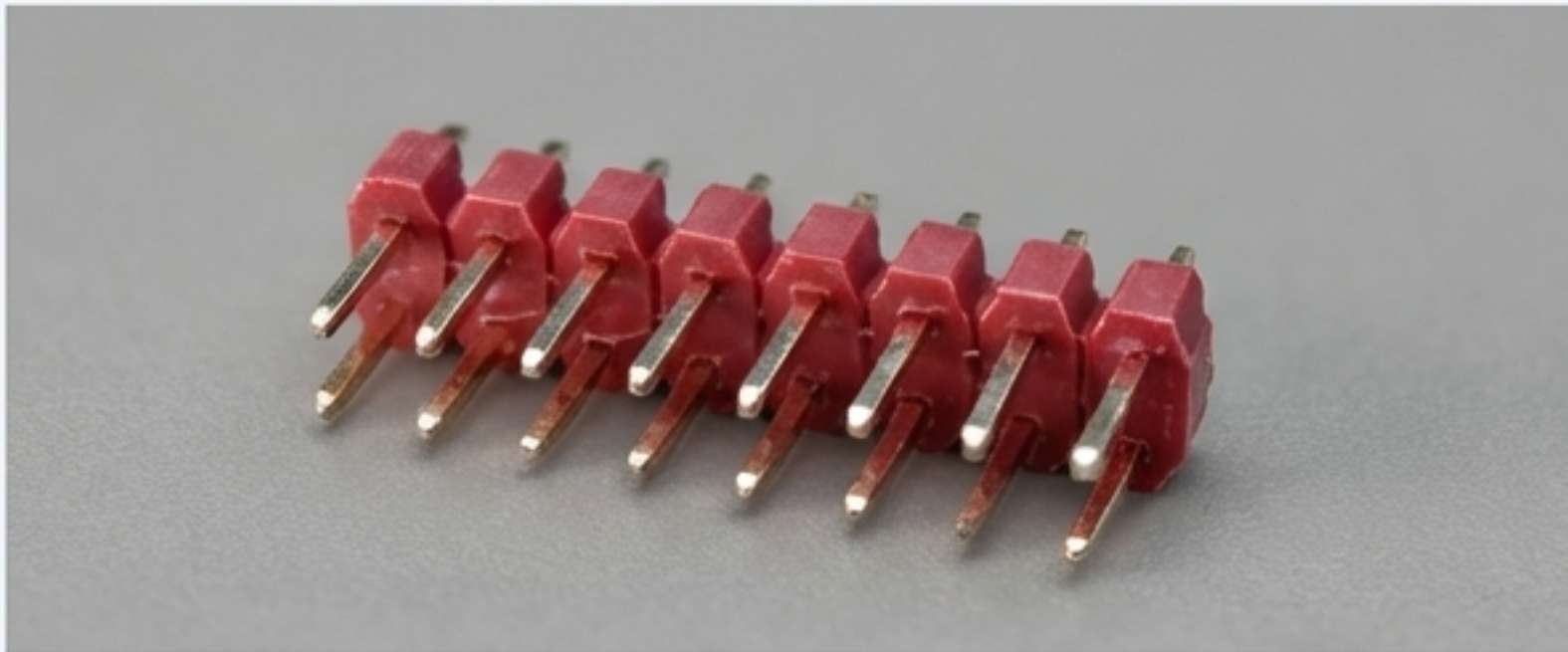
The S-MVF01 excels where other feeders struggle, optimized for a wide range of bulk components:



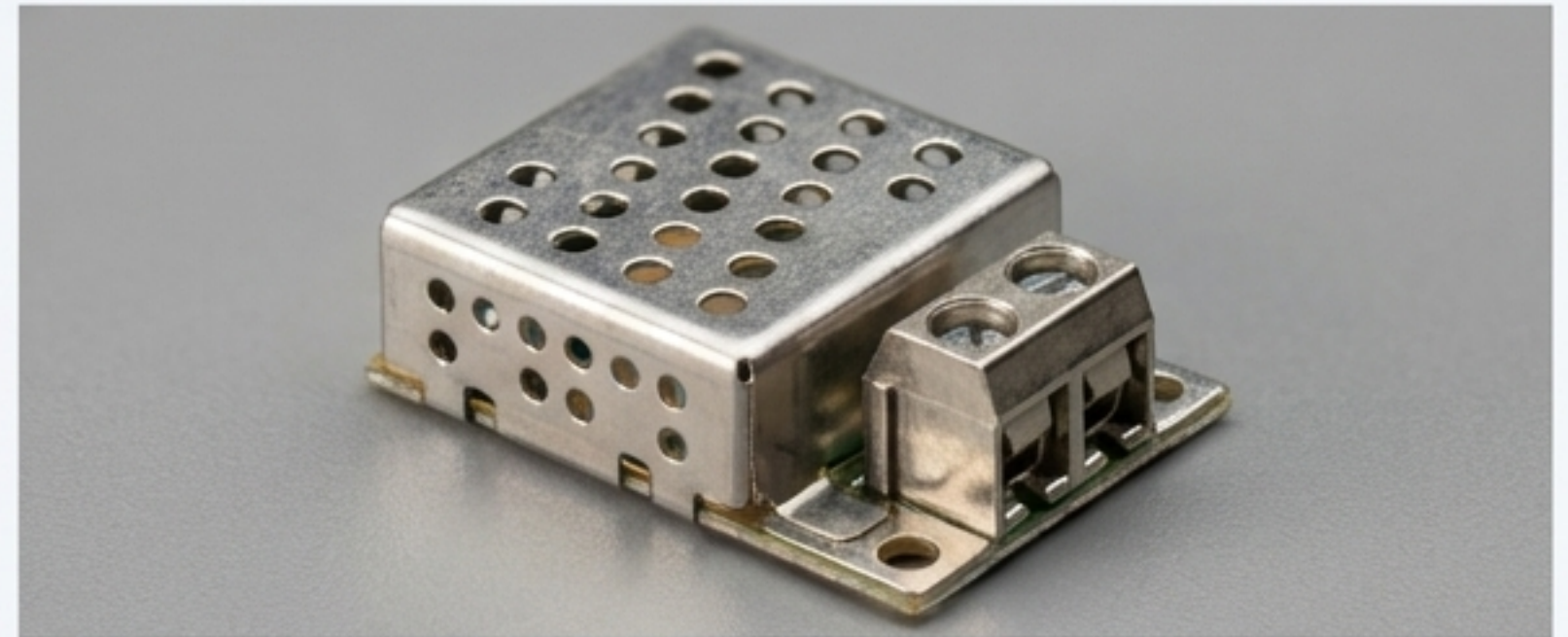
Interconnect Devices (USB, HDMI, Header Pins)



Acoustic Transducers (Buzzers, Speakers)



Electromechanical Switches (Tactile Switches, Relays)



Structural & Power Parts (EMI Shields, Terminals)

Let's Build a More Efficient Future. Together.

Ready to Optimize Your Line?

Contact us for a personalized ROI analysis or a live demo.

Jason Wu | Primary Sales Engineer

Email: jasonwu@smthelp.com

Phone/WhatsApp: +86-136-0256-2576

Website: www.SMThelp.com

