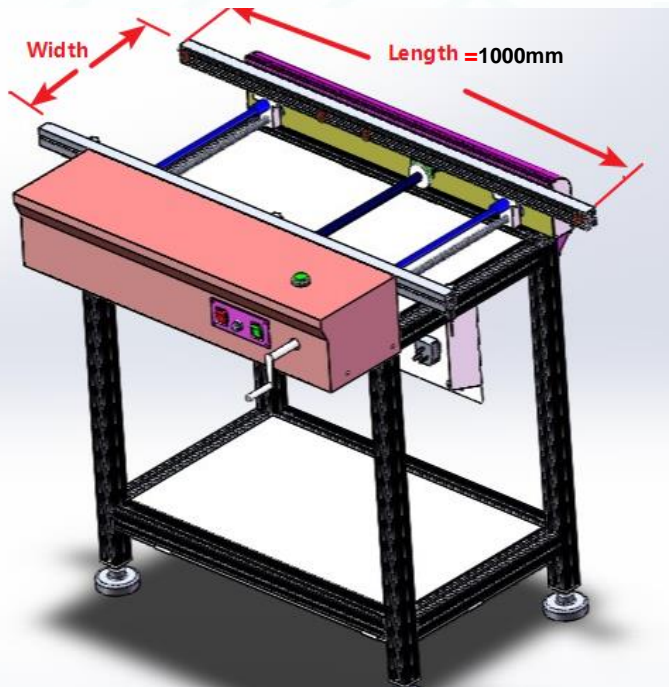


## Description

*This unit is used as a visual inspection station for operators between SMT machines or board hand unit to link the machines.*

## Features

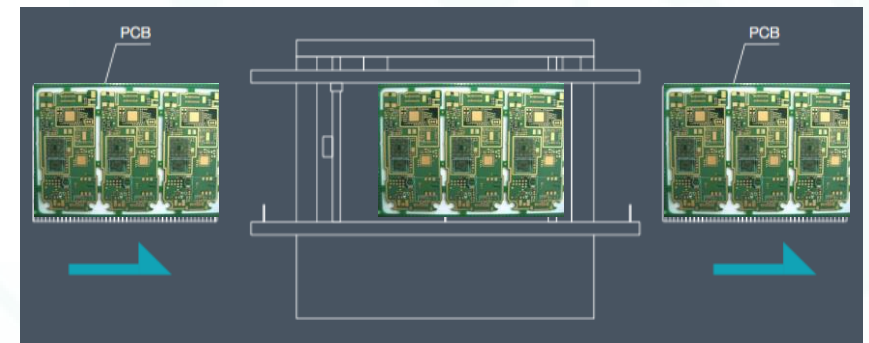
- Stability enhanced by heavy design
- Smooth and parallel width adjustment (stainless steel screws)
- Different lengths available upon request
- Muli- segment concept available upon request
- Automatic/Manual modes & SMEMA compatible



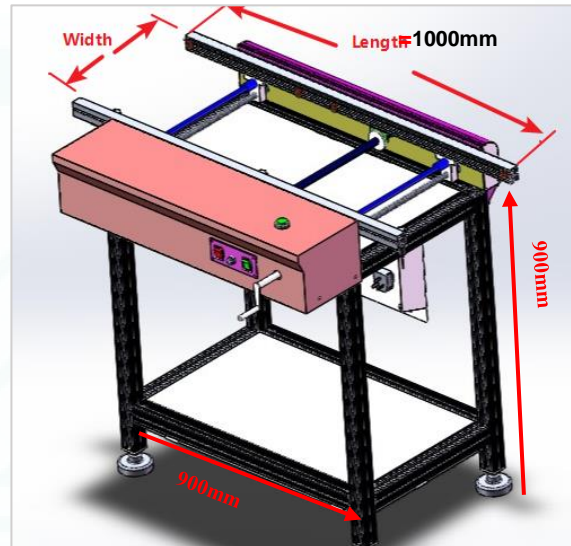
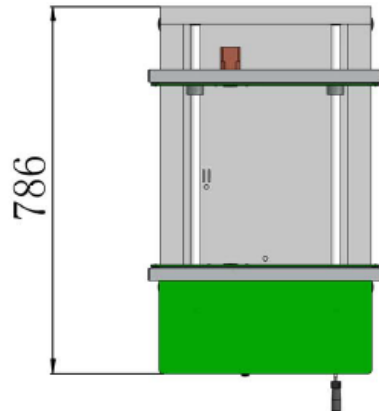
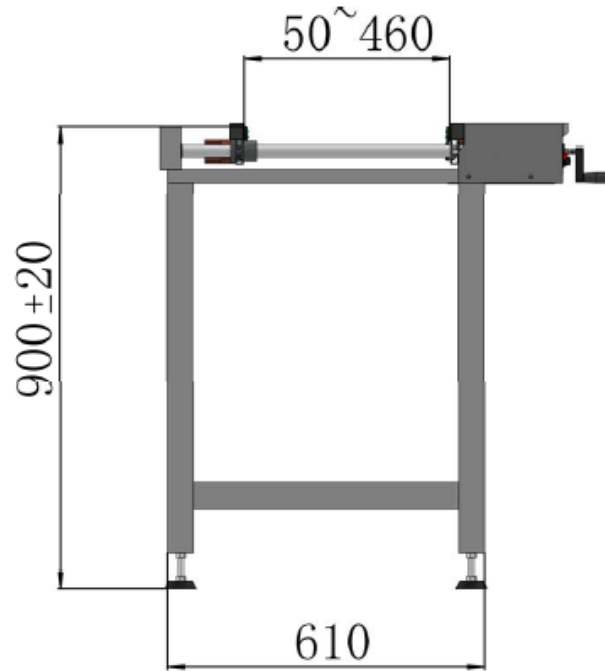
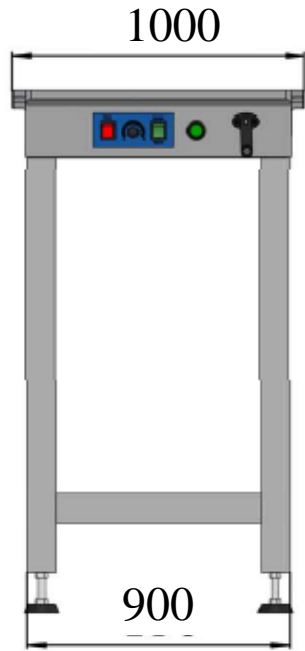
## Options

- Anti-dust Covers
- Touch screen
- High-Clearance on request
- Cooling fans on top/bottom for after-reflow
- Light system for better inspection
- Support for Monitor
- Shelf with ESD component boxes
- Motorized/Automatic width adjustment
- Choice of different belt width and chain transport system
- Mechanical stopper
- Foot pedal pass control
- Narrow footprint
- With bottom cabinet

## Schematic



# Specification



<b>Brand / model</b>	<b>Southern Machinery / S-460D</b>
Transport Height:	900±20MM(can be customized)
Transport Direction	L to R Or R to L(adjustable)
Speed	0.5-20m/min adjustable
Belt type	ESD belt (round belt)
Power supply	AC 110 Volts Or 220 Volts; Single Phase; 0.05W / 220-50Hz / 1PH
Power Consumption	100VA max
Max PCB weight	1.5kg/PCB
Machine Dimension(L*W*H)	<b>1000* 786*900mm</b> (can be customized)
Suitable for PCB size(L*W)	<b>50*50~460*460mm</b>
Width adjustment	<b>50~460mm, button, easy manual control</b>
Machine weight	<b>95KG</b>
Lighting	No light
Communication	SMEMA compatible
Control mode	PLC control
Fixed Rail	Front side
Transporting mode	Inspection and bypass mode selectable

# Spare Parts Available

- ✓ Spare parts kit will come along with the machine when delivery.
- ✓ We can provide continuous consumable spare parts support in future.
- ✓ You can buy spare parts individually for regular maintenance. Time saving and money saving.
- ✓ Machine spare parts 1 day lead time.





# Best After-sales service

- **7x24 Worldwide Support**
- **Free Installation/ Training**
- **1 day lead-time (spare parts)**
- **1 Month customize solution**



# WELCOME INQUIRY

Please visit

[www.smthelp.com](http://www.smthelp.com)

Find us more

<https://www.facebook.com/autoinsertion>

Know more our team

<https://cn.linkedin.com/in/smtsupplier>

Welcome to our factory in Shenzhen China

See more machine working video, please Youtube

Auto Insertion

Google

Auto+insertion, to get more information

Looking forward to your email

[yis@smthelp.com](mailto:yis@smthelp.com)