

SQC-250 PCB surface cleaning machine

Description:used to remove the surface small chip, dust,fiber, hair, skin debris, and metal particles, etc.

Cycle Time: Approx. 8 seconds

Power Source: 230VAC 1ph 150VA max.(Option:100VAC)

PCB Thickness: 0.6mm min.

Conveyor Type: Flat Belt

Conveyor Speed: 0.5-20m/min or specify

Transportation high: 900mm±20mm

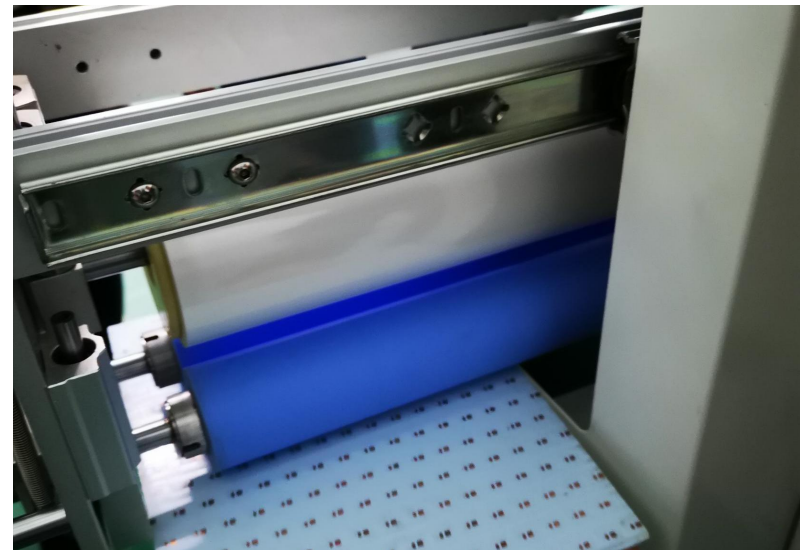
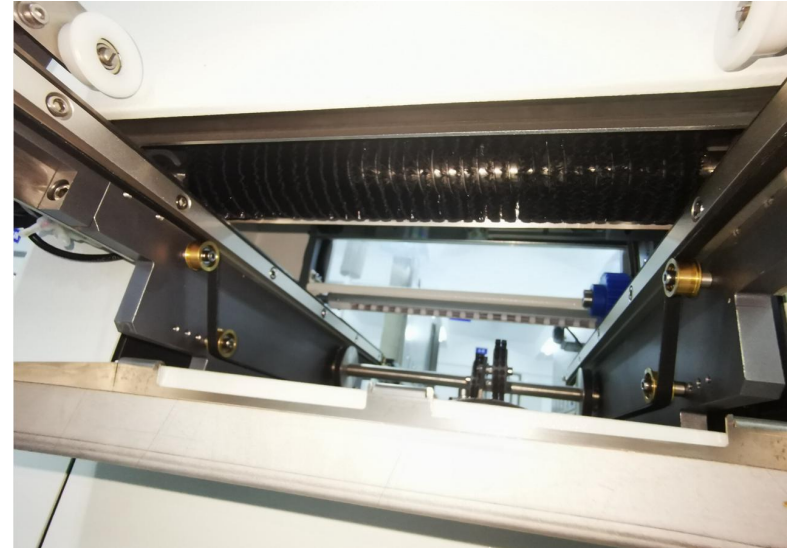
Model	Size	Dimension (L*W*H)mm	PCB size (L*W)mm	Weight (kg)
SQC-250	M	550*650*1350	50*50--250*330	170
SQC-330	L	550*680*1200	50*50--330*450	185
SQC-390	LL	550*780*1200	50*50--390*530	220
SQC-460	XL	550*850*1200	50*50--460*530	260



Brush +Sticky roller

On-line PCB Surface clean machine used for PCB before printing solder paste and red glue to remove surface small chip, dust, fiber, hair, skin debris and metal particles etc other things. Eliminate PCB board static to reduce the bad printing and foreign object caused cold welding, missing weld, camber and deflection welding, improve products quality. Greatly reduce rework and bad quality return rate. Especially suitable for place 0402, 0201 etc small components and QFP, BGA, CSP precision components.

Note: there has no brush in double type cleaning.



Part's detail

Sticky roller



Sticky Paper-consumables



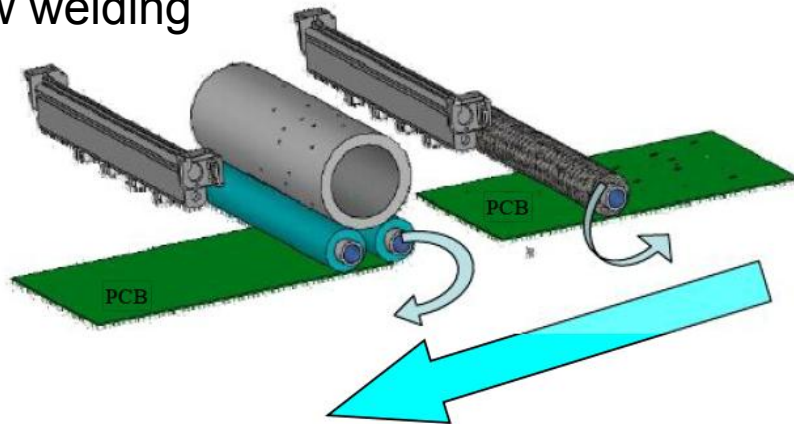
Brush system



Single type PCB Clean Machine

Single type working process

- Cleaning PCB A side
- PCB solder paste printing
- Mounting
- Reflow welding , PCB turnover machine
- PCB B side cleaning
- printing
- Mounting
- Reflow welding

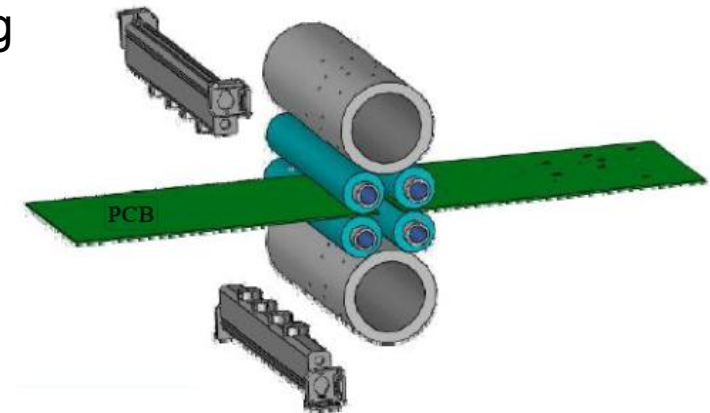


Features : PCB two side was cleaned before solder paste soldering

Double type PCB Cleaning Machine

Double type working process

- Clean PCB A B side at same time
- Printing PCB A side solder paste
- Mounting
- Reflow soldering
- Turnover PCB B side(B side up)
- Printing
- Mounting
- Reflow Soldering



Features: Cleaning PCB two side at same time

WELCOME INQUIRY

Please visit

www.smthelp.com

Find us more

<https://www.facebook.com/autoinsertion>

Know more our team

<https://cn.linkedin.com/in/smtsupplier>

Welcome to our factory in Shenzhen China

See more machine working video, please Youtube [Auto Insertion](#)

Google

Auto+insertion, to get more informations

Looking forward to your email

info@smthelp.com