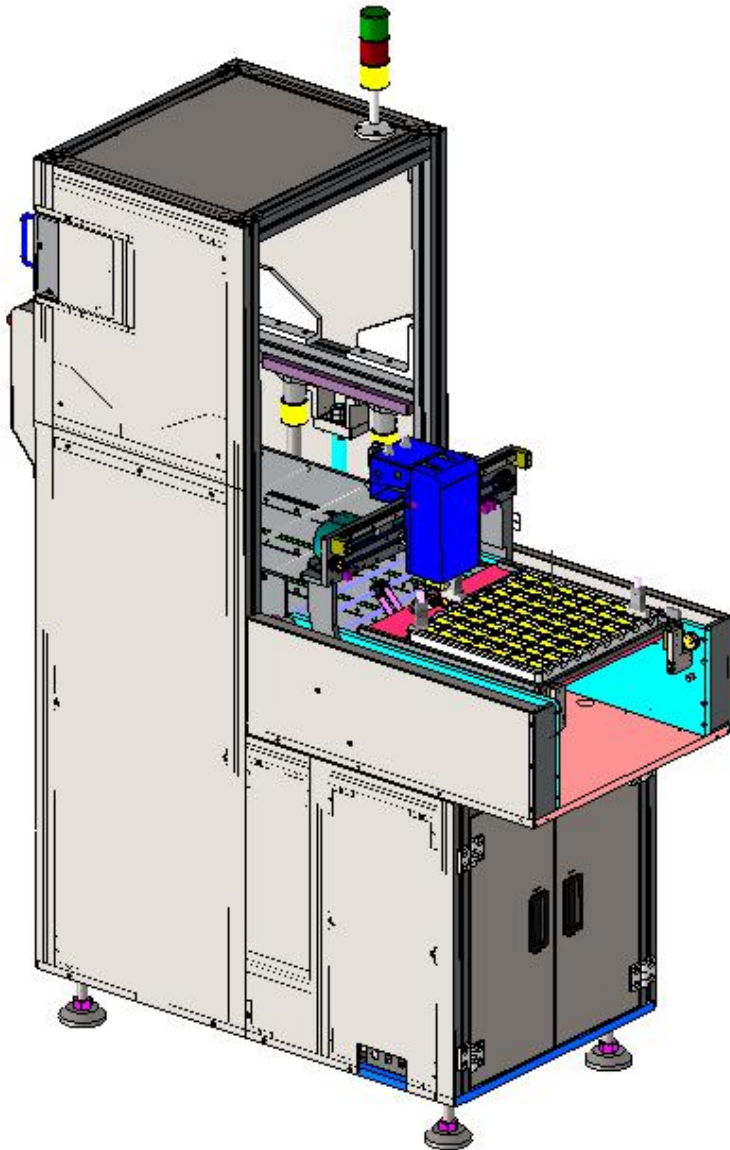


S-TF920 SMT Tray Feeder with Pickup head



1, This tray feeder can automatically replace the material in the tray, and realize the exchange of empty trays and trays with materials.

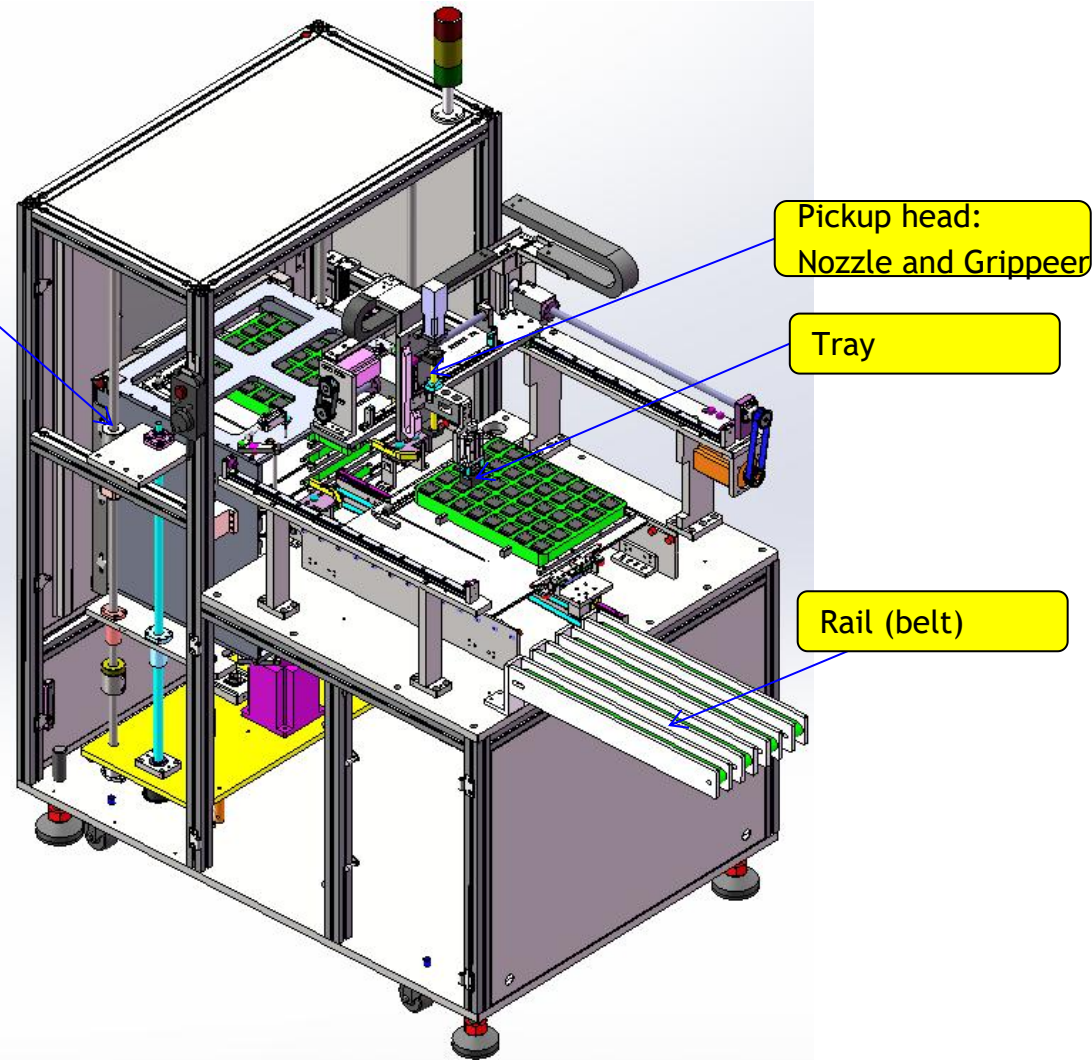
2: This feeder can automatically arrange the materials so that the materials are arranged in the feeding track in the specified order.

3: The feeding track automatically sends the materials to the front-end reclaiming position to realize the upper computer grabbing the materials.

4: This feeder can realize material pin shaping and correcting the material pins, which is convenient for plug-in use.

5: This device can complete multiple actions continuously, integrate all functions on one device, it is convenient to operate and maintain.

S-TF920 SMT Tray Feeder with Pickup head



Sequence of actions:

1: Manually loading tray to elevator, the feeder will automatically complete tray changing, and send it forward to the position where the pickup head with gripper and nozzle.

2: pickup component to forming position or direct to rail station.

3: direct-vibrating or belt to transfer component to SMT pickup position

4: Next cycle.

S-TF920 SMT Tray Feeder with Pickup head



Specification:

Pallet capacity : 9 pallets

Max component height: 6.5mm

Positioning: servo drive

Control system: PLC

Pallets size: L350xW300mm

Pallet auto changing time: 4s

Pickup cycle time: 1.5s

Pickup head: 2 (gripper or nozzle)

Dimensions : 1200x550x1700mm

Weight: 300Kg

Power requirements: 220VAC Max 2KVA

Air: 0.5 Mpa

S-TF920 SMT Tray Feeder with Pickup head



Best After-sales service

- **7x24 Worldwide Support**
- **Free Installation/ Training**
- **1 day lead-time (spare parts)**
- **1 Month customize solution**



Welcome Inquiry

Please visit www.smthelp.com

Find us more <https://www.facebook.com/autoinsertion>

Know more our team <https://cn.linkedin.com/in/smtsupplier>

Welcome to our factory in Shenzhen China

See more machine working video, please Youtube [Auto Insertion](#)

Google [Auto+insertion](#), to get more information

Looking forward to your email info@smthelp.com