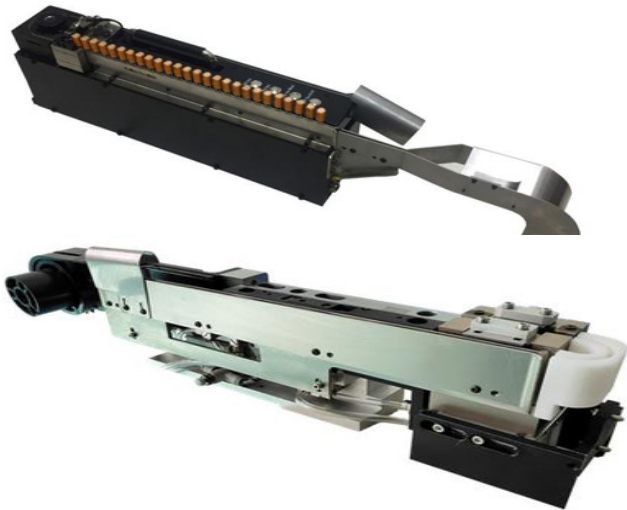


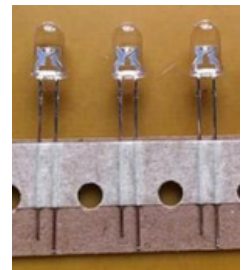
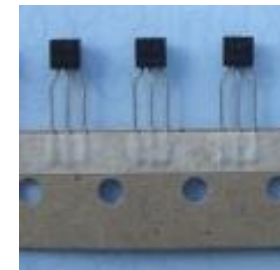
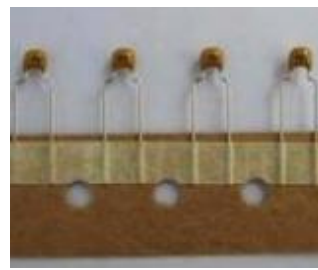
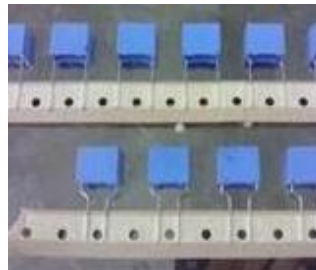
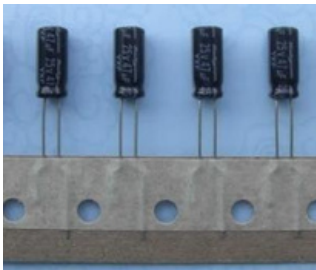
We design and manufacture automatic machines for the PCBA/SMT and Thru-hole industries in Shenzhen China. We help companies looking for low-cost equipment with smart, ROI-driven assembly equipment solutions.



RF1000 Radial Tape Feeder

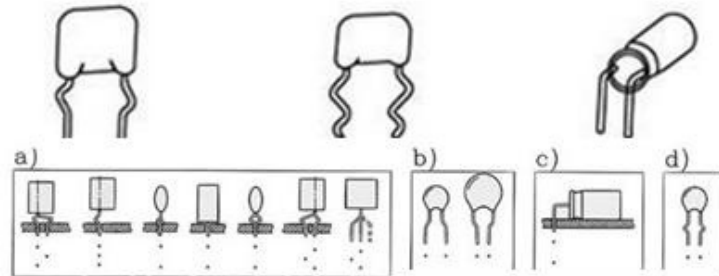
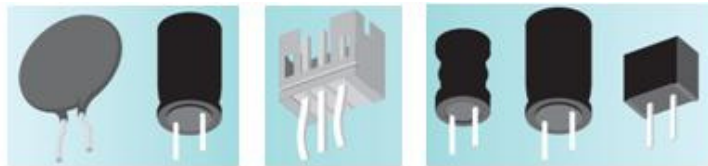


Model	RF1000
Component Body	Cylindrical: $\varnothing 3\text{-}\varnothing 10\text{mm}$;
Component Height	Rectangle: W5-10mm, L5-25mm
Tape pitch	5mm-25mm
Lead Dia	12.7mm or 25.4mm
Lead Span	0.4mm-1.0mm
Lead Length	2.5mm-25mm
Feeding	2.5mm-5mm
Cycle time	Motor or Pneumatic drive 1.5s-2s
Component Range	E-cap、 Inductor, Terminal Taped
Component Input	package
Dimension	500 (L)x100 (W) x165 (H)

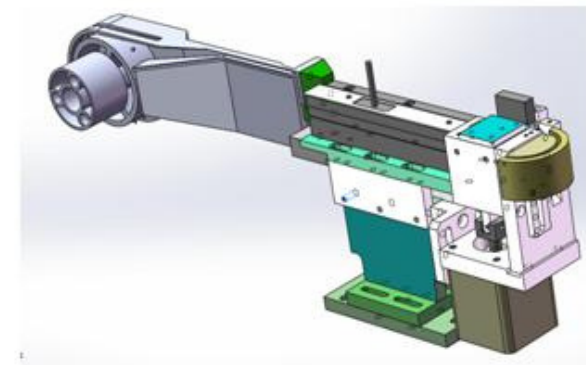
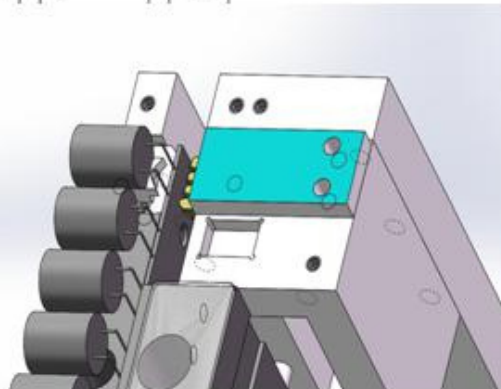


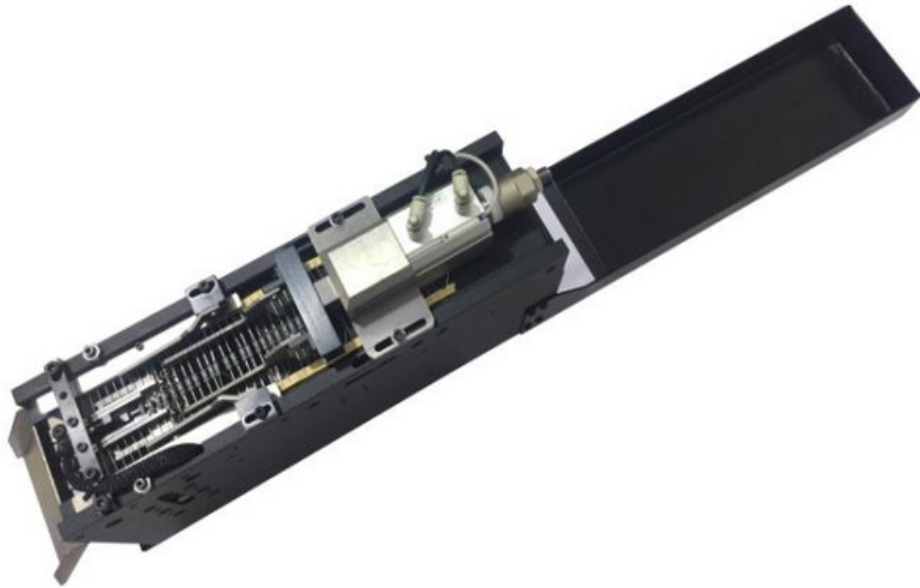
RF1000 Radial Tape Feeder

Radion Radial Tape Feeders enhance SMT Mounter Platform capabilities by providing high-speed radial component feeding, enabling the placement of caps, boxcars, MOVs, LEDs, and other radial lead components across a wide variety of lead spans.

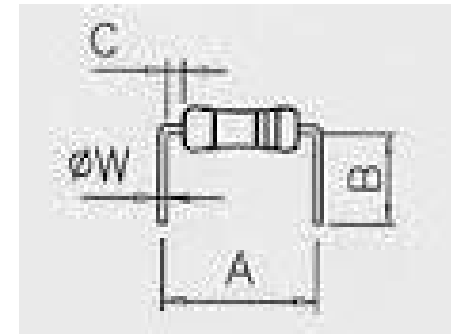


Auto insertion
with mounters:

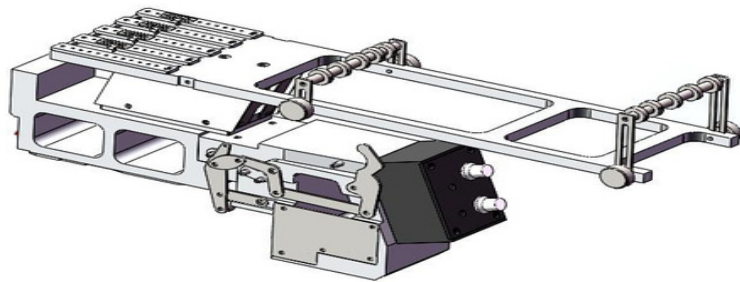




Model	AF2000
Component Body	ø2-ø10mm
Tape pitch	5mm、10mm、15mm、20mm
Lead Dia	0.4mm-1.0mm
Lead Length	2.5mm-5mm
Feeding	Pneumatic drive
Cycle time	1.5s-2s
Component Range	Resistor、Diode、JW
Component Input	Taped package
Diminsion	700 (L)x100 (W) x165 (H)



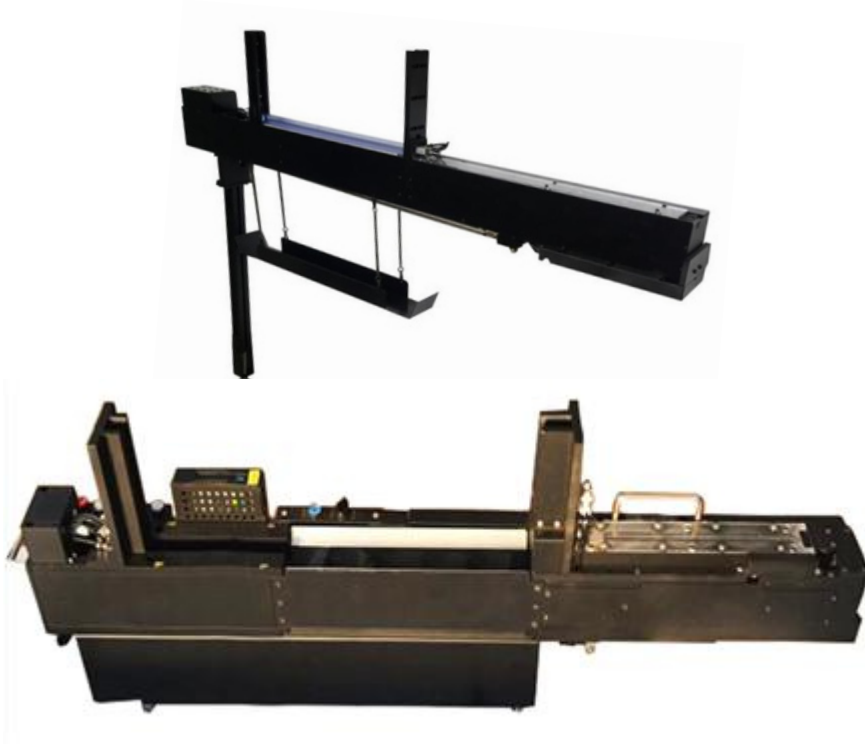
VF3000 Vibration Track Feeder



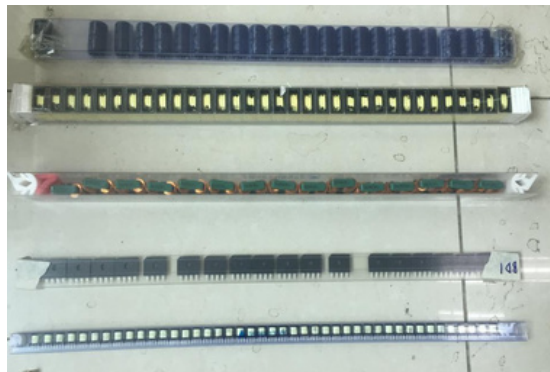
Model	VF3000
Component	5x5mm-10x10
Size Feeding	Vibration Drive
Cycle time	2s-3s
Component Range	IC
Component Input	tube package
Diminsion	400 (L)x100 (W) x165 (H)



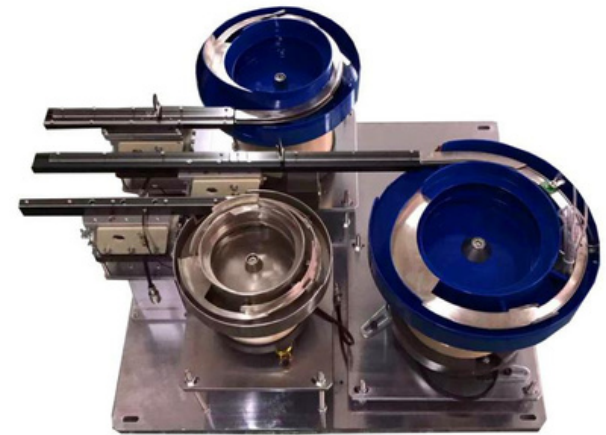
TF4000 Multi Tube Feeder



Model	TF4000
Component Size	5x5mm-25x25mm
Tube Length	300mm-650mm
Feeding	Motor Drive
Cycle Time	1.5s-2s
Component Length	Transformer、Relay、Transistor
Component Input	tube package
Diminsion	1480 (L)x100 (W) x165 (H)



These CNC machined parts feeders are applicable for precision components for the electronics and semiconductor industry (e.g. QFN, LED chips, MLCC, SOT packages, etc).



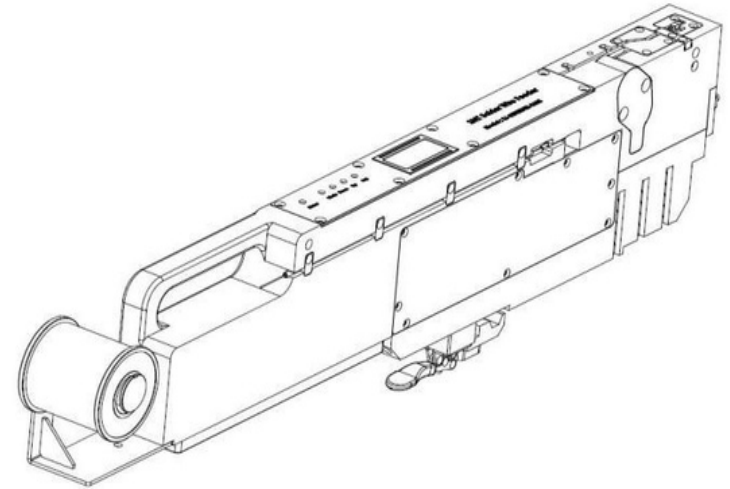
Reduce cost, improve quality and eliminate hand assembly. insulators, interconnect, shields, antennas. It automatically feeds and peels media from the liner and presents for pick-up. Most applications with media size 3x3 to 3x28mm (width x length) can be picked with standard nozzles. Customer configurations available for < 3mm applications. Platform for up to 58x50mm (width x length) also available. Simple. Easy to use user interface with push button controls. User serviceable modular design.



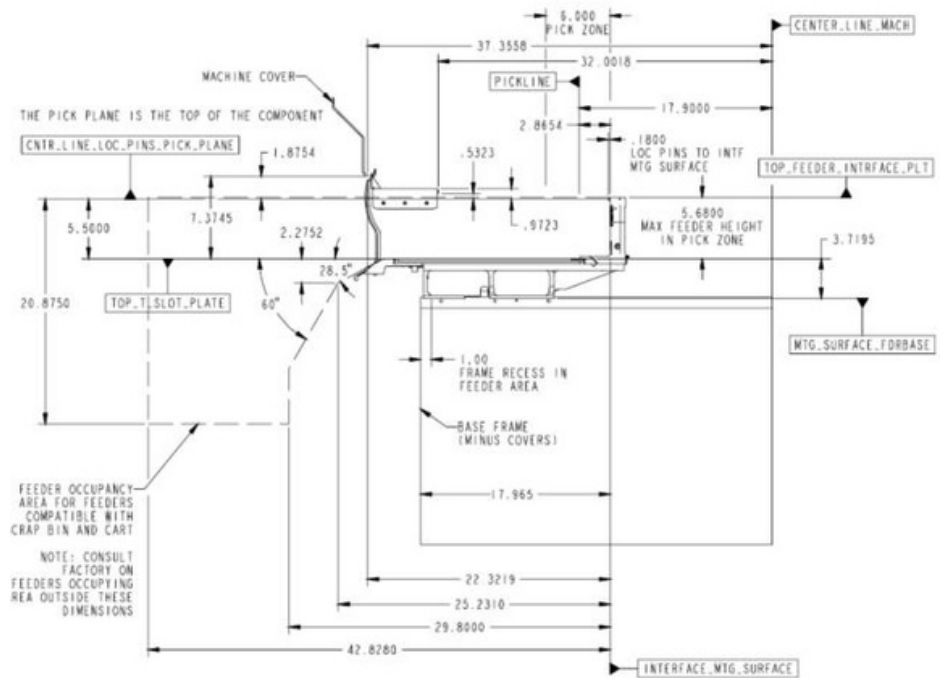
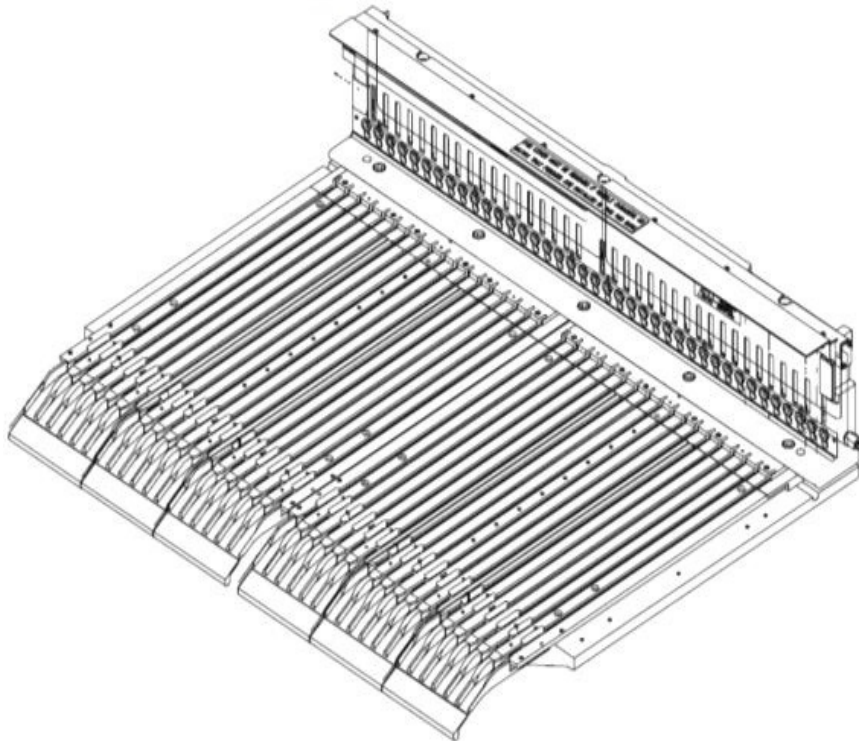
SOLDER PREFORM FEEDER RTS-103

The use of the solder plate is to add thickness to some components that require more solder (3 pins transistors, USB jack pins, etc.) - PCB will still undergo a normal solder paste printing process and these solder plates will be mounted- ed by pick and place machines (a little off-set to the pad with solder paste on it). The component will also be mounted on the pad.

The purpose of the feeder is to lessen the cost by taking out costings on component reels or other solutions that is currently implemented in the SMT production process.



Feeder Interface Drawings





WELCOME INQUIRY

Please visit

www.smthelp.com

Find us more

<https://www.facebook.com/autoinsertion>

Know more our team

<https://cn.linkedin.com/in/smtsupplier>

Welcome to our factory in Shenzhen China

See more machine working videos, please Youtube

[Auto Insertion](#)

Google

Auto+insertion, to get more informations

Looking forward to your email

info@smthelp.com