

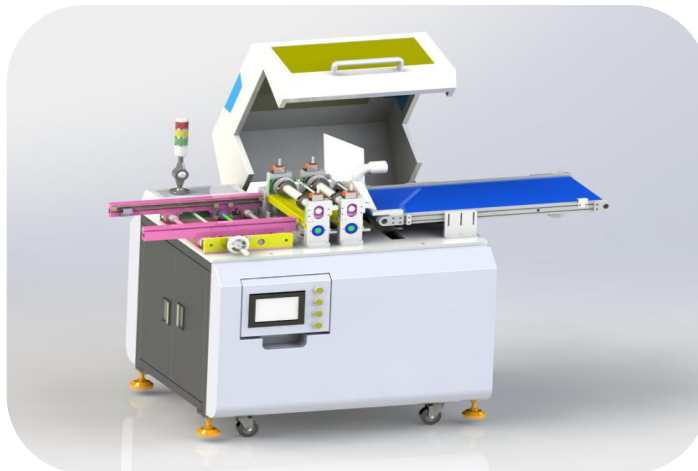
Modular Design:

**Model: SC-912**



**One Set Cutter**

**Model: SC-924**



**Two Set Cutter**

**Model: SC-936**



**Three Set Cutter**

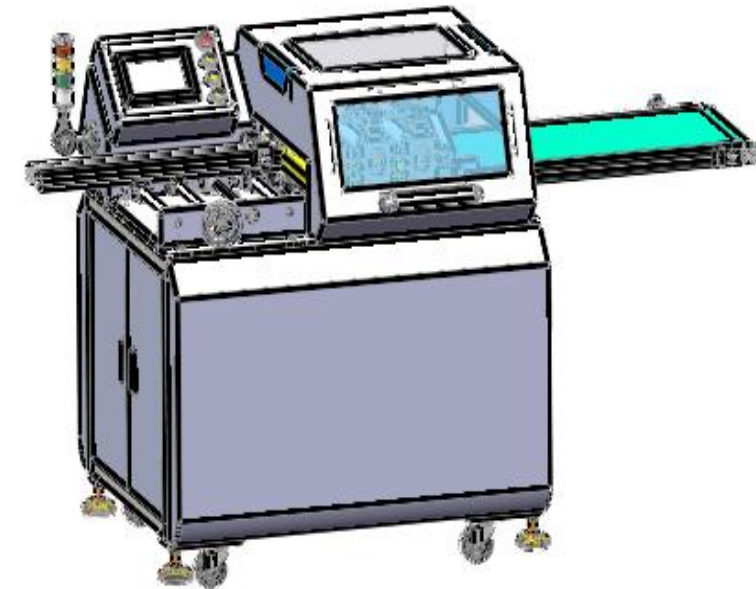
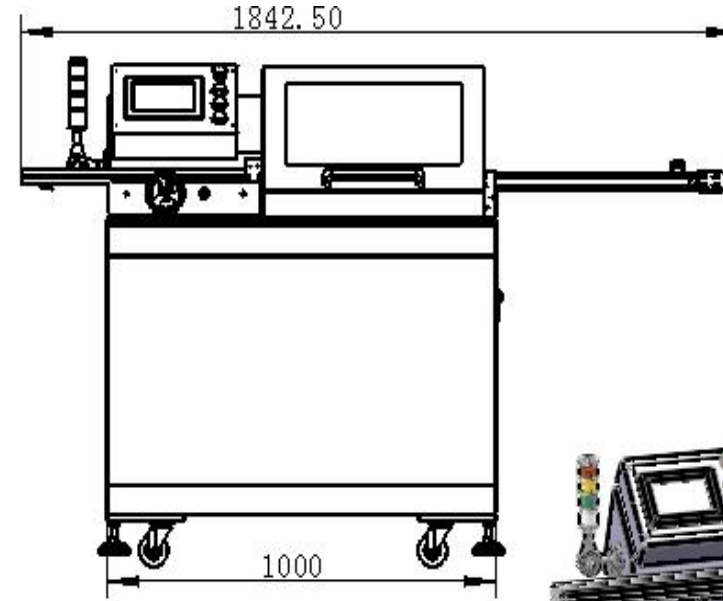
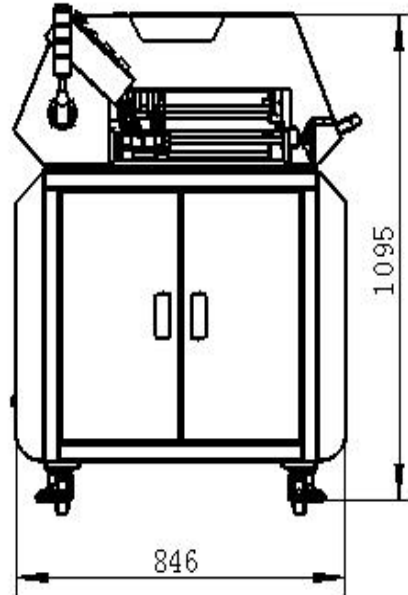
## Machine Dimensions: SC-924

1. Improve production efficiency and reduce costs

2. Simple operation, requiring few skilled workers and reducing training costs

3. Safe and reliable, reducing the probability of accidents

4. Save space and reduce handling and storage difficulties



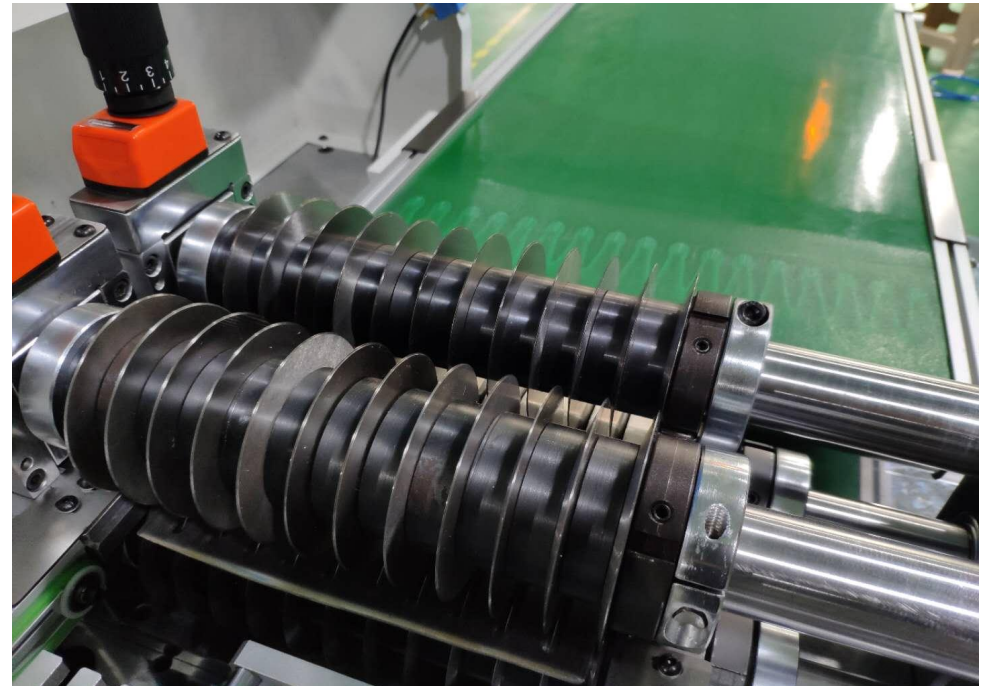
### **Advantages:**

- 1. It can divide the whole board at one time, and can be connected with upper and lower triggers to realize unmanned operation.**
- 2. Installation is convenient, operation setting is simple, can save many employees, save time and effort.**
- 3. It takes up little space and saves working time to the greatest extent.**

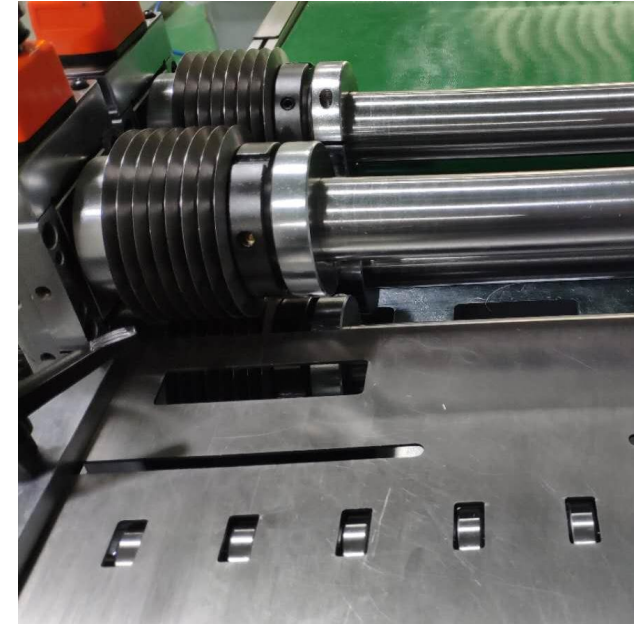
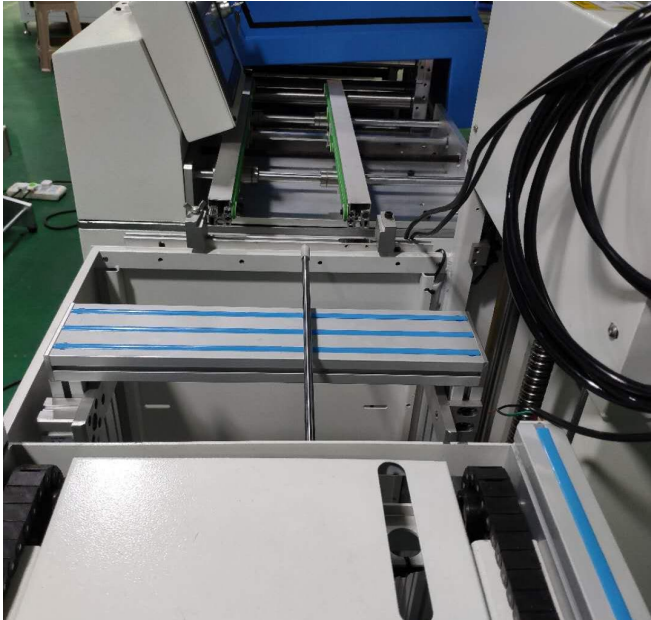


### **Features:**

- 1. High positioning accuracy**
- 2. Low cutting stress**
- 3. Door open protection device, high safety performance**
- 4. Automatic board feeding and cutting, higher efficiency**
- 5. Can be connected with upper and lower triggers, saving labor**



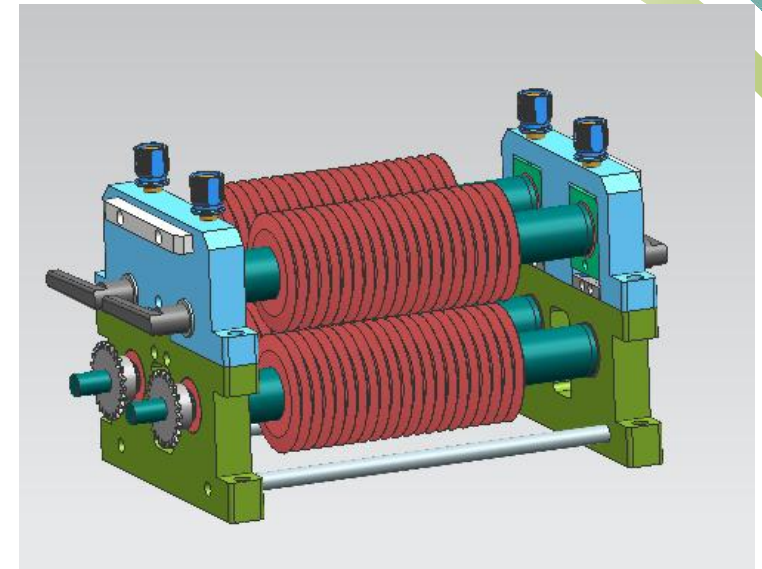
## *Mutil-Blades V-cut PCB separator*



- 1, SMEMA interface.**
- 2. Adapt to automated production lines, reduce and reduce manual work;**
- 3. A variety of feeding devices, adapting to product diversification and multi-functional equipment;**

## Specifications:

- Dimensions( L/W/H )** 1850mm×900mm×1100mm
- Blade size** Round blade  $\varphi 80\text{mm} \times \varphi 35\text{mm} \times 3\text{mm}$
- Blade material** Imported high quality high speed steel SKD11
- Blade brand** Chuan Yi
- Board thickness** 0.5-3mm board thickness (V-CUT depth, one third of board thickness)
- Blade life** About 3 million times
- Board length** 50mm- $\infty$ mm
- Board speed** 300mm-500mm/s (Variable speed motor, adjustable speed)
- Board width** 50mm-300mm
- Working pressure** 0.5-0.8map
- Working voltage** 220V/110V optional
- Equipment power** 200W
- Total weight** About 160kg



# Mutil-Blades V-cut PCB separator machine Working Video



# WELCOME INQUIRY

Please visit

[www.smthelp.com](http://www.smthelp.com)

Find us more

<https://www.facebook.com/autoinsertion>

Know more our team

<https://cn.linkedin.com/in/smtsupplier>

Welcome to our factory in Shenzhen China

See more machine working video, please Youtube [Auto Insertion](#)

Google

Auto+insertion, to get more informations

Looking forward to your email

[info@smthelp.com](mailto:info@smthelp.com)