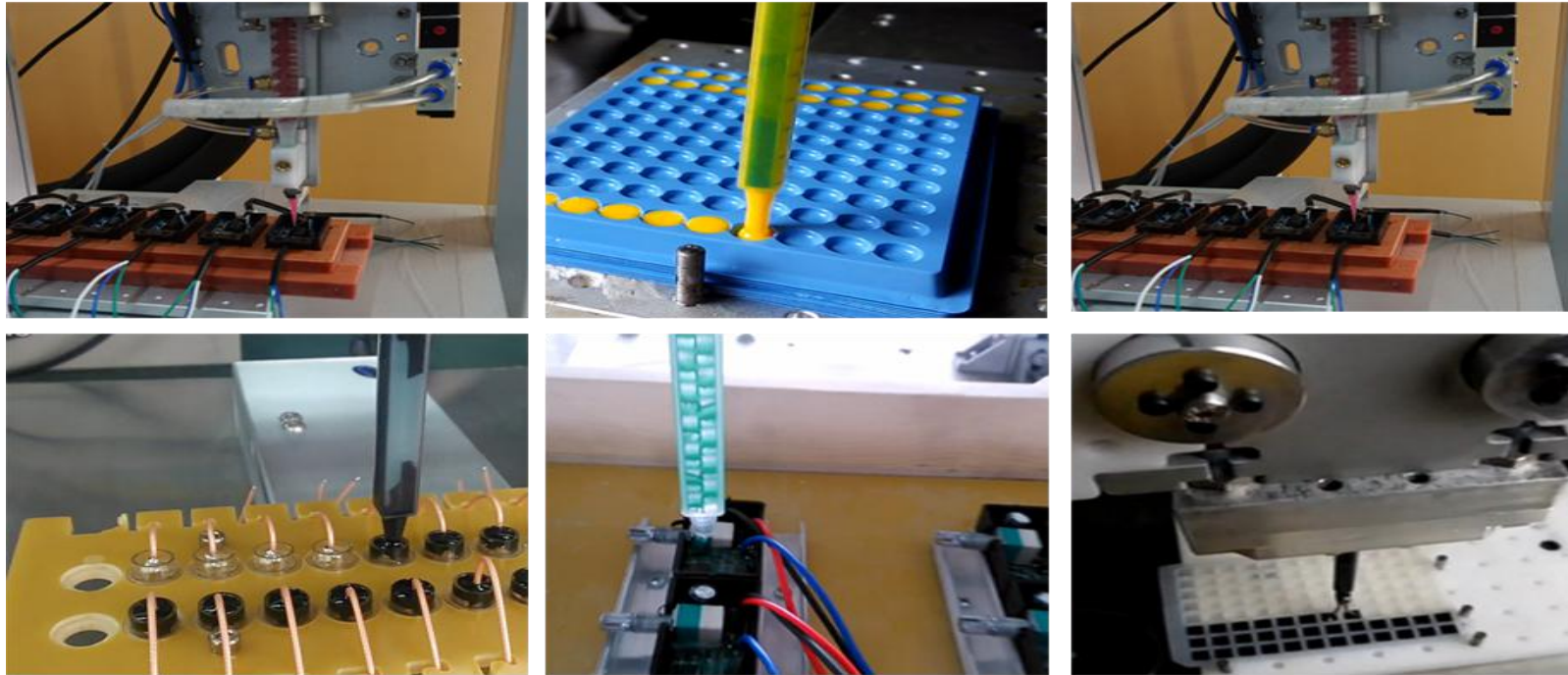




Features

1. Automatic metering and mixing, touch screen PLC control system, English operation interface allow easy to set parameters;
2. Big LCD screen displays various processing data;
3. Easy programming of dots, stripes, arcs, compound arcs, and patterns on different planes;
4. Gluing speed and timing can be set;
5. CAD file can be imported and turned to be dispensing patterns, and downloaded via USB; (optional function)
6. Mixing ratio 1:1-1:10 and gluing volume can be set and adjusted as per actual need. Dynamic mixing ensure two-component glue to be mixed to a fully homogeneous consistency;
7. Metering, mixing, and gluing simultaneously;
8. Two tanks keep A glue and B glue separately;
9. Liquid level sensor, alarm function;
10. Tank stirring and vacuum defoaming function optional;
11. Auto cleaning; The cleaning mode can be manually or automatically, manual mode just remove the mixing tube then soak into cleaning agent, after 10 min take out and clean with compressed air, Automatic mode only need to operate the cleaning switch on touch screen within 1 minute to complete;
12. Glue tank/metering pump/glue pipe heating function (optional);
13. Vacuum control keeps thin fluids from dripping;
14. Unique control system which will not be influenced by air pressure factor ensures optimal dispensing performance;
15. XYZ axis can be programmed to dispense glue along with desired patterns.

Application



epoxy resin AB glue



polyurethane resin AB

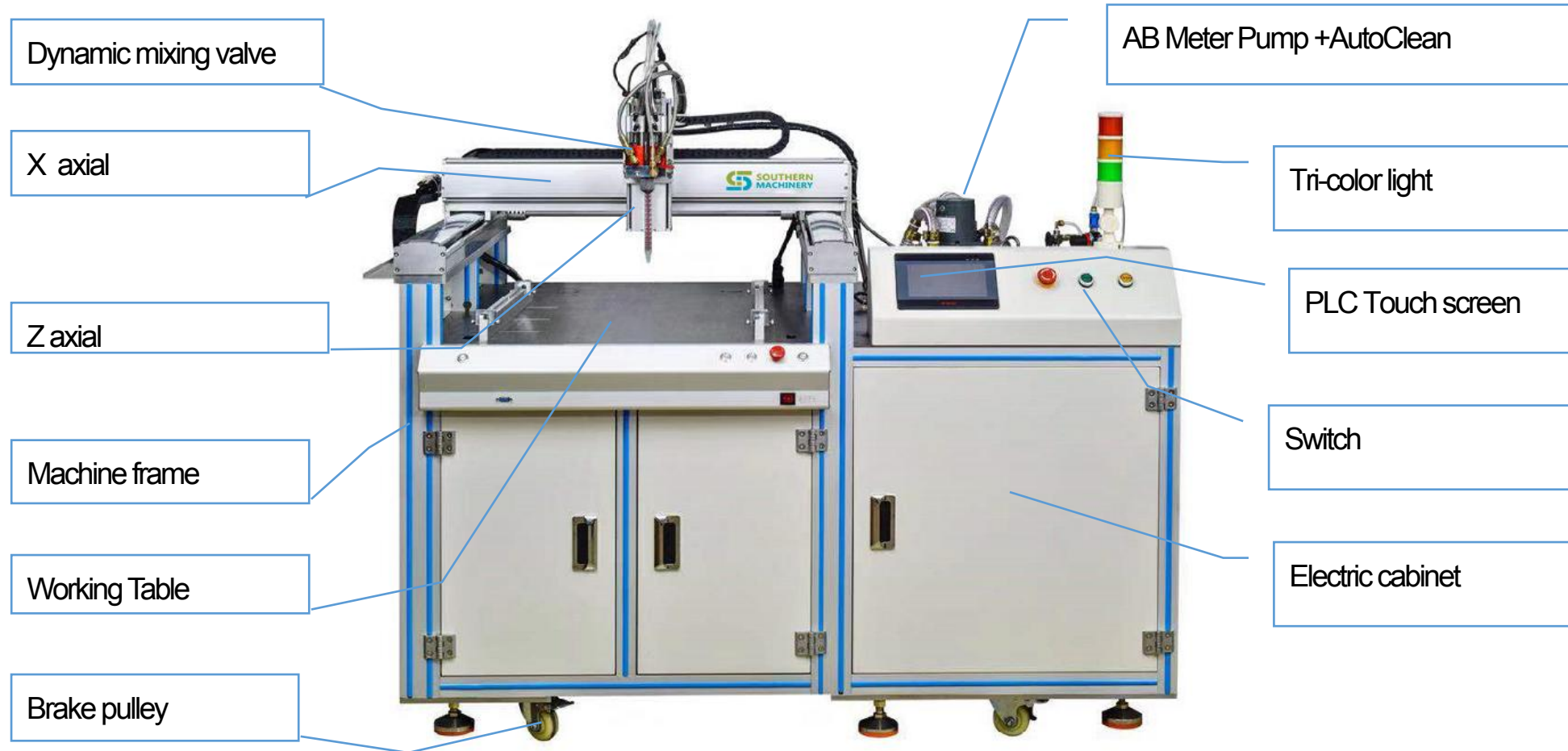


Organic silica gel AB

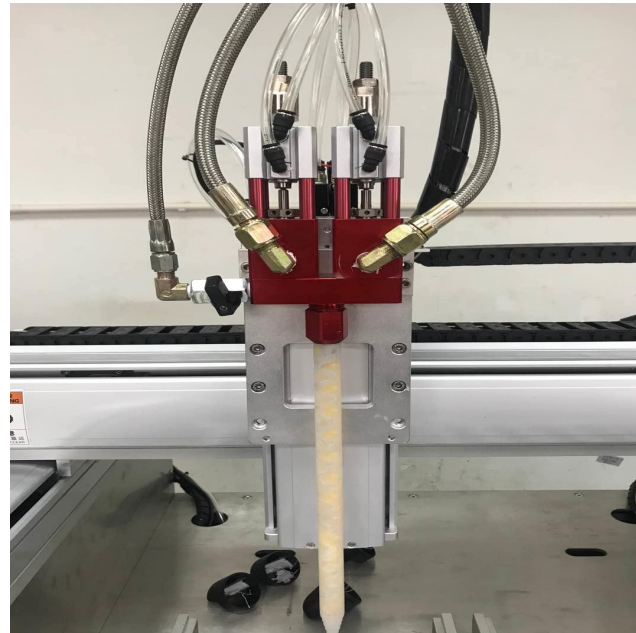
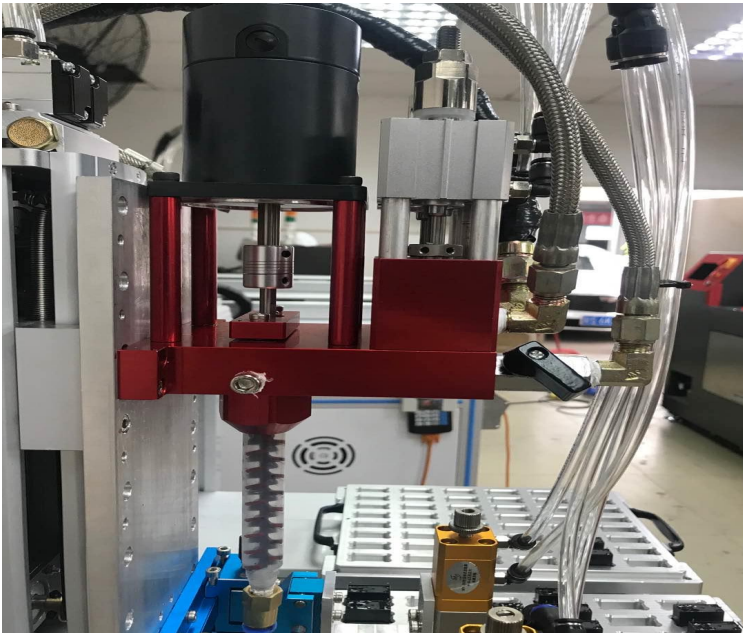


Styrofoam

Overall structure



Double liquid valve



Double liquid valve , High precision , durable and anti-abrasive: Multi-function, dynamic&static for option: easy to clean.

A B barrel



with the functions of anti precipitation/stirring, heating, automatic vacuumizing and glue auto adding.

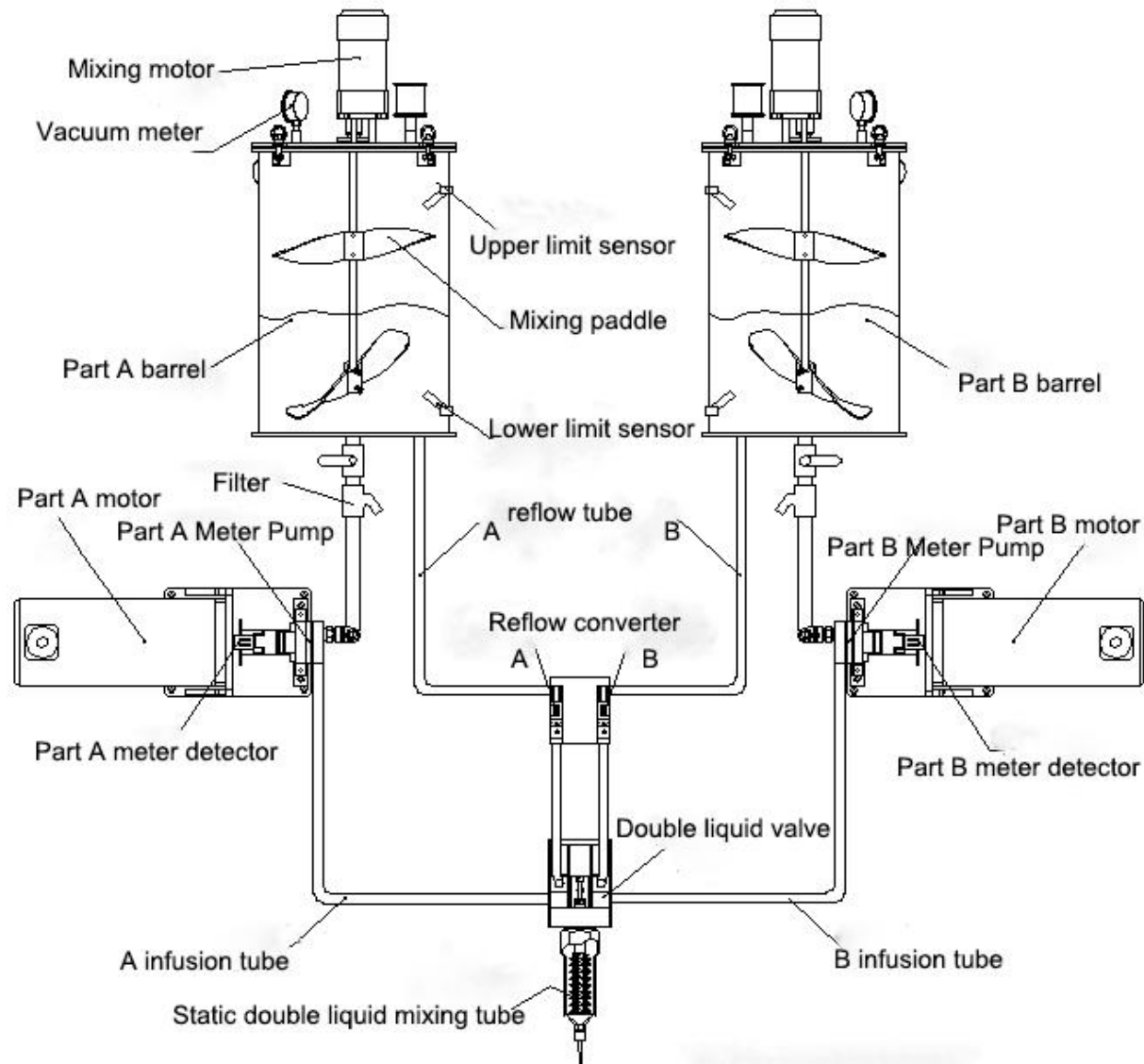
Optional to 30L or 8L
It can withstand positive and negative pressure

Vacuum pump



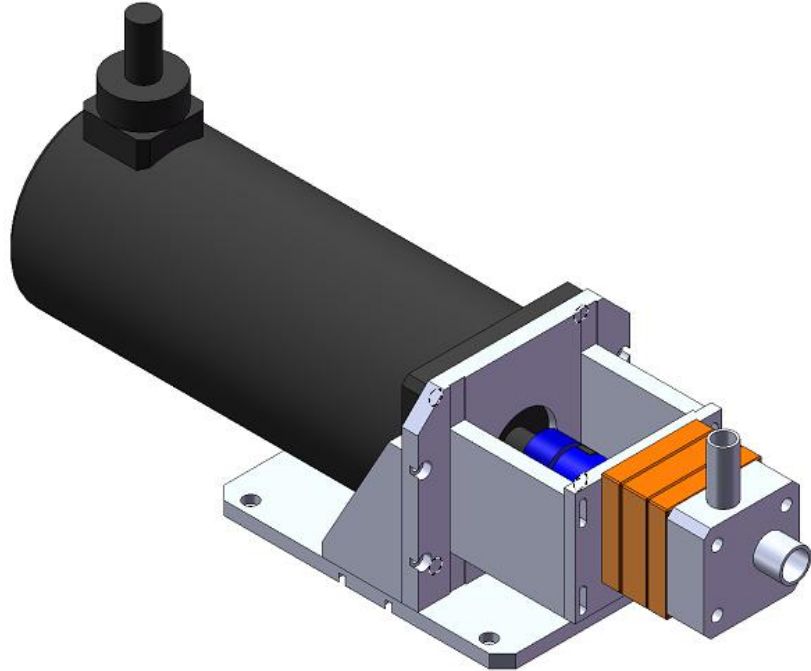
It has good stability, smokeless, oil-free and pollution-free. Small size, light weight, low noise, easy to start.

Control Principle



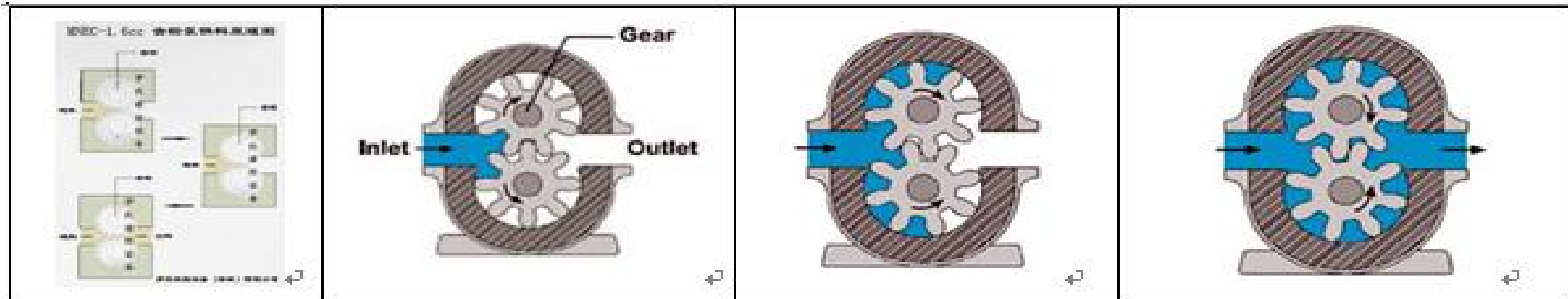
The control system controls the time, proportion and size of the manipulator's walking and dispensing. The glue mixing system completes the dispensing and conveying glue to the glue outlet head according to the command issued by the control system, and the three-axis motion platform completes the actions required by the program according to the command issued by the control system.

Principle of metering proportioning--gear pump



a. Gear pump is a new type of pump which works according to the principle of rotary meshing volume type. Through the matching stator and rotor screw, the fluid is continuously extruded when the rotor rotates. The material in the metering chamber is more squeezed, in this point, gear pump and piston pump have similar aspects

b. The main working parts are gear (rotor) and fixed bushing (stator). Due to the special geometry of the two parts, separate sealing chambers are formed. The flow of the medium is uniformly pushed along the axial direction. The internal flow rate is low and the volume remains unchanged



Specification

Application	Suitable for mixing, pouring and dispensing of two-component AB glue.	Working range	500(X)×500(Y)×100(Z)mm
Operation mode	Full automatic proportioning and quantitative dispensing	Maximum speed	500mm/sec
Measurement method	Stepper motor + gear pump / rotary piston pump servo motor + piston pump	Proportioning accuracy	± 1.5%
Transmission mode	Micro stepping motor + synchronous belt (optional servo motor + ball screw)	Dispensing accuracy	± 1.5%
XYZ axis stepping motor	high precision micro stepping motor with driver	Positioning accuracy	0.02mm
Drum mixing system	one set / two sets (optional)	Mixing ratio	1:1
Guideway	Taiwan TBI / Shangyin	Dispensing speed	max glue output is 20g / S (adjustable)
Static mixing valve	dynamic mixing valve can be selected according to glue	Programming system	Teaching box
A/B barrel capacity	A: 10L, B:30L(with alarm function when glue isn't enough)	Power Supply	AC220V 50HZ 0.5KW
Rubber transport pipe	Teflon pipe	Work environment	Humidity 20-90% temperature 0-40 °C
Automatic glue filling software	Independent research and development	Input power	Full voltage AC110V ~ 220V
Control system	PLC + touch screen (digital input)	External control interface	RS232
Measurement method	Stepper motor + metering pump	Dimension	2180 (L) *1170 (W) *1600 (H) mm
Transmission mode	Stepper motor + guide rail	Weight	130kg

WELCOME INQUIRY

Please visit

www.smthelp.com

Find us more

<https://www.facebook.com/autoinsertion>

Know more our team

<https://cn.linkedin.com/in/smtsupplier>

Welcome to our factory in Shenzhen China

See more machine working video, please Youtube [Auto Insertion](#)

Google

Auto+insertion, to get more informations

Looking forward to your email

info@smthelp.com