

Production

Using advanced AI computing systems and high-speed industrial line array cameras, high-speed visual sensors are used to scan moving objects line by line to obtain product projection images. The high-speed scanning accurately calculates the number of materials and automatically packages them according to the required quantity for quantitative counting. This machine completes all tasks such as bag making, filling, sealing, printing batch numbers (optional coding machine is required), cutting, etc.

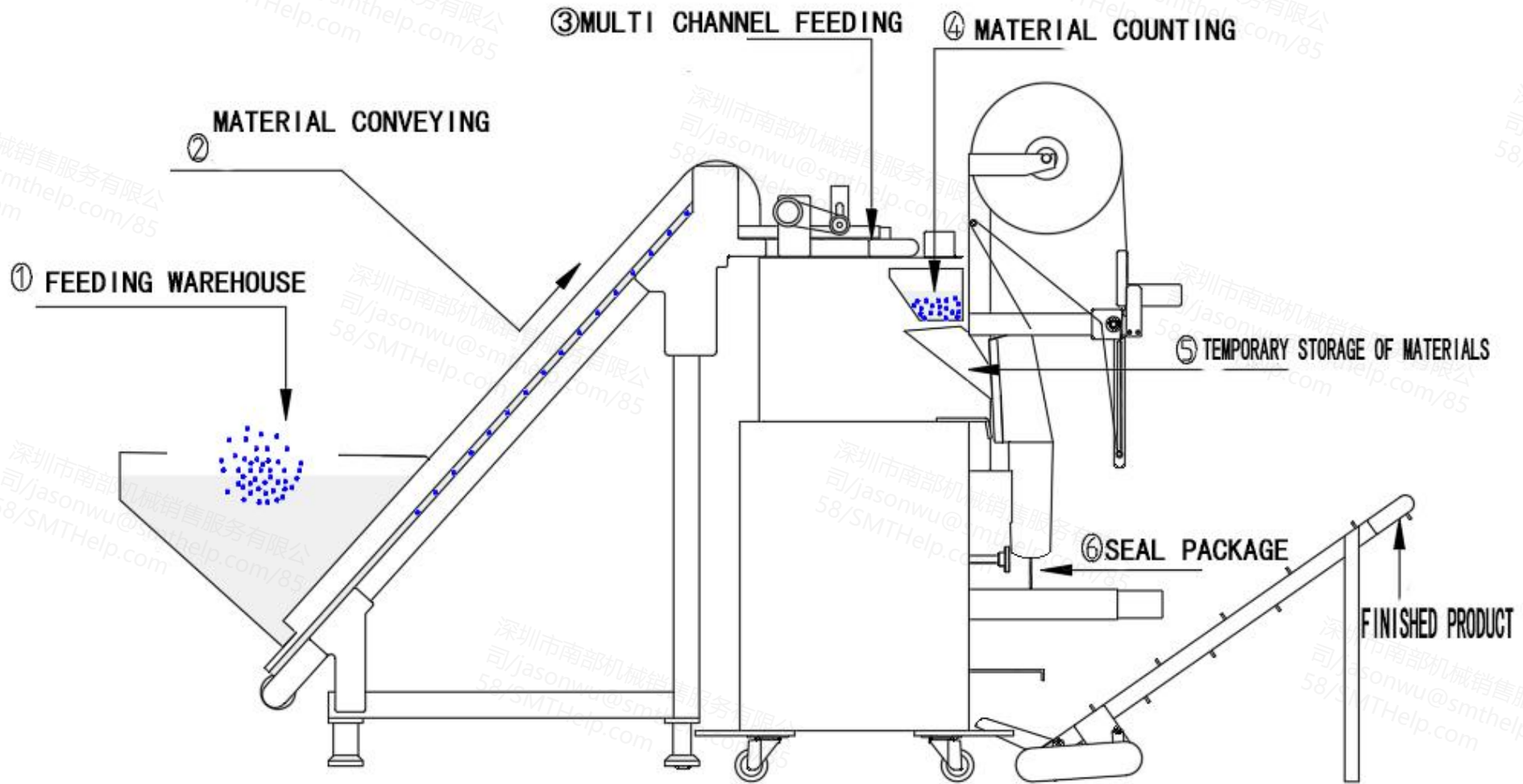


Basic parameters

Model	LS-350
Bag width	Max350mm
Bag length	30-500mm
packaging	CPP、OPP、PE、PV
Film thickness	0.5-0.8mm
speed	0-20 packs/min
Packaging bag style	Back seal、Three-side seal
Efficiency	8000-30000个/分钟
Size	3100x1200x1500mm
Monitor	21寸
power	1.5KW
Voltage	220V 50/60HZ
weight	400kg
Gas source	0.4-0.6Mpa

*说明：具体物料精度以实测为准，表格中适用尺寸并非绝对值，具体物料尺寸是否合适请咨询销售人员。此方案仅供前期参考，不作为设备验收依据。

Visual Counting Packaging Machine Layout



MULTI CHANNEL VERTICAL PACKAGING MACHINE

01 Scope of application: granular materials such as food, hardware, automotive accessories, connector terminals, clothing accessories, plastic rubber, crop seeds, etc

02 Performance characteristics

1. Vertical design saves factory space and improves space utilization.
2. The bag has strong versatility: 150–350mm bag width.
3. Low cost of environmentally friendly PE film consumables: suitable for film thickness (0.05–0.08mm).
4. Coding function: Supports instant labeling or heat transfer coding (optional).
5. One click cleaning for quick material replacement, automatic cleaning followed by manual detection of the emptying situation before replacing with new materials.
6. Ready to use: Simply set the required parameters for the unit settings (filling amount, bag length, etc.). The touch system automatically optimizes and matches various actions to achieve optimal packaging speed.
7. Human machine interface, the counting machine adopts HMI industrial control computer, the system is Windows system, easy to operate, the machine can save 100 types of product information, and can be randomly switched for production.
8. Increase the size of the material bin, automatically discharge materials, and make manual labor more effortless.
9. The whole machine adopts a stainless steel frame, which is stable and durable.
10. This mechanism includes all tasks such as bagging, filling, sealing, printing batch numbers (with optional coding machine), cutting, etc.
11. Intelligent temperature controller control; The seal is firm and the packaging is exquisite.
12. The photoelectric detection system is stable and reliable, ensuring the appearance is intact and the trademark of the packaging bag is intact.

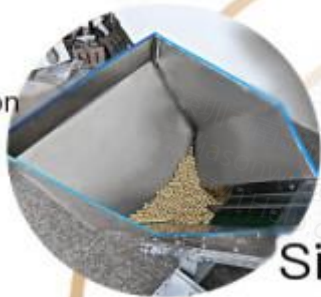
深圳市南部机械销售服务有限公司
司/jasonwu@smthelp.com/85
58/SMTHelp.com

深圳市南部机械销售服务有限公司
司/jasonwu@smthelp.com/85
58/SMTHelp.com

深圳市南部机械销售服务有限公司
司/jasonwu@smthelp.com/85
58/SMTHelp.com

6. Humanization

Unique large capacity hopper, labor-saving and efficient



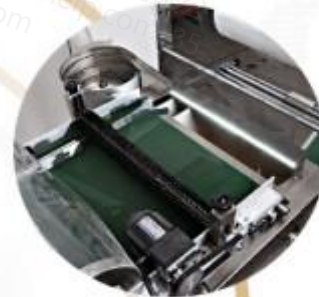
5. Durability

The overall body is made of stainless steel material, which is durable and long-lasting



1. Accuracy

Ensure precise measurement for each package, with an accuracy rate of 99.99%



2. Intelligence

AI intelligent system, fully servp motor control for mechanical equipment operation



3. Simplification

Artificial intelligence system, fully intelligent touch screen for real-time monitoring of packaging process



4. Stability

Using high carbon steel saw bars, durable and deformation free

Six advantages of artificial intelligence devices

深圳市南部机械销售服务有限公司
司/jasonwu@smthelp.com/85
58/SMTHelp.com

深圳市南部机械销售服务有限公司
司/jasonwu@smthelp.com/85
58/SMTHelp.com

深圳市南部机械销售服务有限公司
司/jasonwu@smthelp.com/85
58/SMTHelp.com

深圳市南部机械销售服务有限公司
司/jasonwu@smthelp.com/85
58/SMTHelp.com

Visual Counting Packaging Machine

- **7x24 Worldwide Support**
- **Free Installation/ Training**
- **1 day lead-time (spare parts)**
- **1 Month customize solution**



Welcome Inquiry

Please visit

www.smthelp.com

Find us more

<https://www.facebook.com/autoinsertion>

Know more our team

<https://www.linkedin.com/company/smtmachine>

Welcome to our factory in Shenzhen China

See more machine working video, please Youtube

<https://www.youtube.com/c/Smthelping>

Google

Auto+insertion, to get more information

Looking forward to your email

info@smthelp.com