

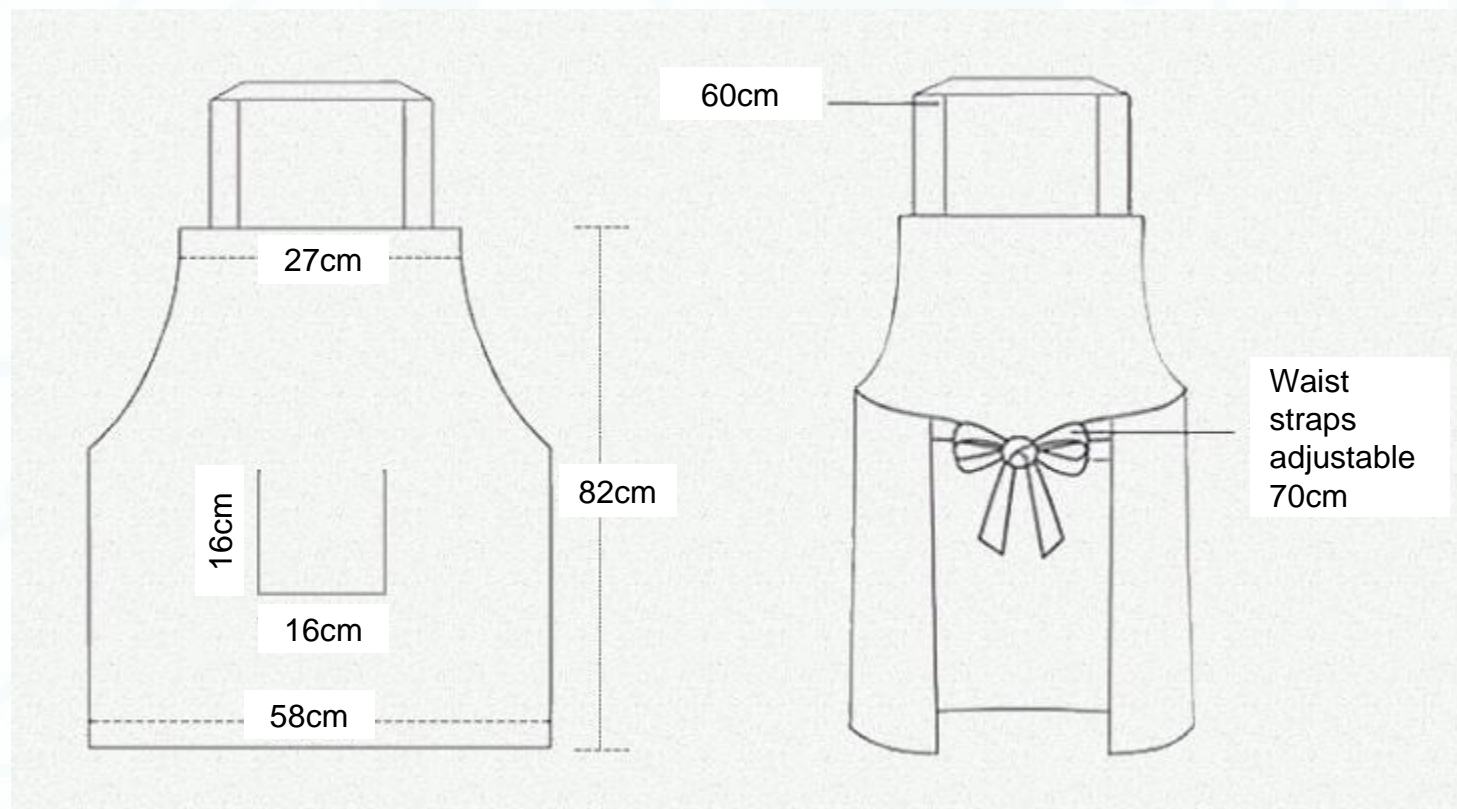
ESD Apron

- This type of apron is anti-static(ESD), especially produced for SMT EMS company.
- It can be used to protect workers at the workshop. Dust-proof; Non-flammable.
- With one universal size adjustable, it is suitable for both male and female.

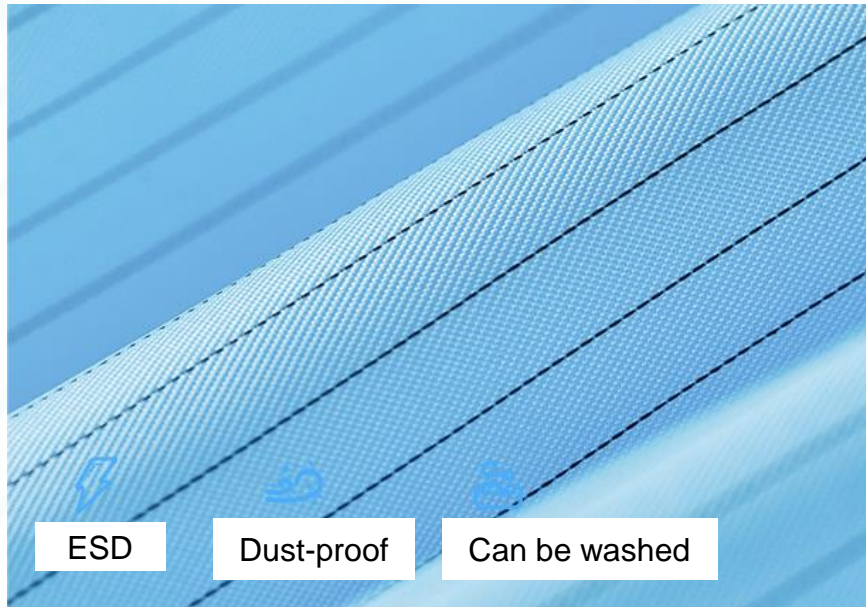


Specification

Brand/model	Southern Machinery: AP82
Name:	ESD Apron
Raw Material	Polyester
Surface Resistance	10^6 - $10^8\Omega$
Color	White / blue / yellow / pink / navy blue.



Details



Pocket for tool kits storage.



Pocket

Workers can wear it at these occasions.



Assembly



PCB soldering



**SMT machine
production line**



**THT manual
production line**

Best After-sales service

- **7x24 Worldwide Support**
- **Free Installation/ Training**
- **1 day lead-time (spare parts)**
- **1 Month customize solution**



WELCOME INQUIRY

Please visit

www.smthelp.com

Find us more

<https://www.facebook.com/autoinsertion>

Know more our team

<https://cn.linkedin.com/in/smtsupplier>

Welcome to our factory in Shenzhen China

See more machine working video, please Youtube Auto Insertion

Google

Auto+insertion, to get more information

Looking forward to your email

yis@smthelp.com