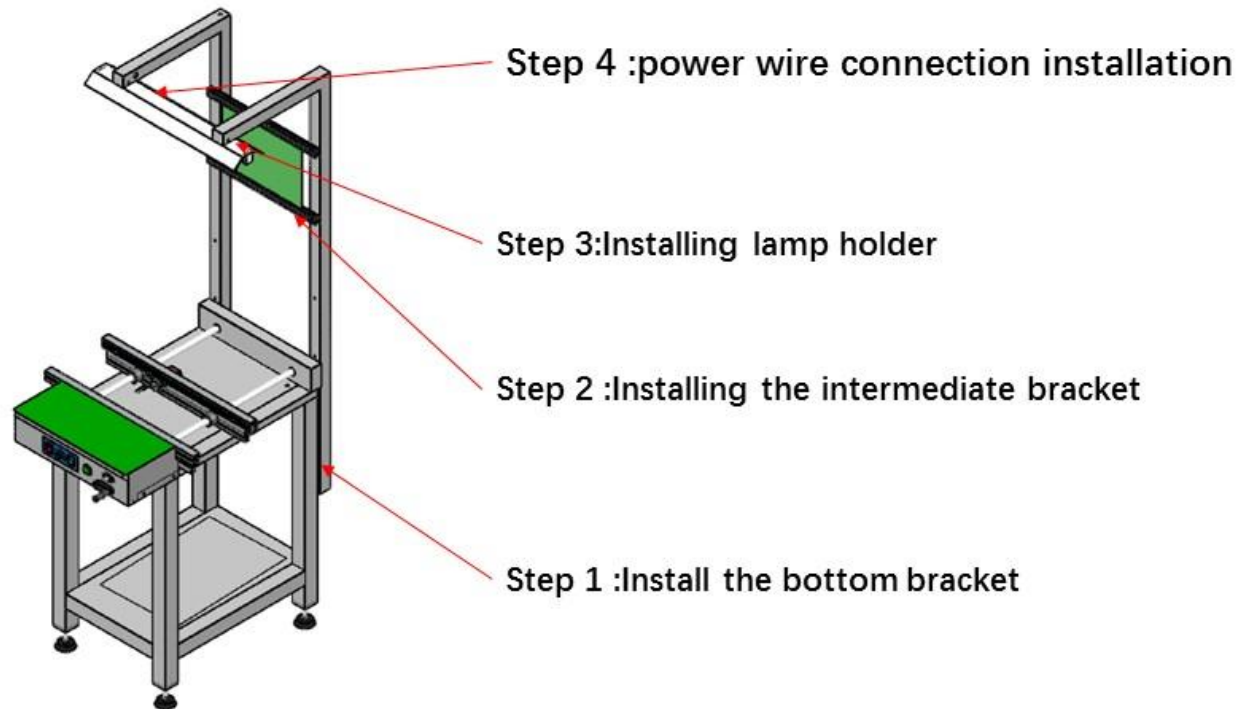
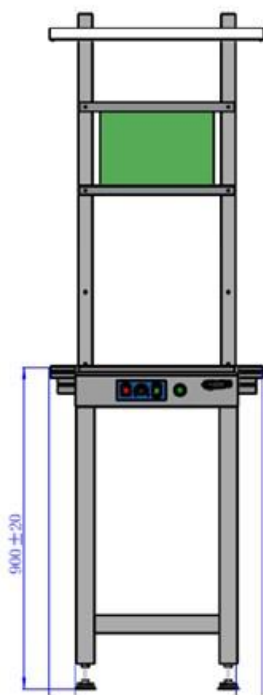


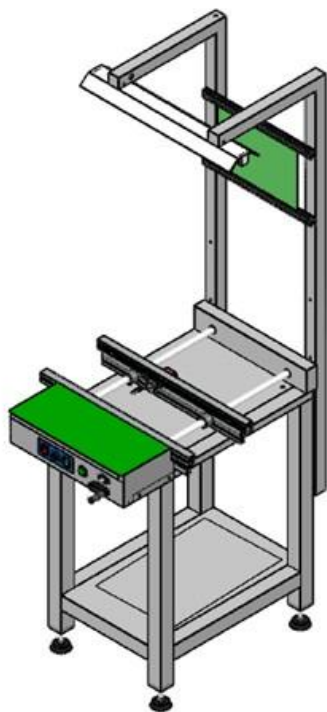


- 1, Please visit : www.smthelp.com
- 2, Find us more: <https://www.facebook.com/autoinsertion>
- 3, Know more our team: <https://www.linkedin.com/in/ming-gan118/>
- 4, Welcome to our factory in Shenzhen China
- 5, See more video in Youtube: Auto+Insertion
- 4, Looking for more informations: ming@smthelp.com
5. Wechat/Whatsapp/skype: +86 18126316729

Conveyor Lighting Stand Installation Instructions

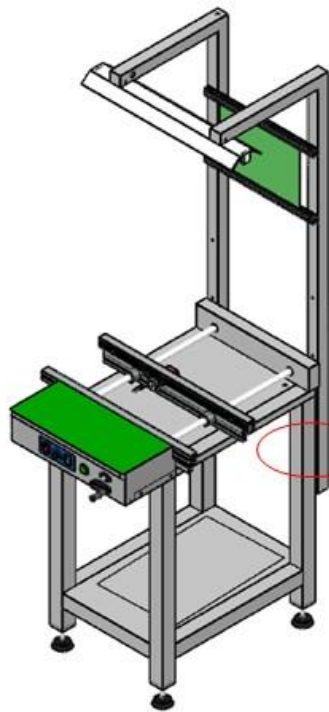


Detailed list of accessories



| Item | Name | size | Quantity |
|------|-------------------------|-------|----------|
| 1 | 1.A4 Hard rubber sleeve | A4 | 1 |
| 2 | Energy saving lamp | 1.2M | 1 |
| 3 | intermediate bracket | 1.2M | 2 |
| 4 | Square light stand | 1.2M | 2 |
| 5 | M6x65 screws | M6x65 | 4 |
| 6 | M6x50 screws | M6x50 | 2 |
| 7 | M4x20 screws | M4x20 | 4 |
| 8 | M4x10 screws | M4x10 | 2 |
| 9 | Light Power wire | 1M | 2 |
| 10 | Top bracket | 1.09M | 1 |

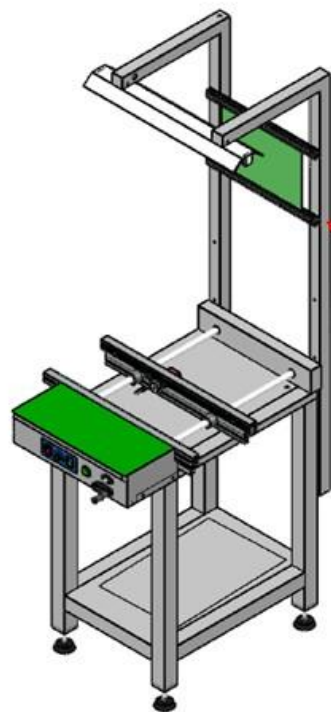
Step 1 :Install the bottom bracket



Secure the base bracket with 4 M6x65 screws
2 Square light stand

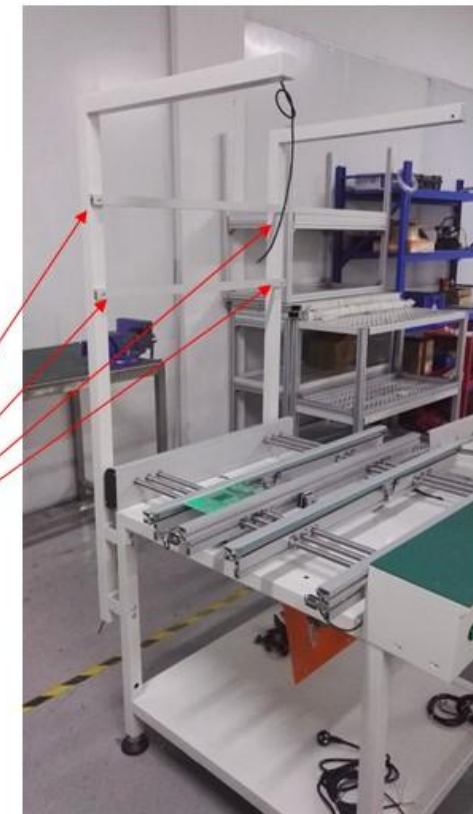
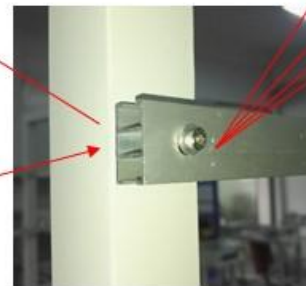


Step 2 :Installing the intermediate bracket



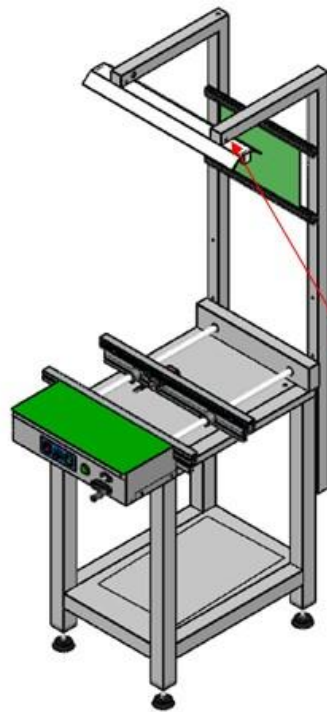
Secure the intermediate bracket with 4
M4x20 screws

Length 1.2m bracket



Step 3: Installing lamp holder

3.1 Use two M6X50 screws on the top to mount a 1.09 m bracket.



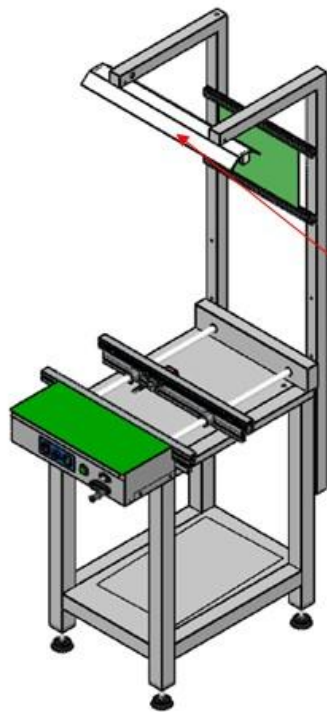
Top bracket



Length 1.09 m bracket

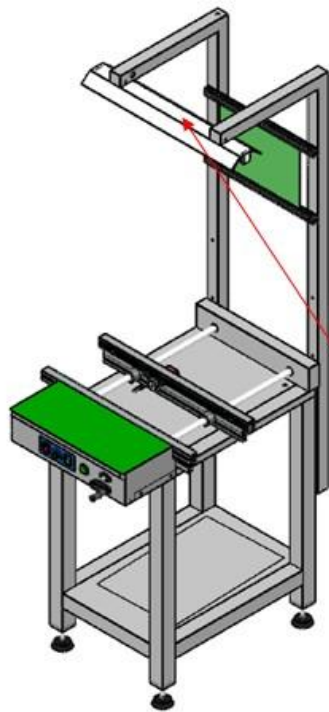
Step 3: Installing lamp holder

3.2 Lamp holder connector installation method



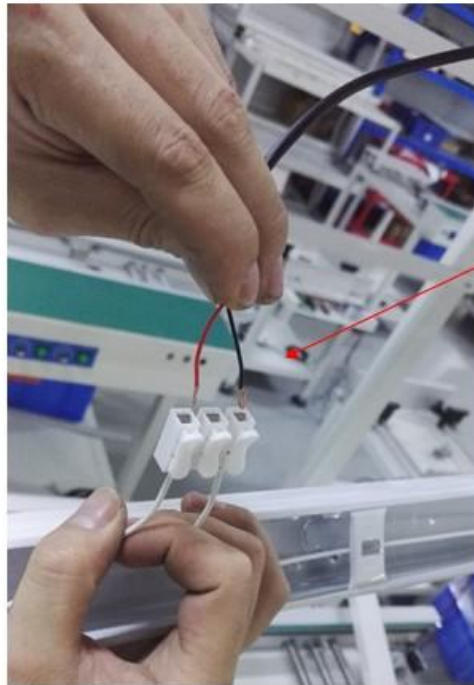
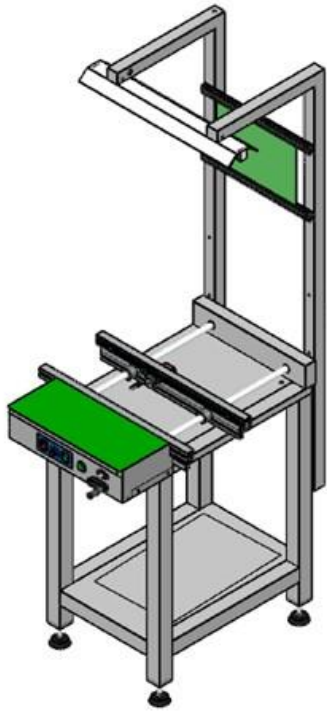
Step 3: Installing lamp holder

3.3 Fix the lamp holder to the bracket with M4X10 screws

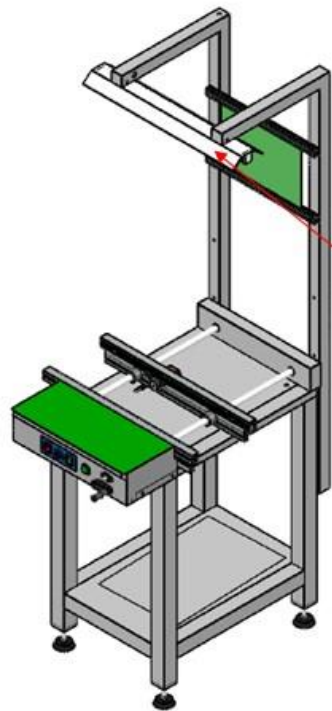


Step 3: Installing lamp holder

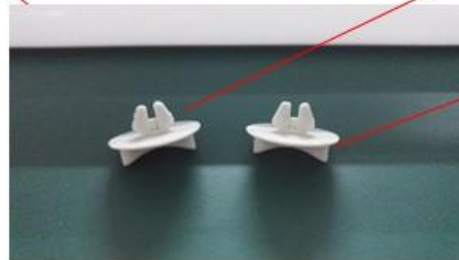
3.4 Light 110V power cable connection



Step 3: Installing lamp holder

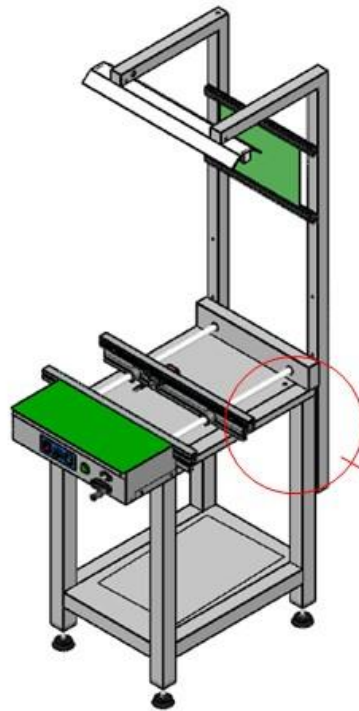


3.5 Lamp cover



Step 4 :power wire connection installation

4.1, originally with a light, the machine has a terminal inside,
you can directly connect the lamp holder power

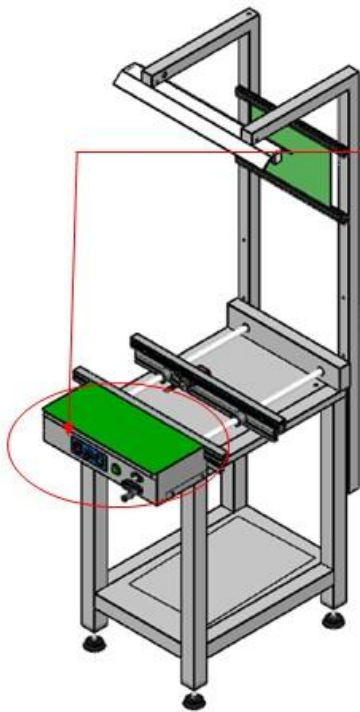


the machine has
a terminal inside



Step 4 : power wire connection installation

4.2, originally without a light, the new light stand, should be directly connected to the internal power supply terminal block



Use new wire connection

Red wire to L, black wire to N

